

PHONE mount extension

CONSTRUCTION MANUAL



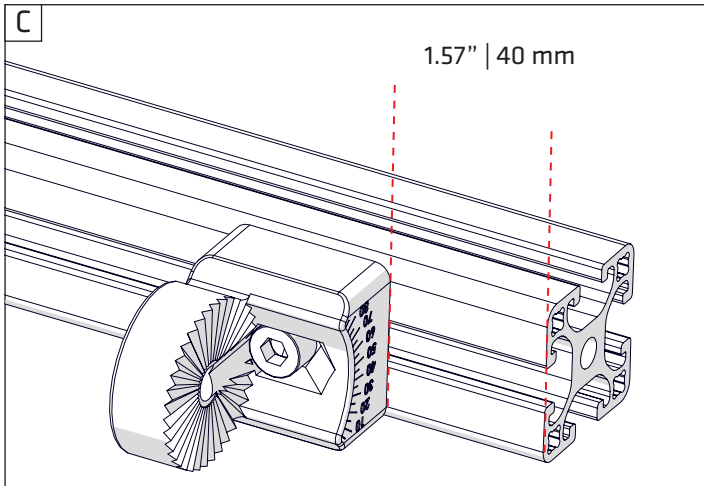
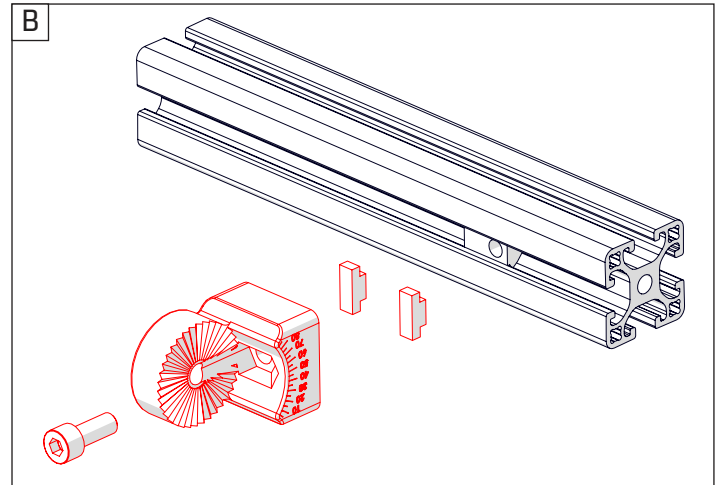
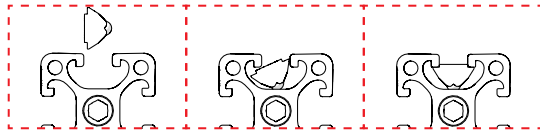
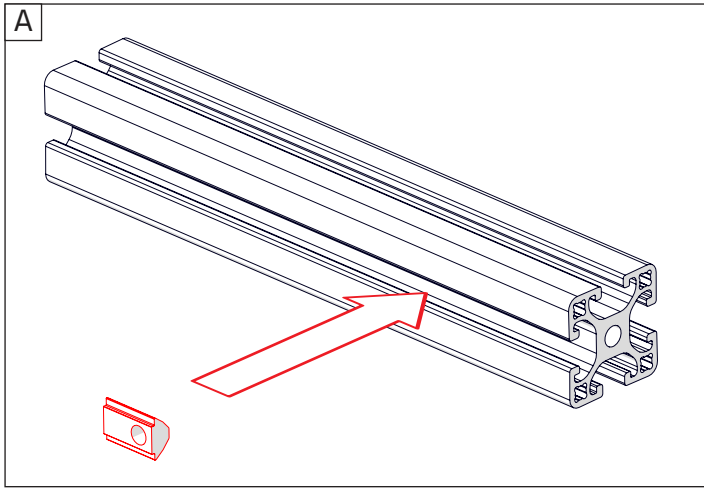
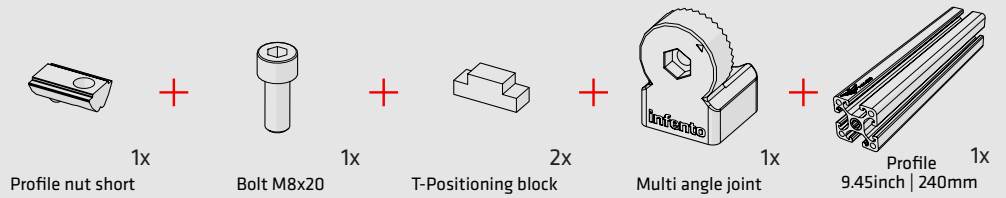
Time to build 25 min



1

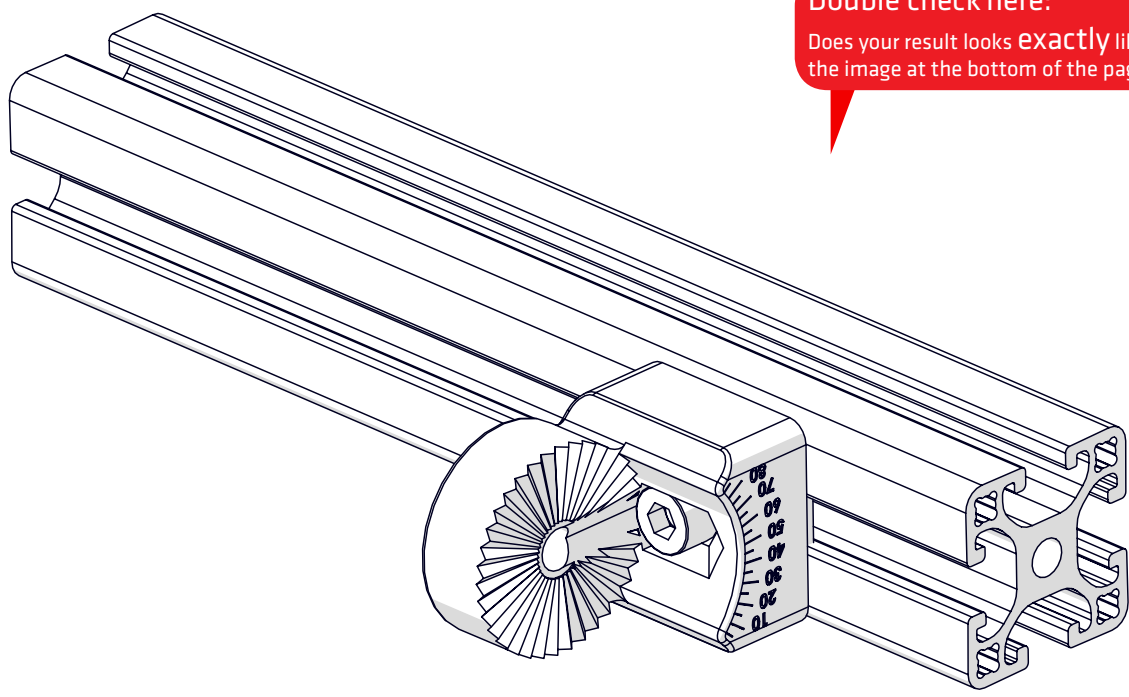
Phone mount extension

First, get all required materials stated here and then follow the instructions.



Tighten the bolts with full force. Ensure that you hold the long side of the Allen key in your hand as this enables you to exert greater force.

Double check here: Does your result looks **exactly** like the image at the bottom of the page?

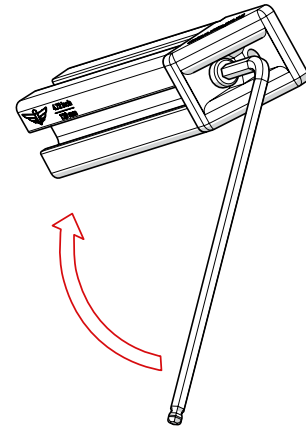


TOP 3 REQUIREMENTS MAKING A GREAT INFENTO EXPERIENCE:



1

Tighten bolts with full force (15Nm) to prevent them from coming loose.



2

Constructing and playing always under supervision of an adult.



3

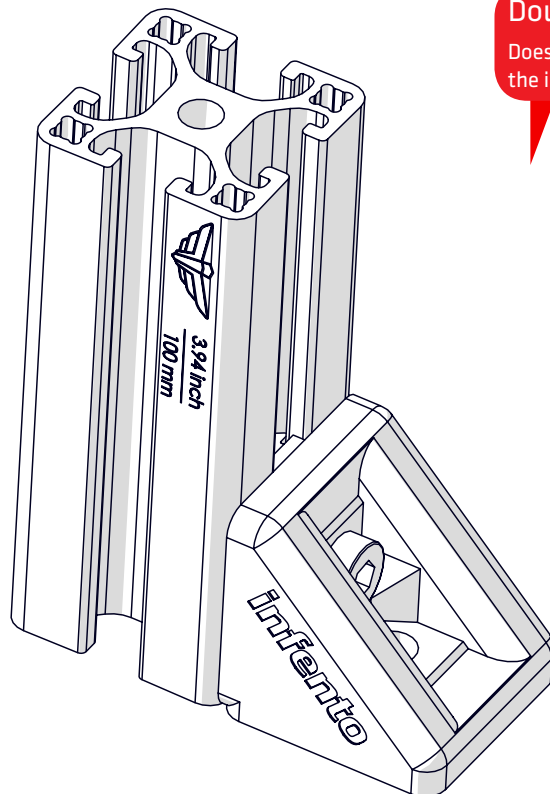
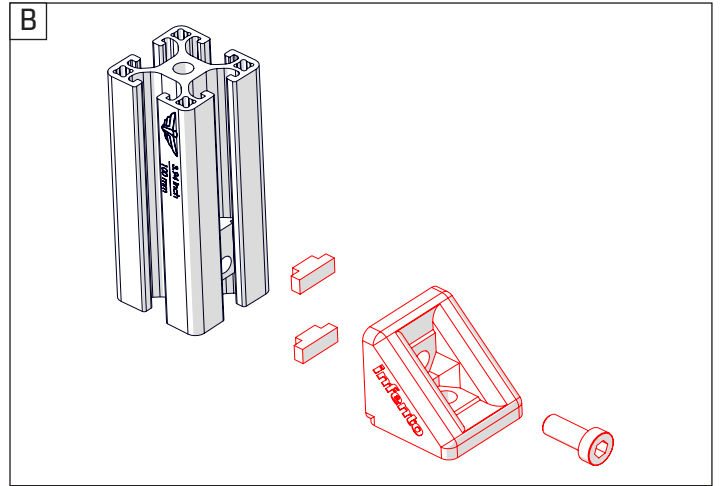
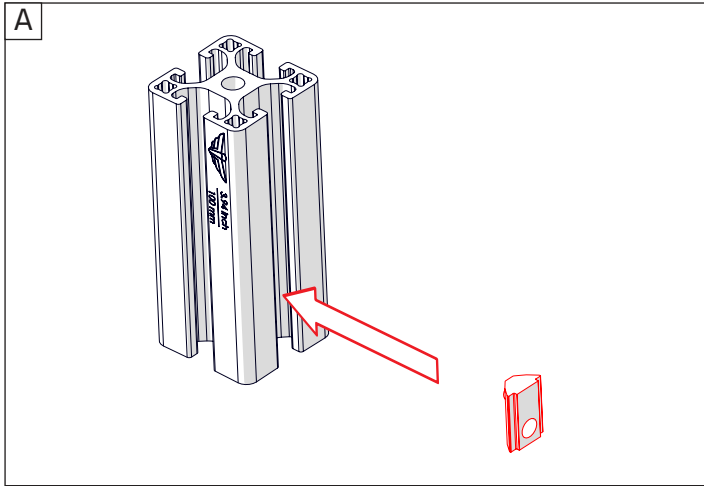
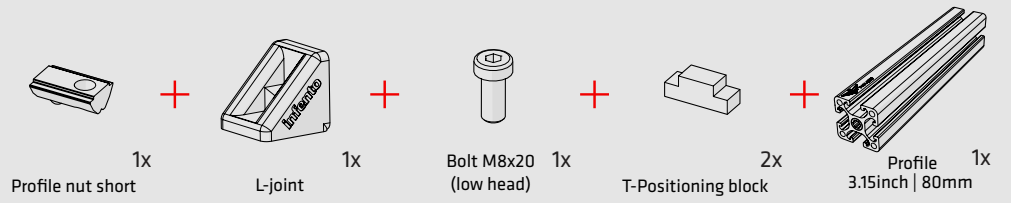
Check frequently if all parts are still firmly tightened and function properly.





2

Phone mount extension



Double check here:
Does your result look **exactly** like the image at the bottom of the page?



3

Phone mount extension



+



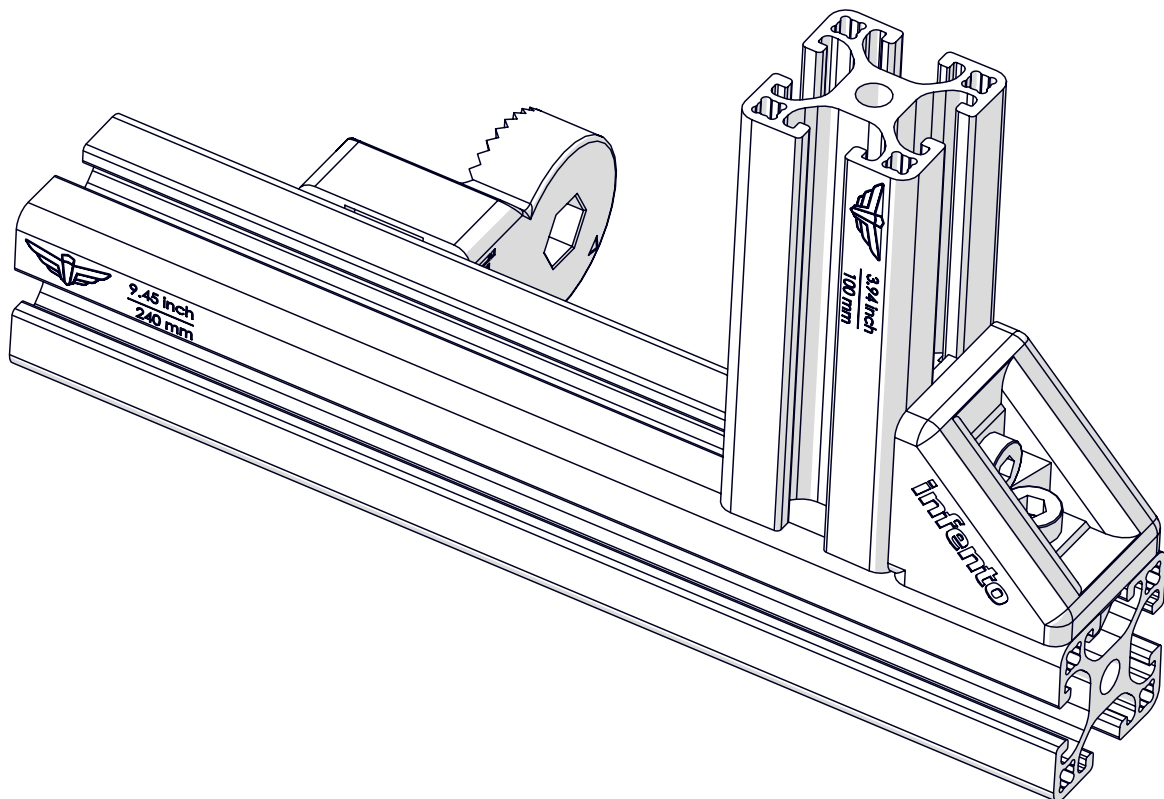
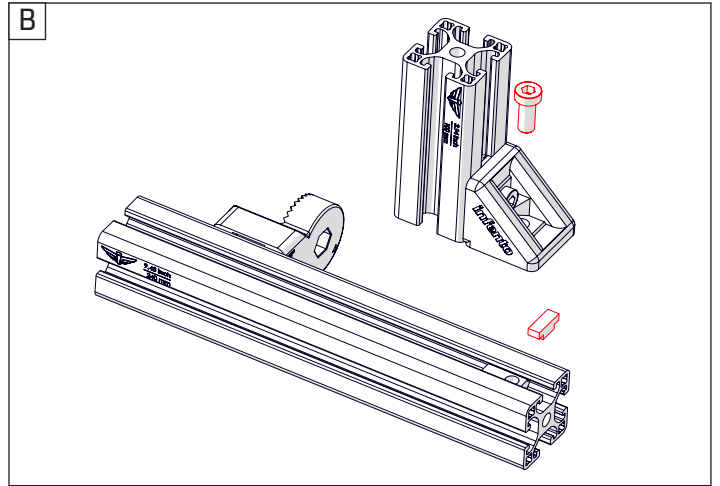
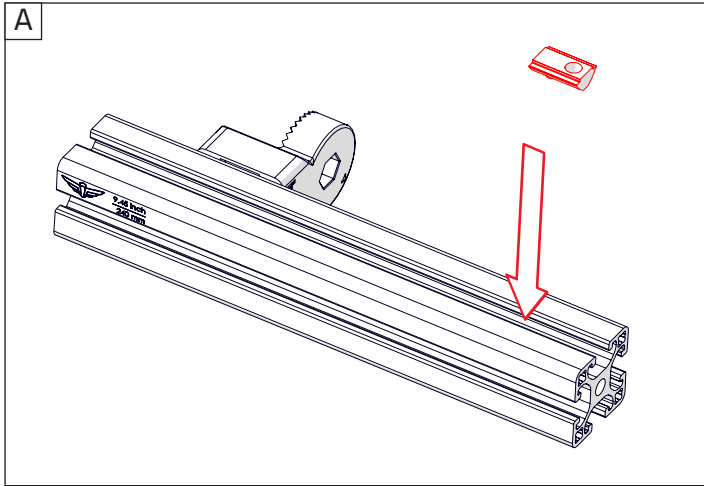
+



Bolt M8x20 1x
(low head)

T-Positioning block 1x

Profile nut short 1x





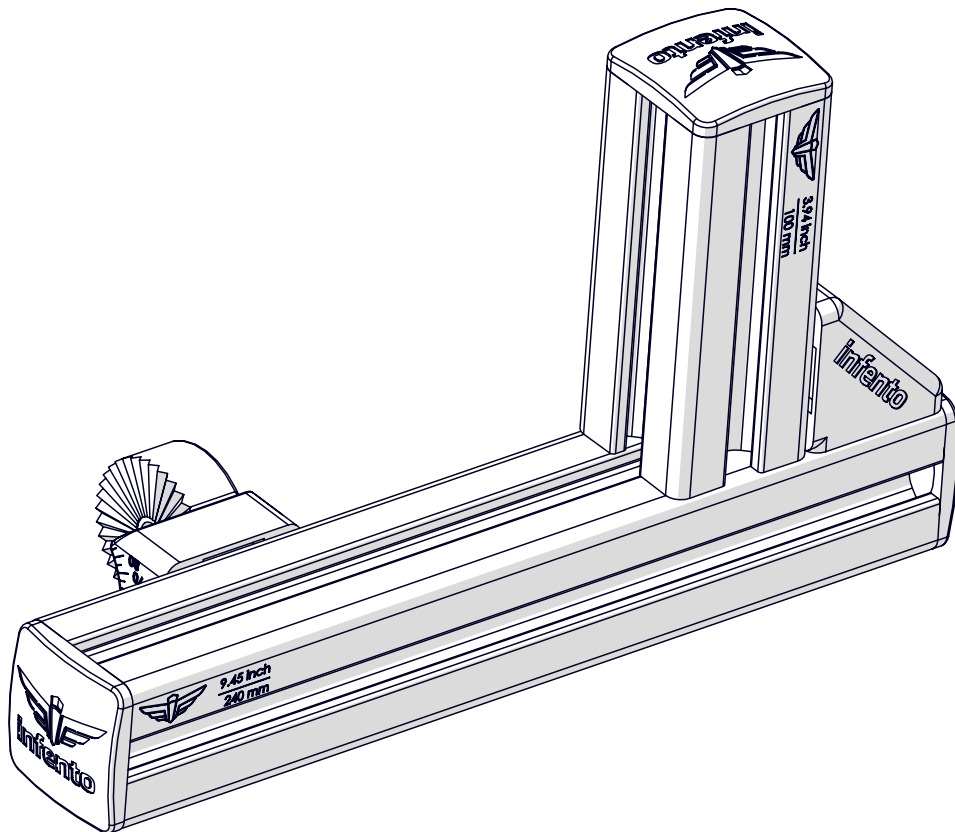
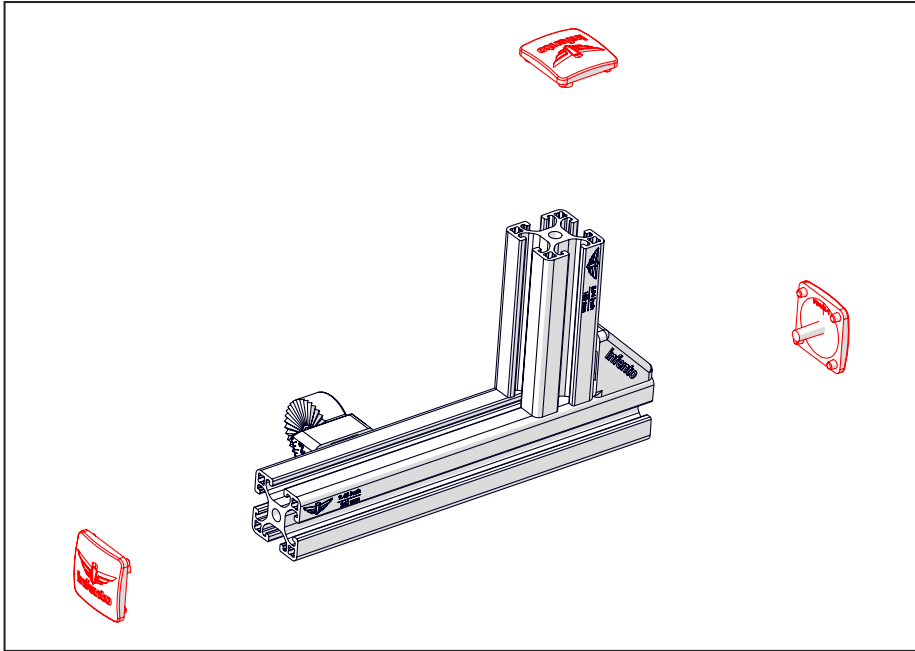
4

Phone mount extension



3x

Protect cap





5

Phone mount extension



Locknut M8

2x



Bolt M8x25

2x



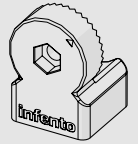
Positioning block

4x



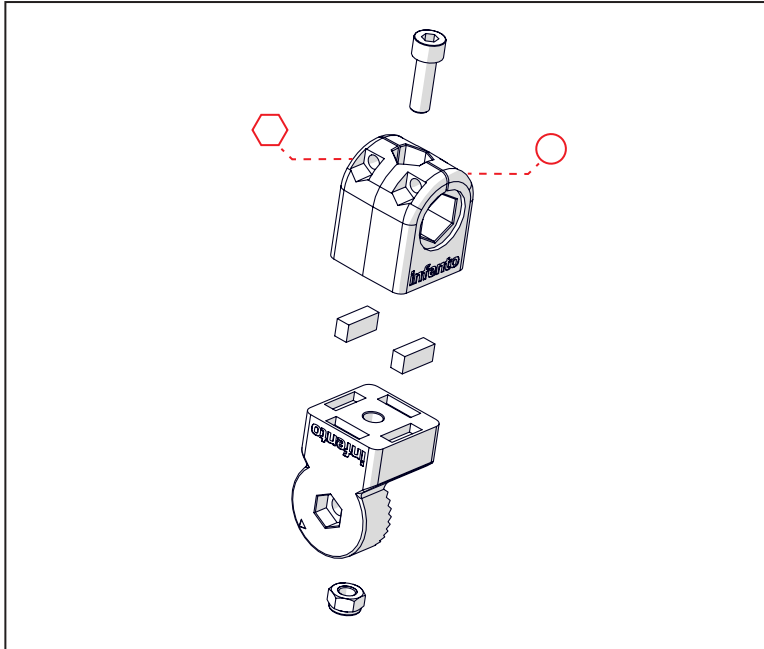
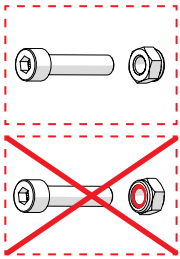
Axle clamp

2x



Multi angle joint

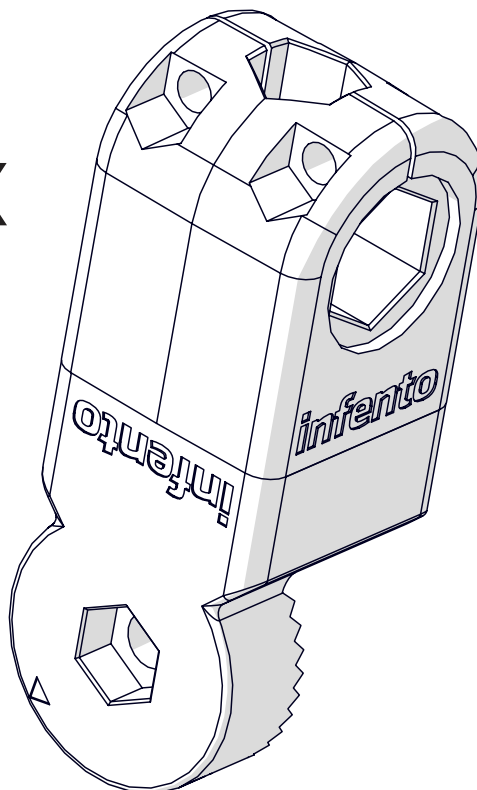
2x



NUT-IN-PART-TRICK

- 1 take a 5mm Allen key, slide the nut on it
- 2 stick the Allen key through the part
- 3 let the nut slide down

2x

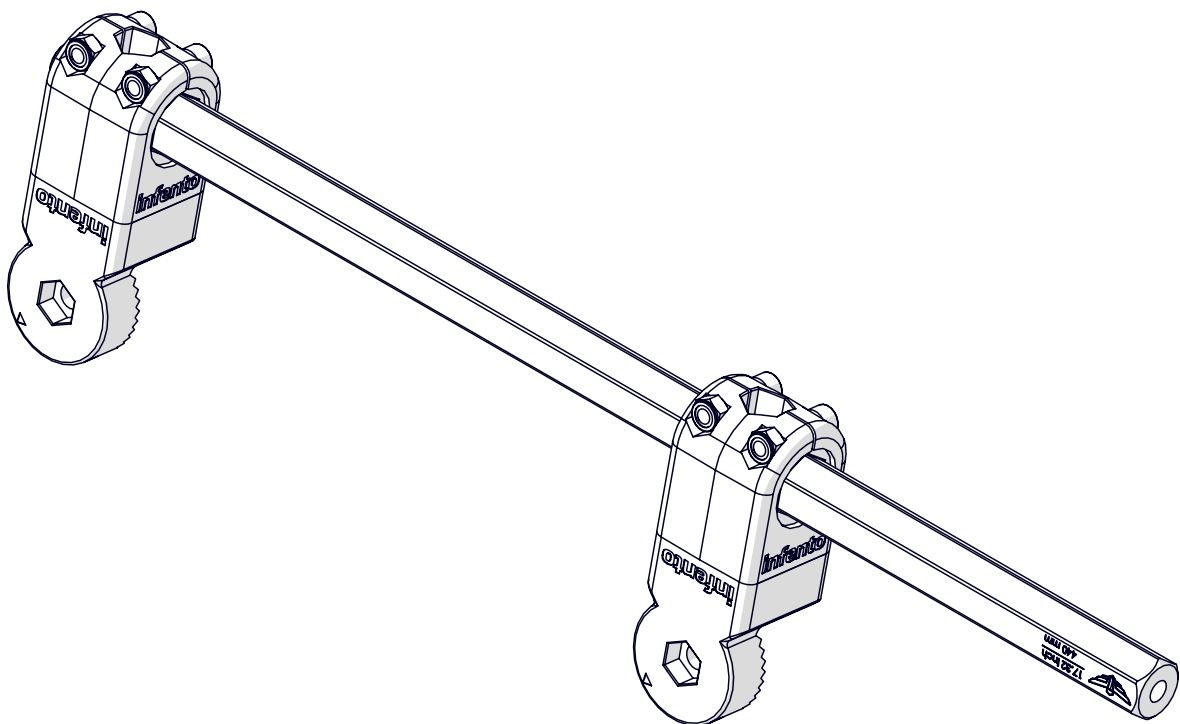
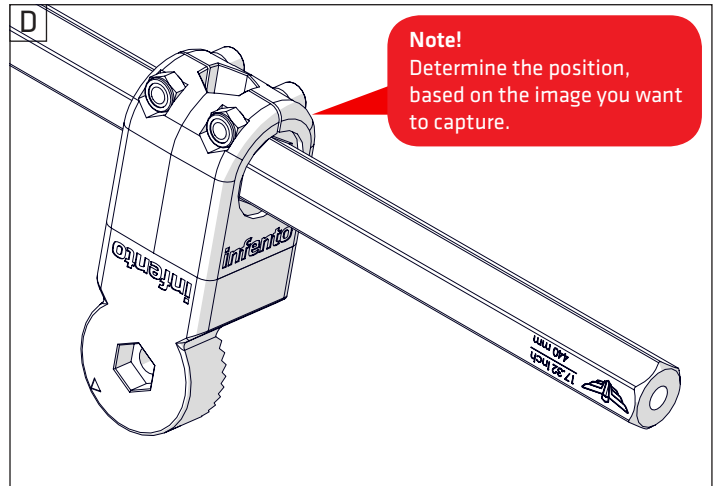
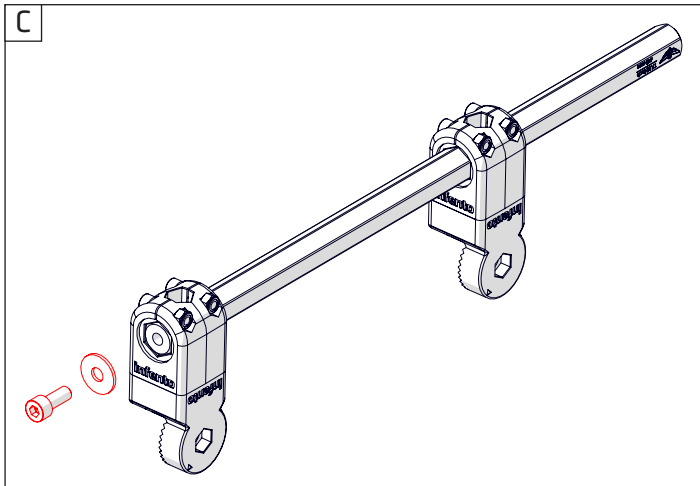
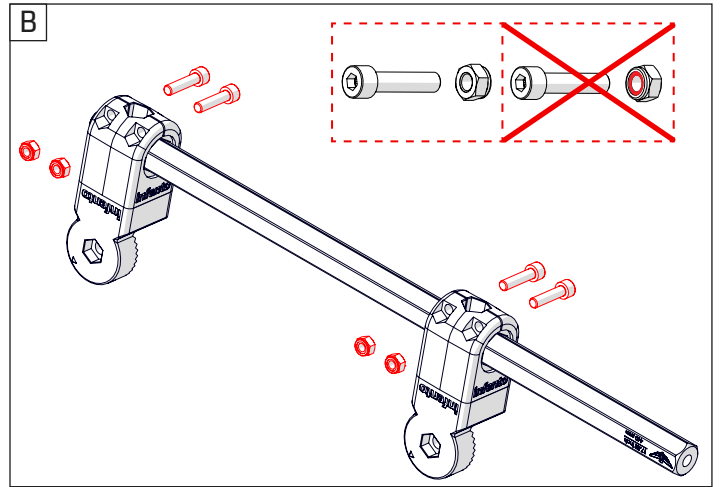
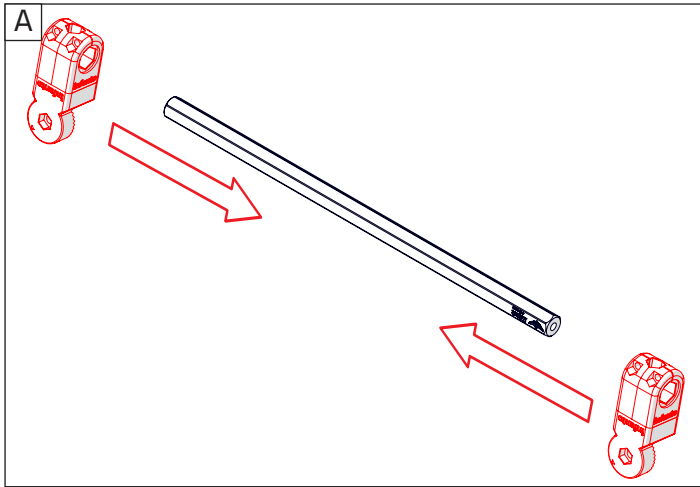




6

Phone mount extension

- Washer M8-24 1x
- Bolt M8x20 1x
- Locknut M6 4x
- Bolt M6x25 4x





7

Phone mount extension



1x

Bolt M8x35

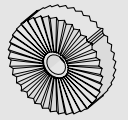
+



1x

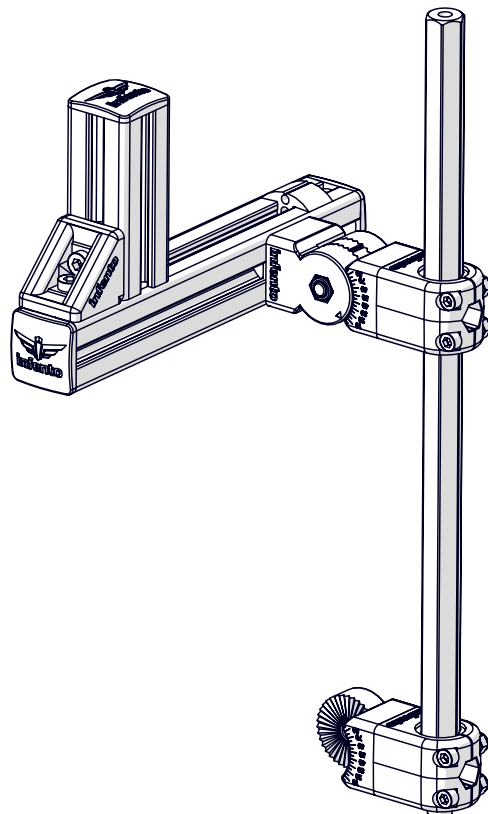
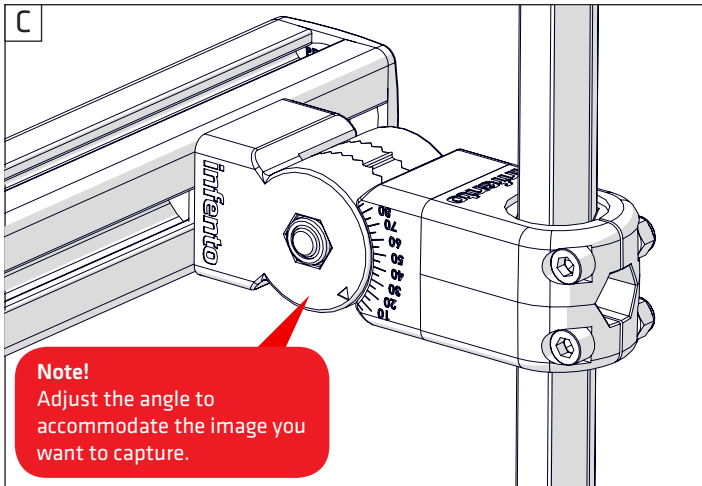
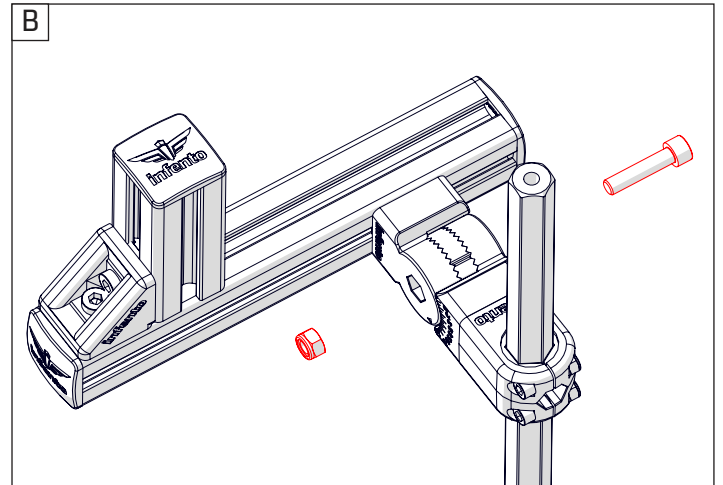
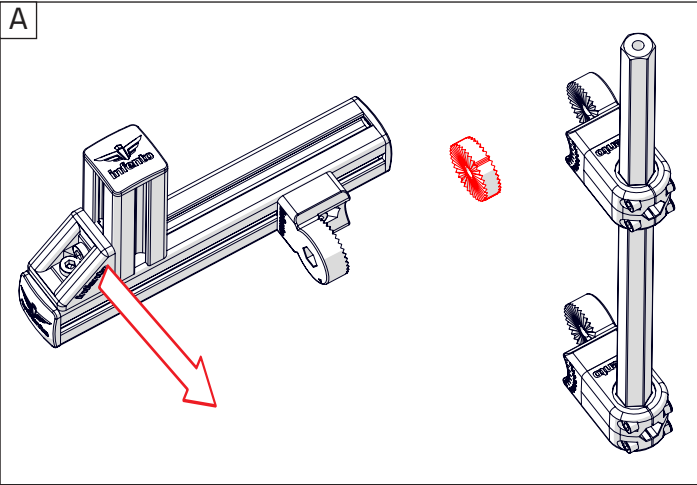
Locknut M8

+



1x

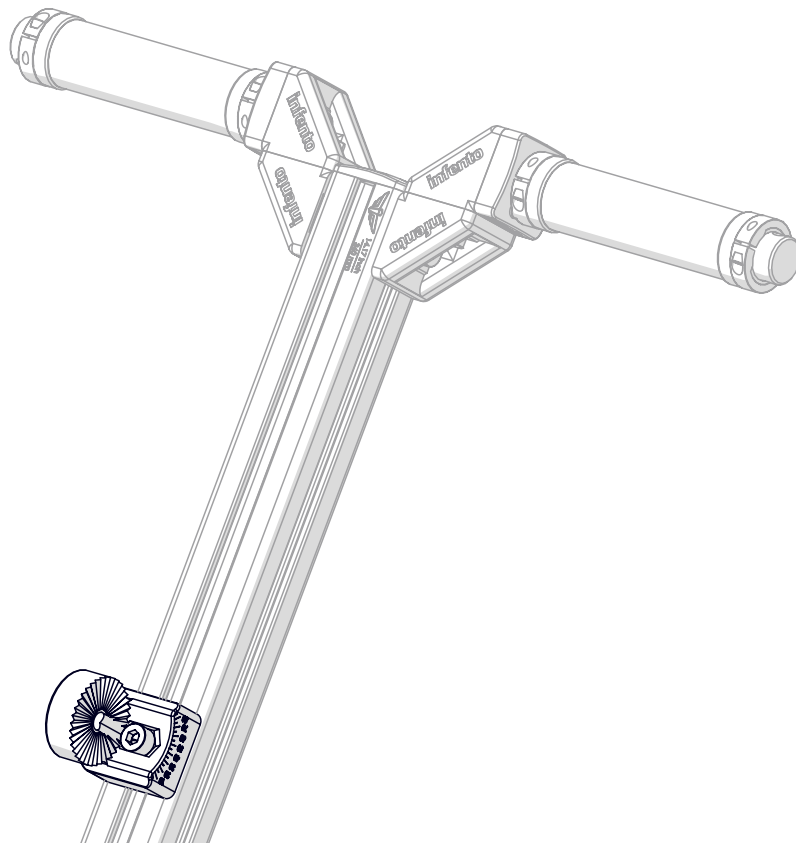
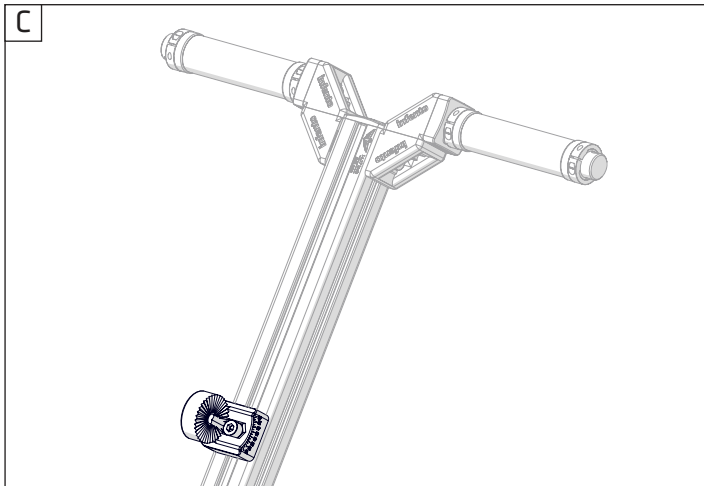
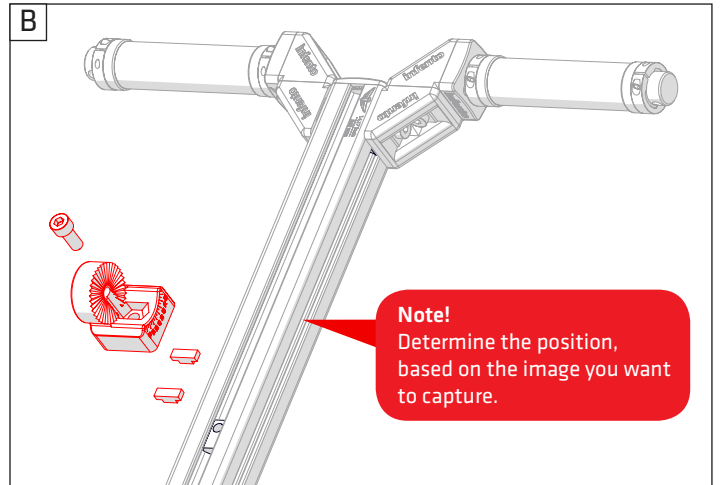
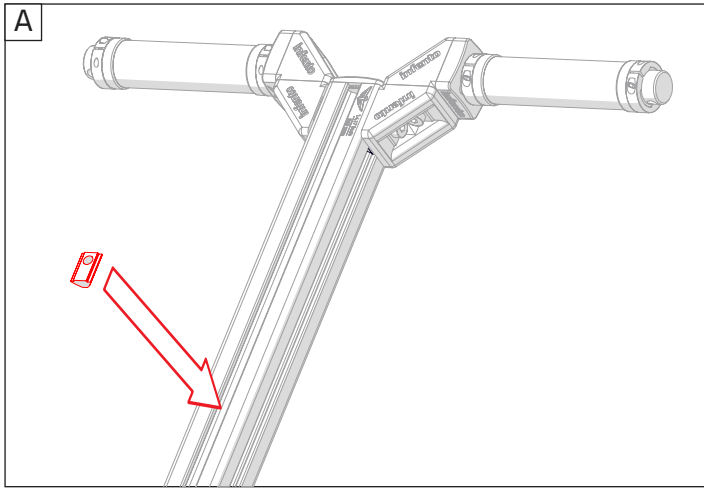
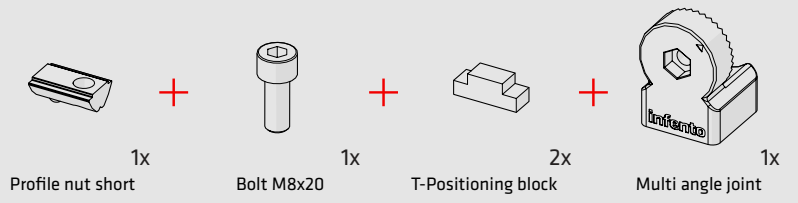
Knurled disc 2 stripes





8

Phone mount extension





9

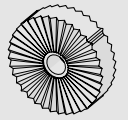
Phone mount extension



1x



1x



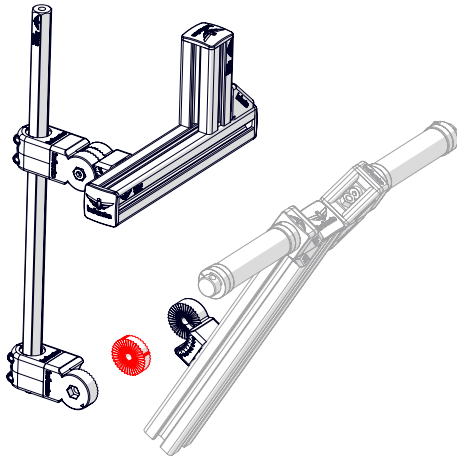
1x

Bolt M8x35

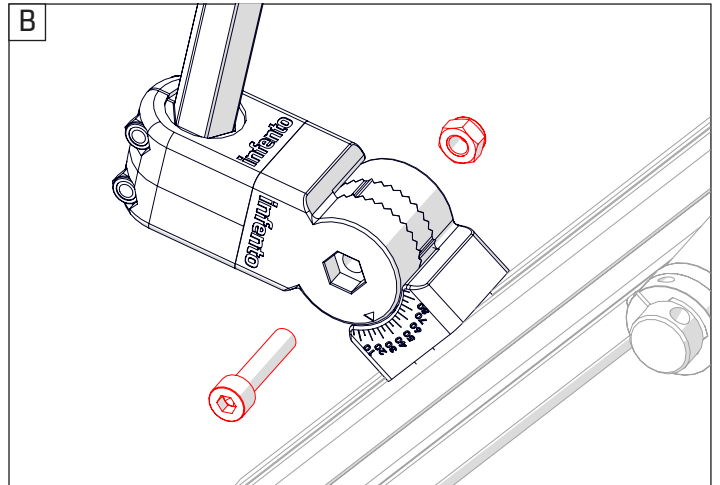
Locknut M8

Knurled disc 2 stripes

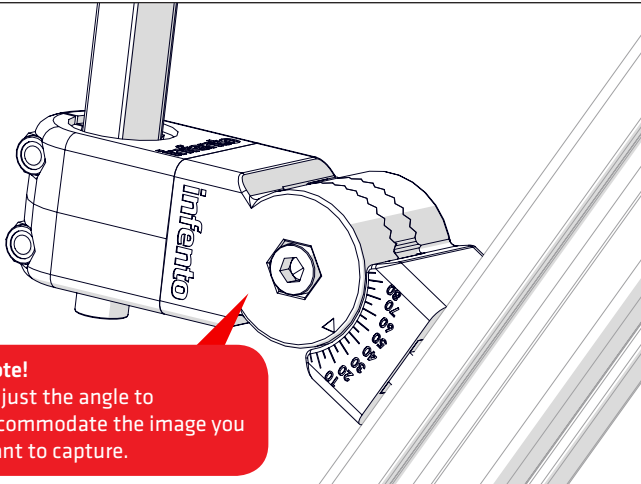
A



B

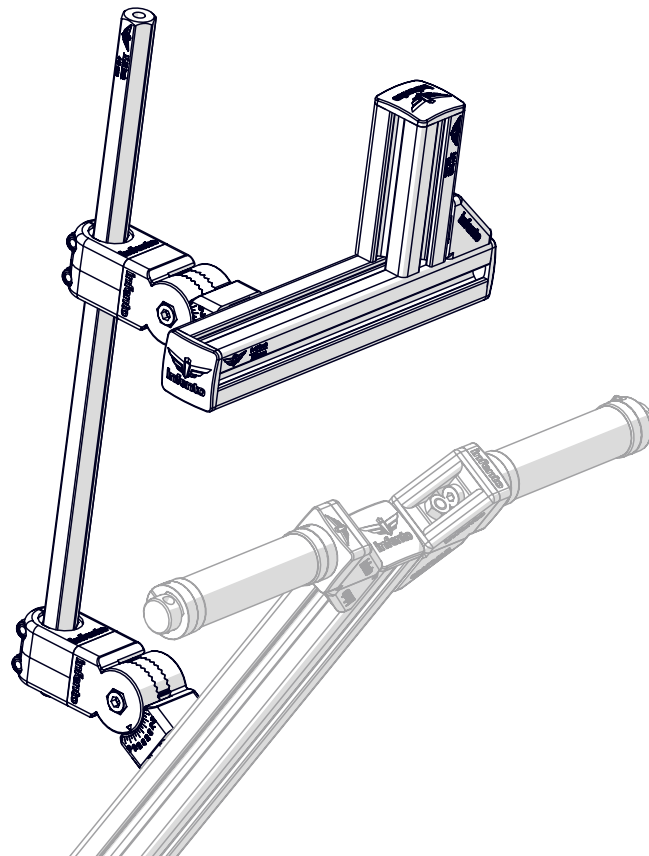


C



Note!

Adjust the angle to accommodate the image you want to capture.





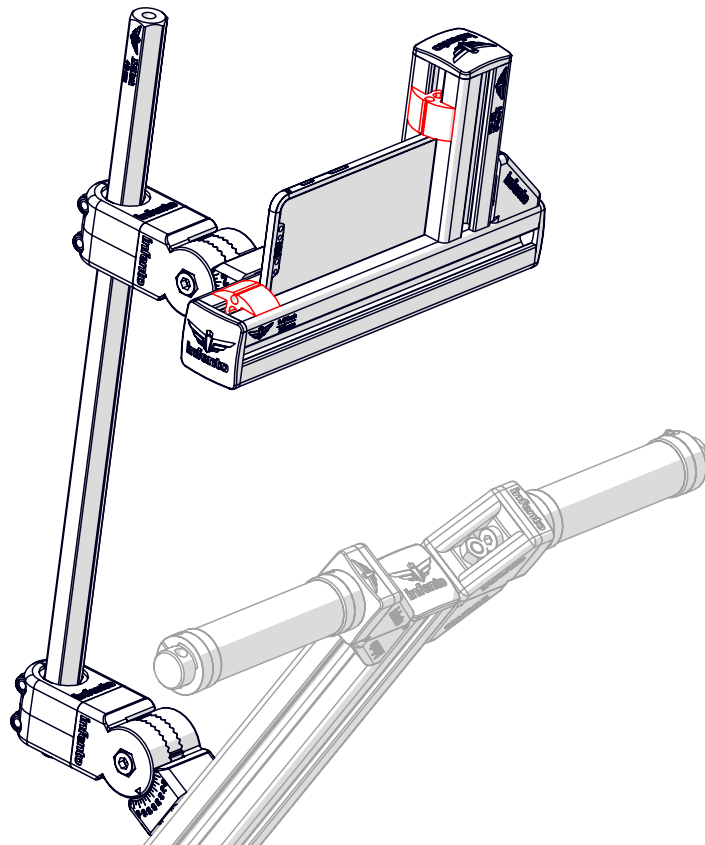
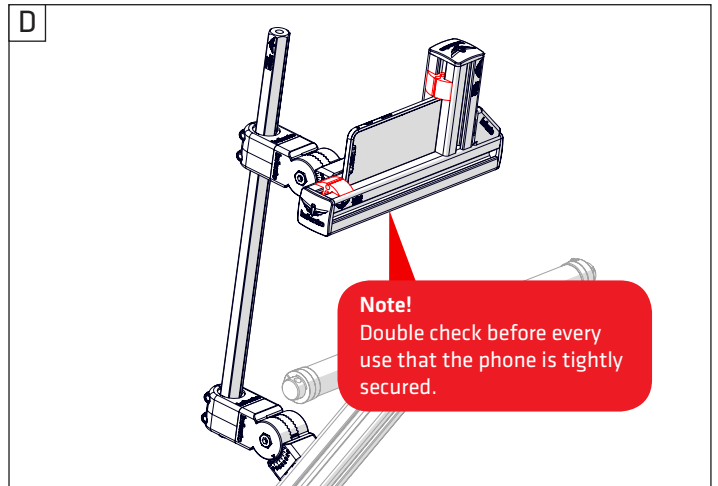
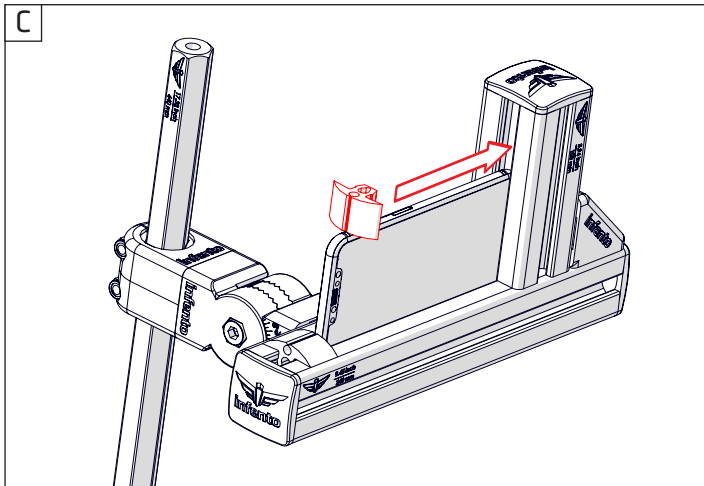
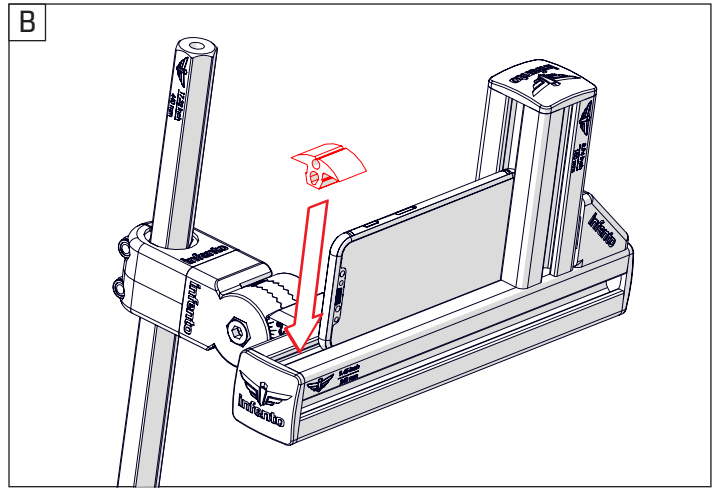
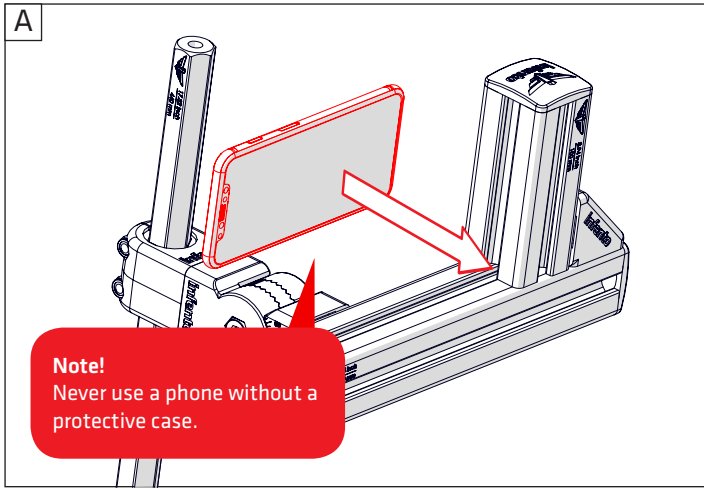
10

Phone mount extension



3x

Brake cable clip



PHONE mount extension



THANK YOU FOR READING ME!