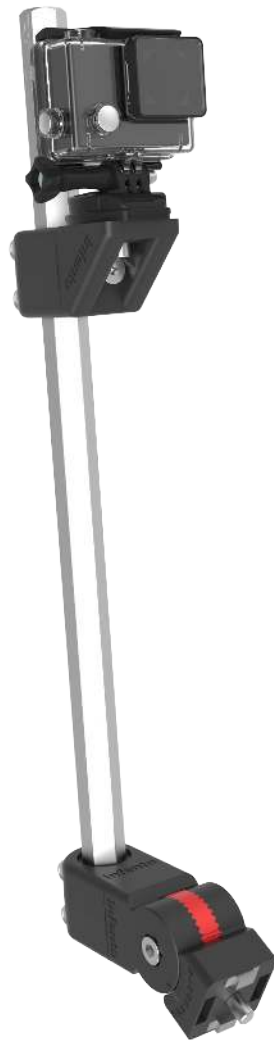


GOPRO extension

CONSTRUCTION MANUAL



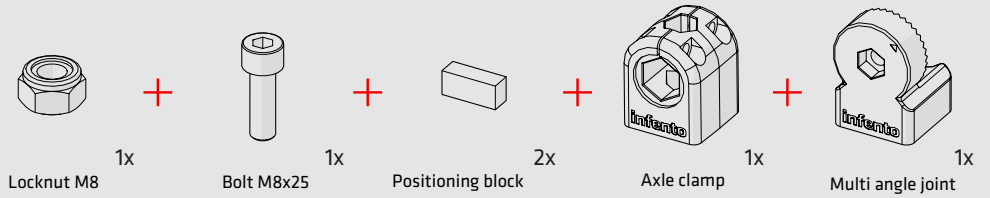
Time to build 15 min



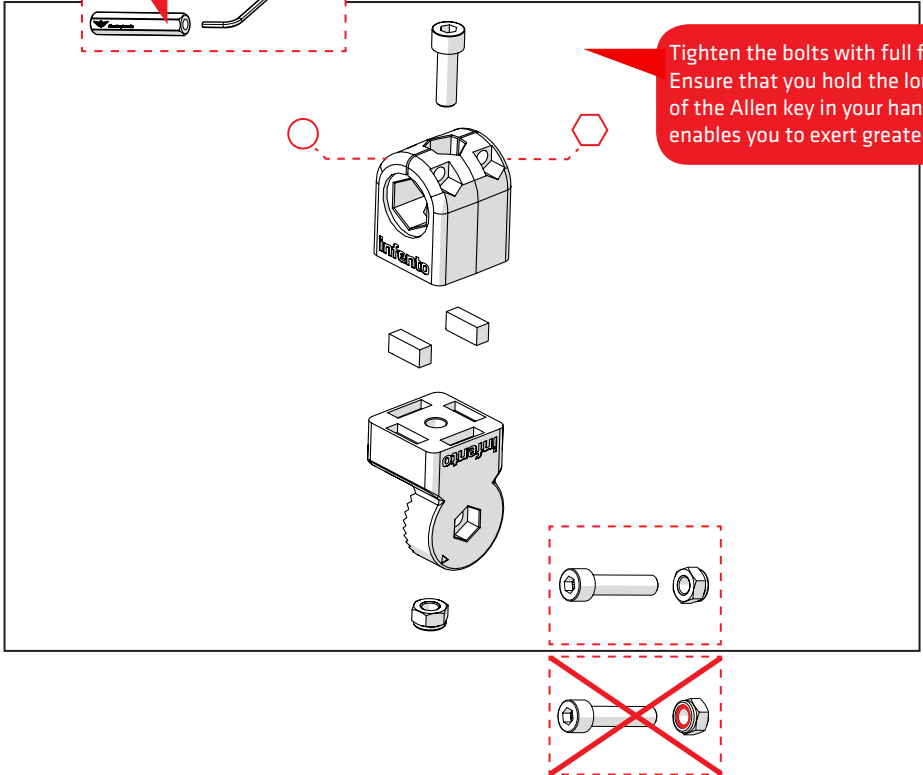
1

Gopro mount extension

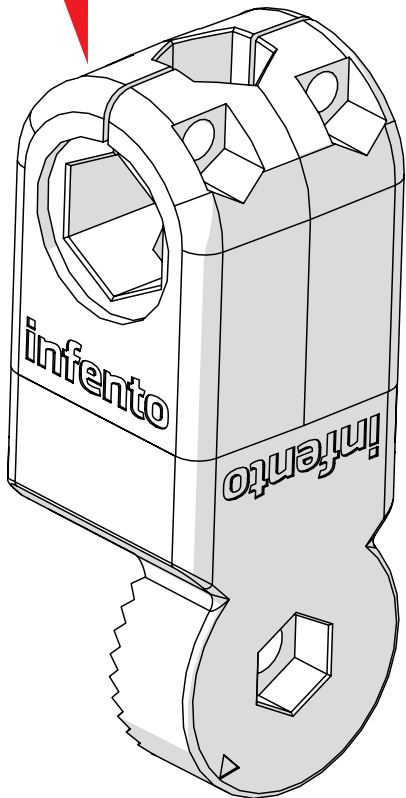
First, get all required materials stated here and then follow the instructions.



Use the Allen key handle so you can tighten the bolt well.



Double check here:
Does your result looks **exactly** like the image at the bottom of the page?

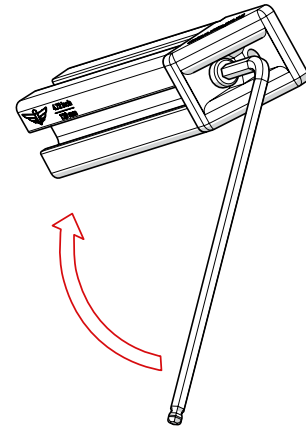


TOP 3 REQUIREMENTS MAKING A GREAT INFENTO EXPERIENCE:



1

Tighten bolts with full force (15Nm) to prevent them from coming loose.



2

Constructing and playing always under supervision of an adult.



3

Check frequently if all parts are still firmly tightened and function properly.



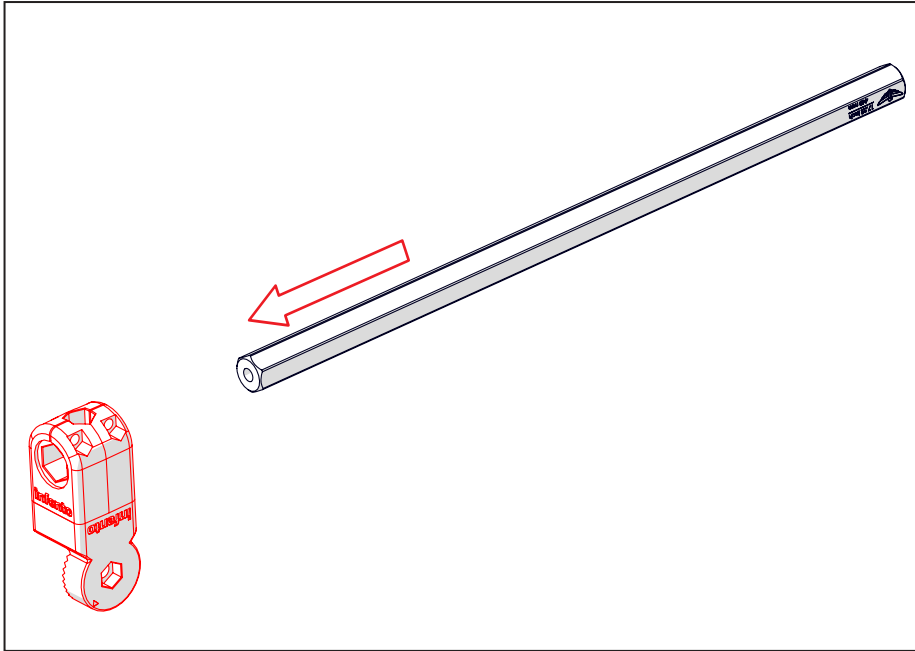


2

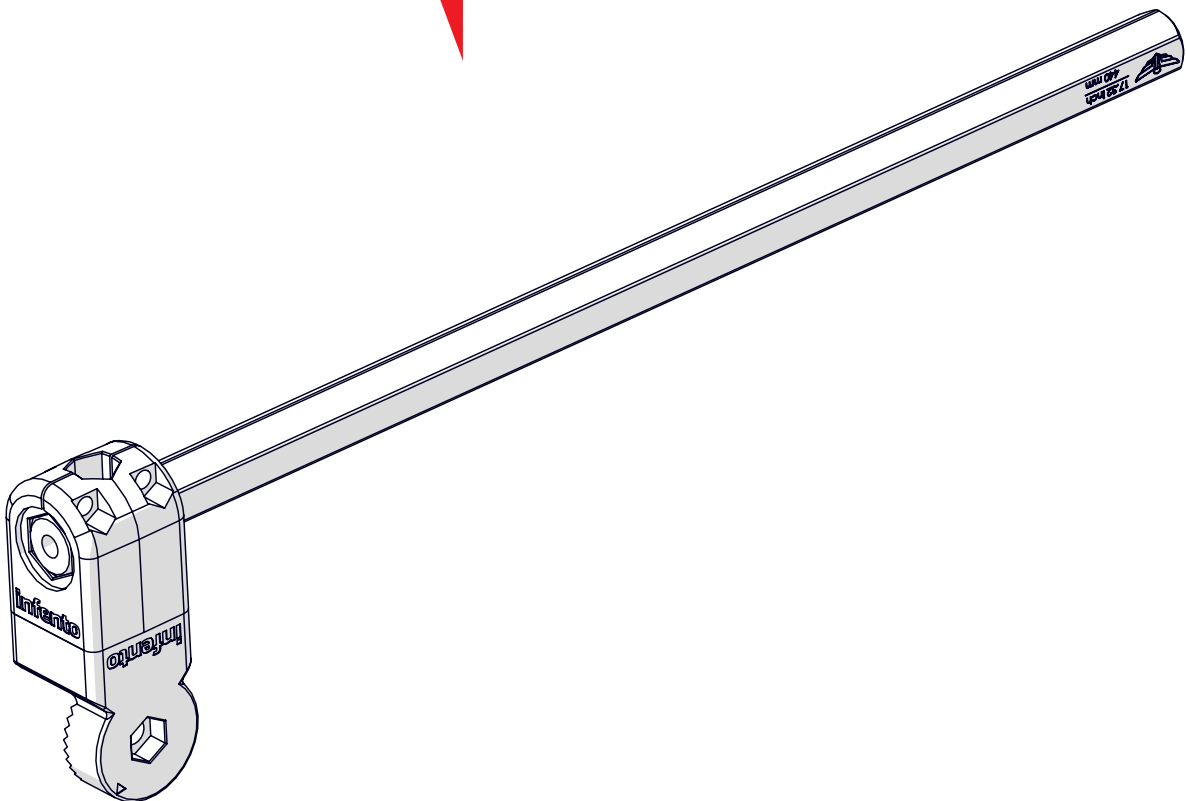
Gopro mount extension



Axle 1x
15.75inch | 400mm



Double check here:
Does your result looks **exactly** like
the image at the bottom of the page?





3

Gopro mount extension



Locknut M8 1x



Bolt M8x25 (low head) 1x



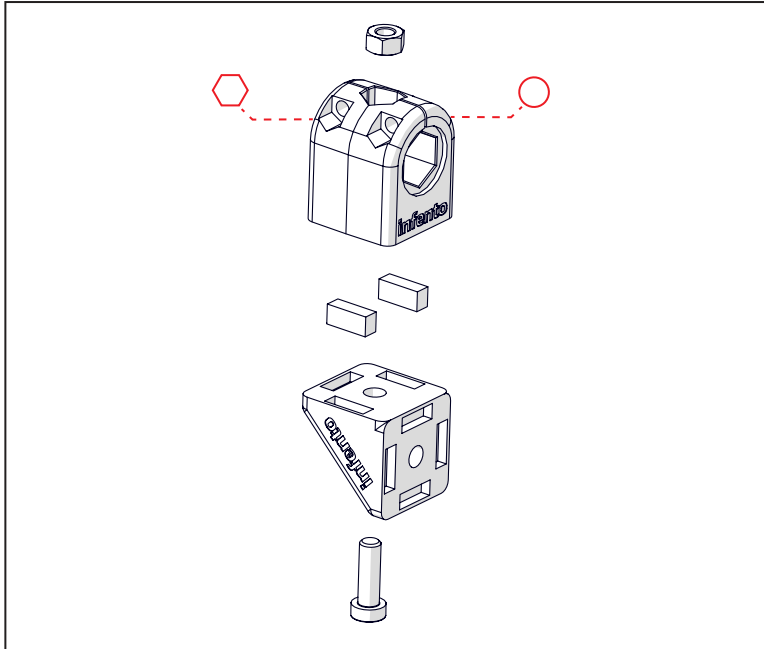
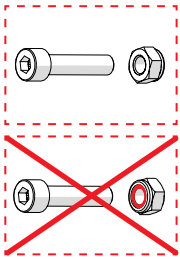
Positioning block 2x



Axle clamp 1x



L-joint 1x

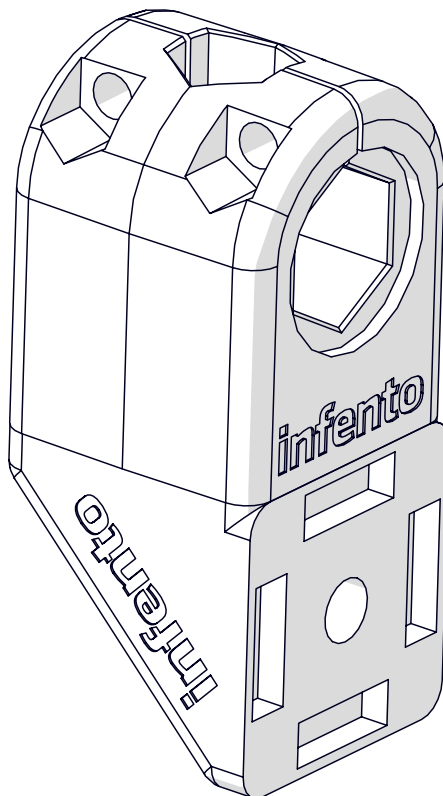


NUT-IN-PART-TRICK

- 1 take a 5mm Allen key, slide the nut on it
- 2 stick the Allen key through the part
- 3 let the nut slide down

Double check here:

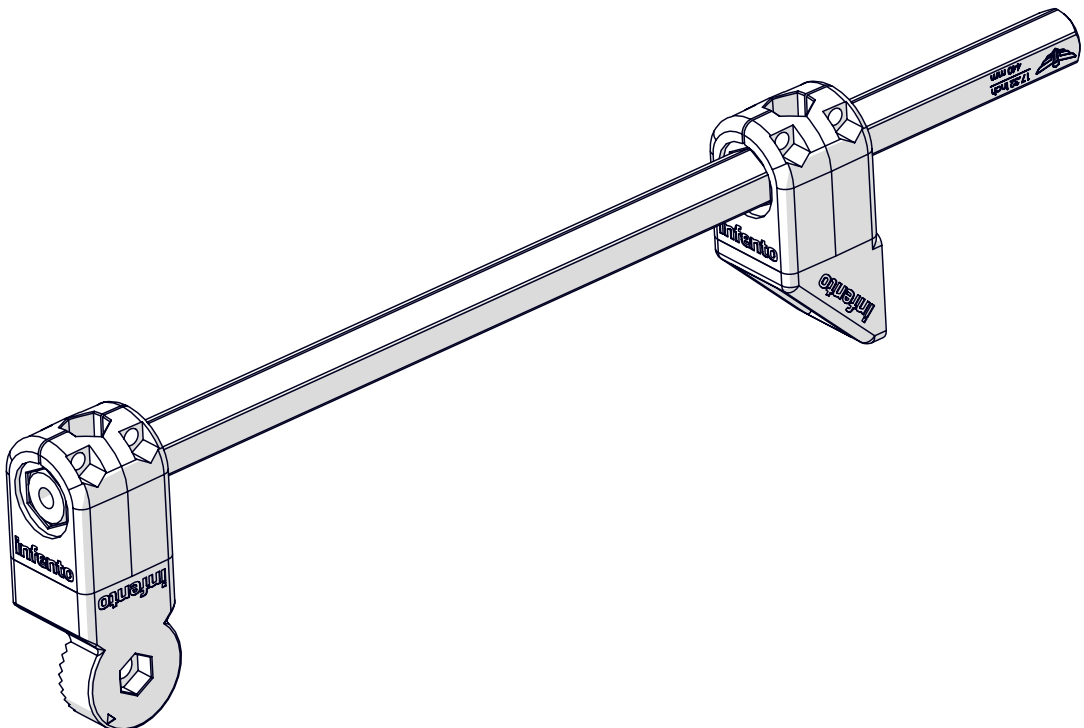
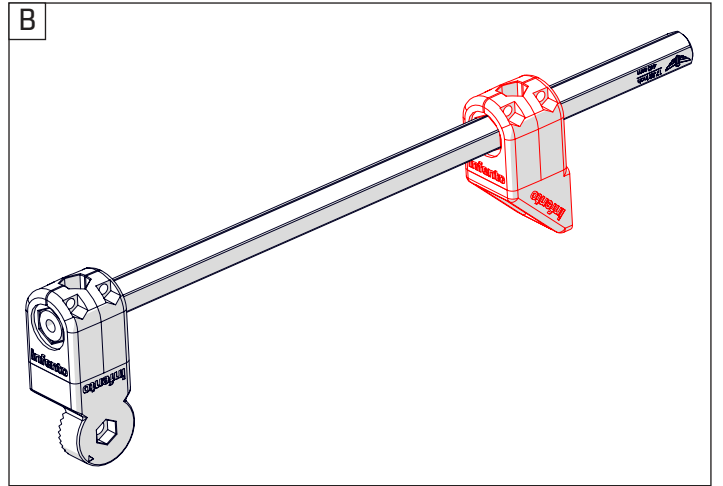
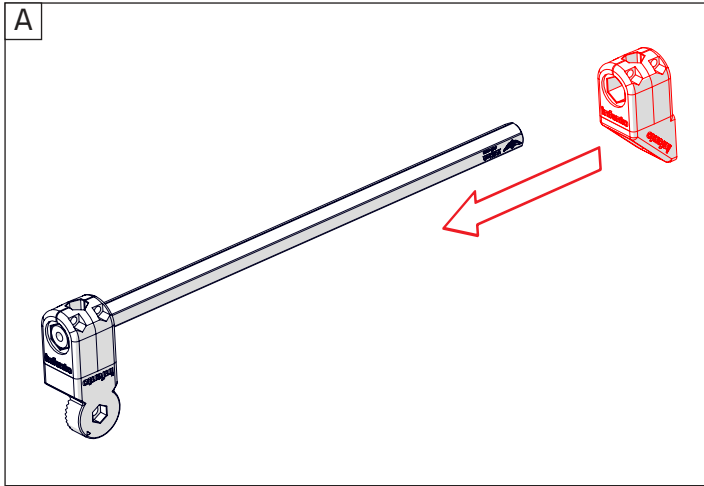
Does your result looks **exactly** like the image at the bottom of the page?





4

Gopro mount extension

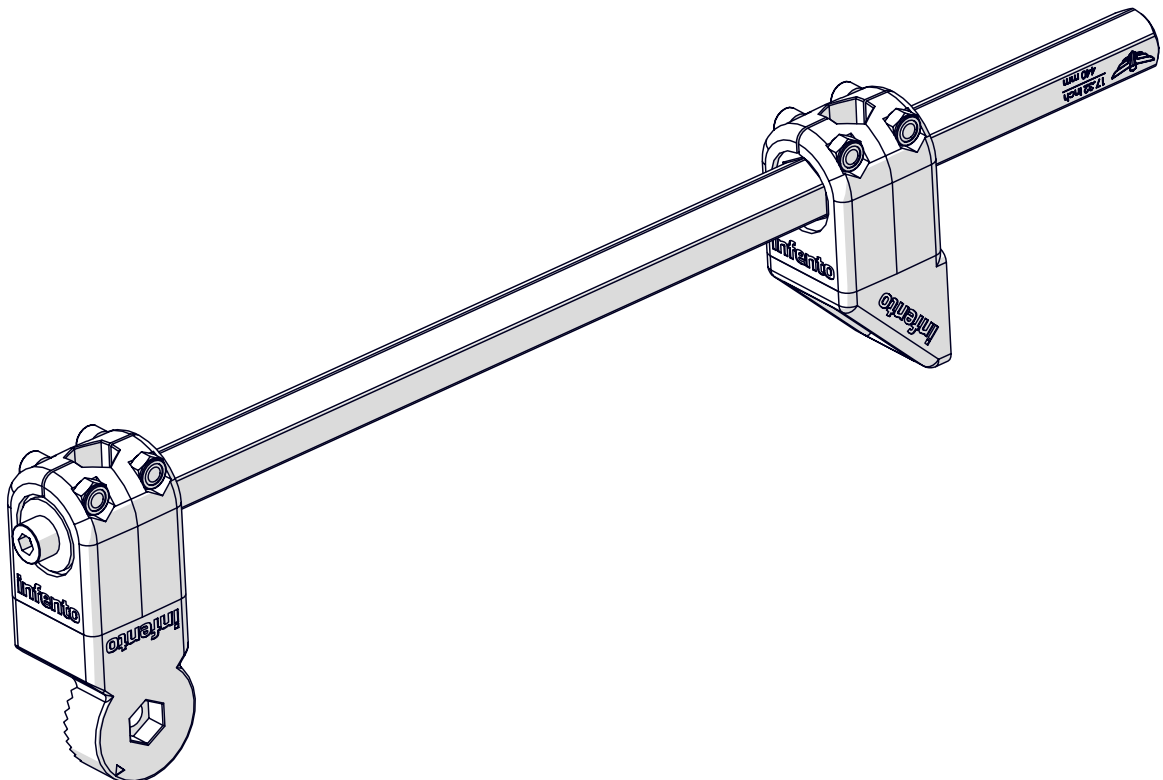
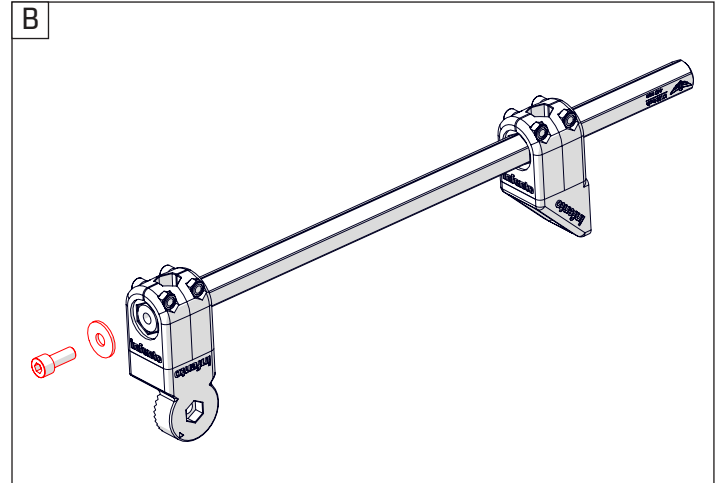
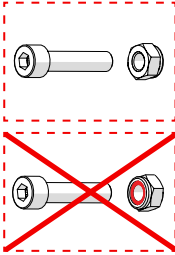
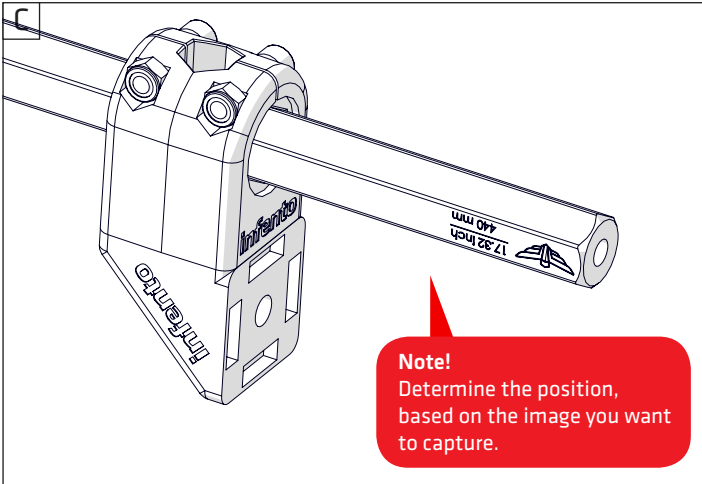
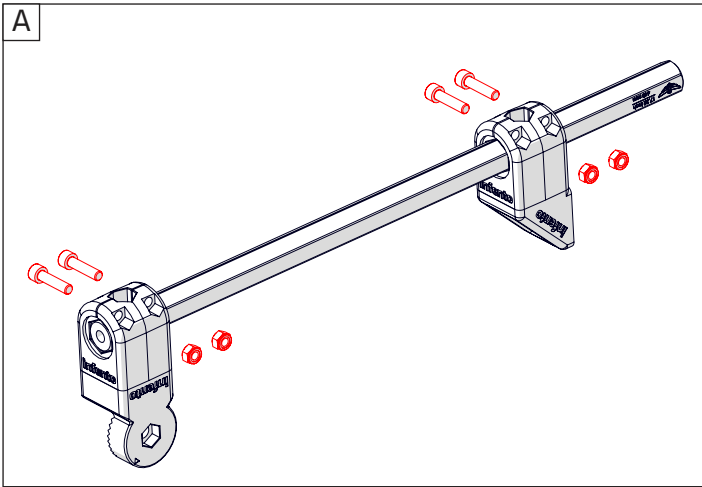




5

Gopro mount extension

- Washer M8-24 1x
- Bolt M8x20 1x
- Locknut M6 2x
- Bolt M6x25 2x

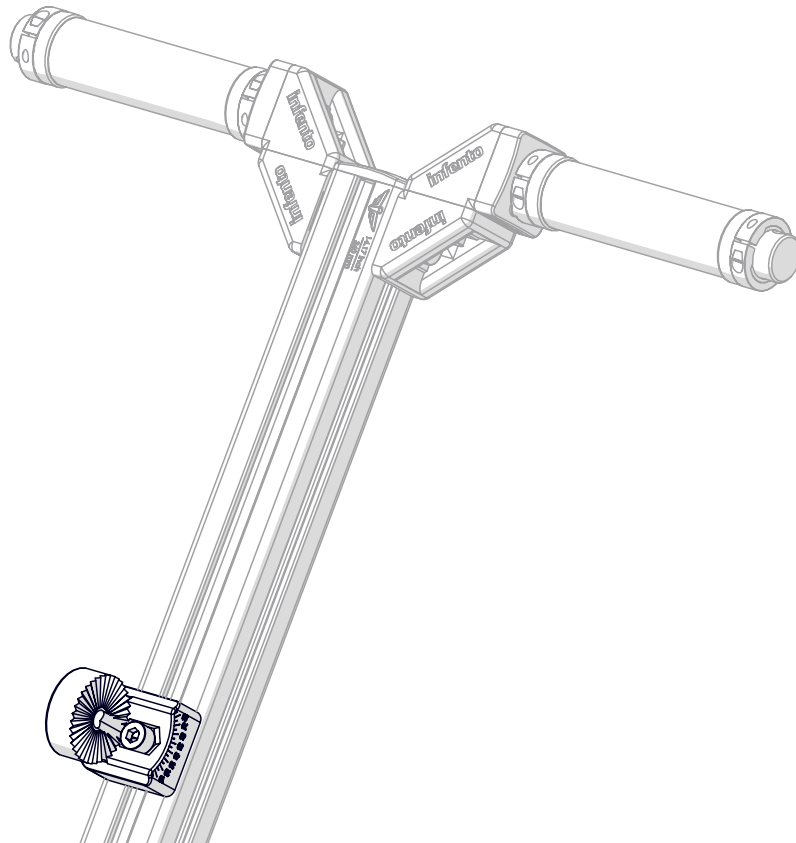
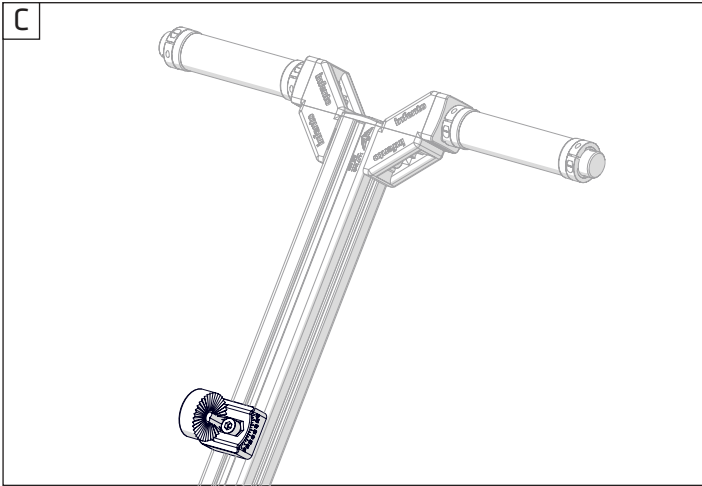
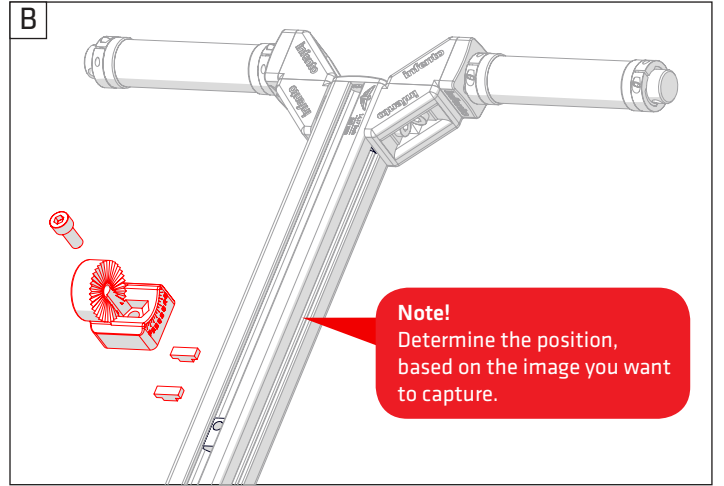
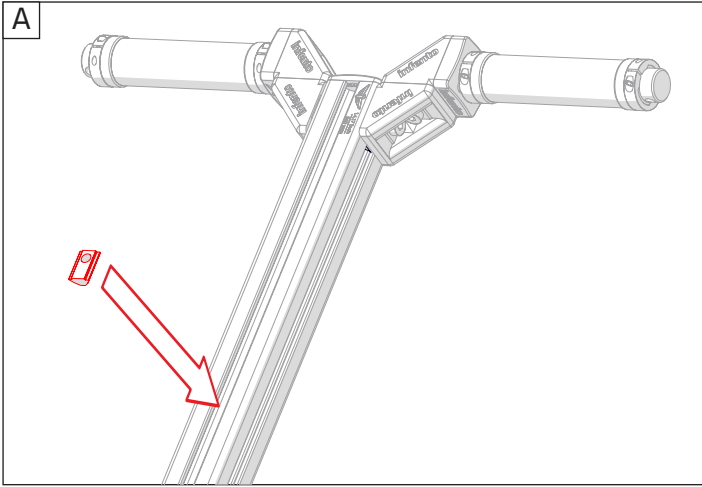




6

Gopro mount extension

- Profile nut short 1x
- Bolt M8x20 1x
- T-Positioning block 2x
- Multi angle joint 1x





7

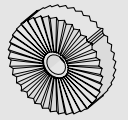
Gopro mount extension



1x



1x

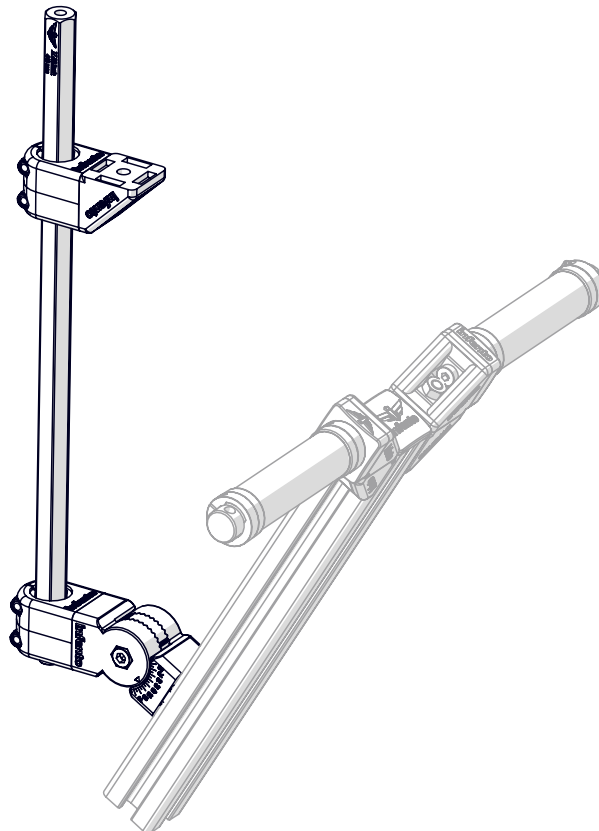
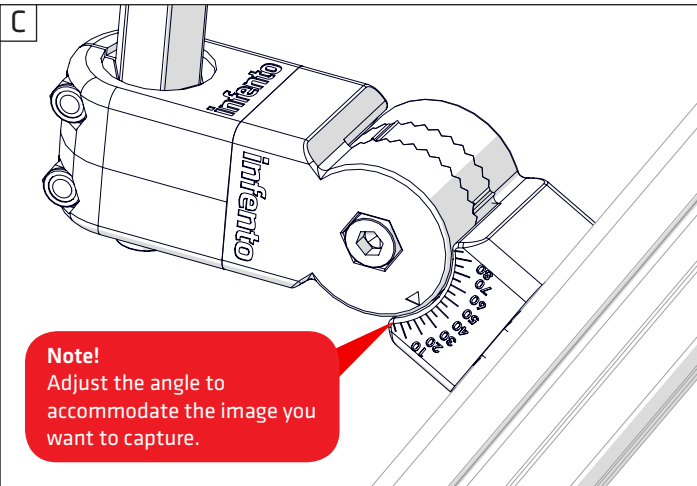
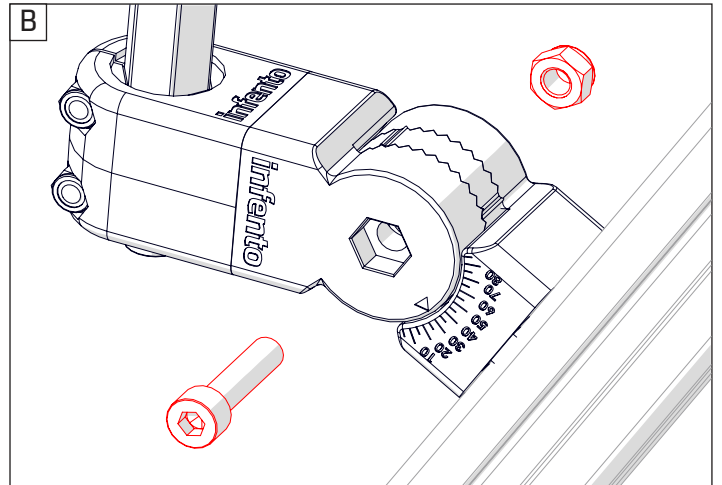
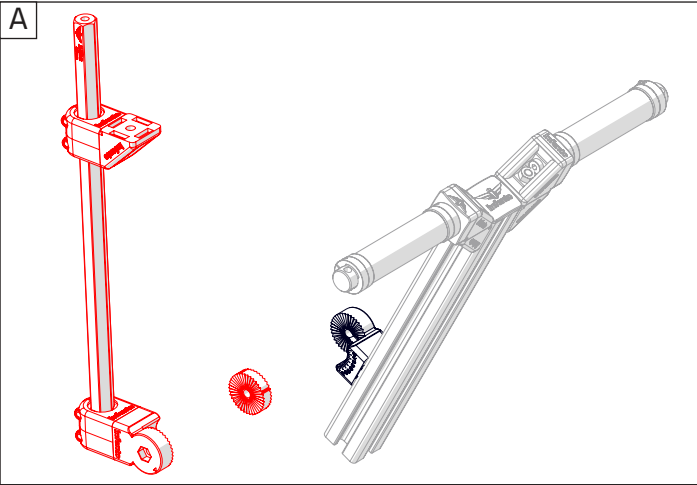


1x

Bolt M8x35

Locknut M8

Knurled disc 2 stripes



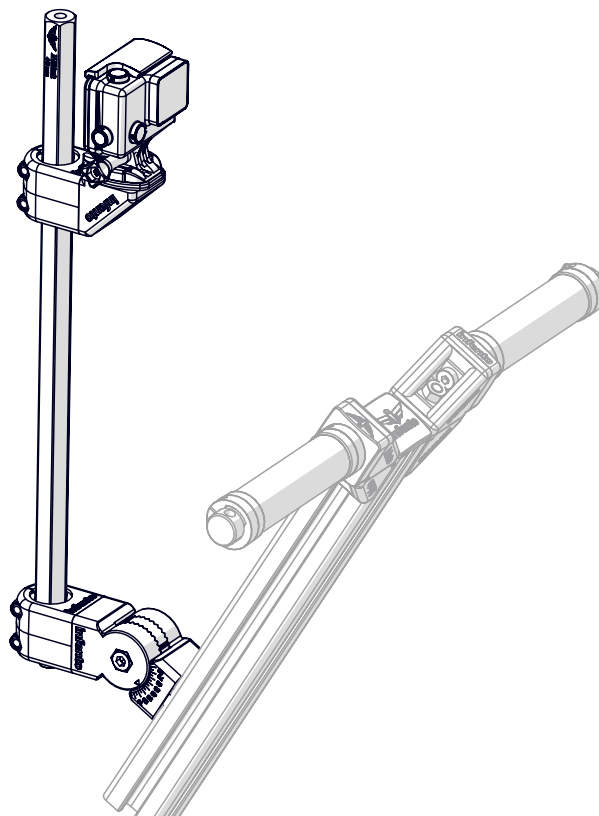
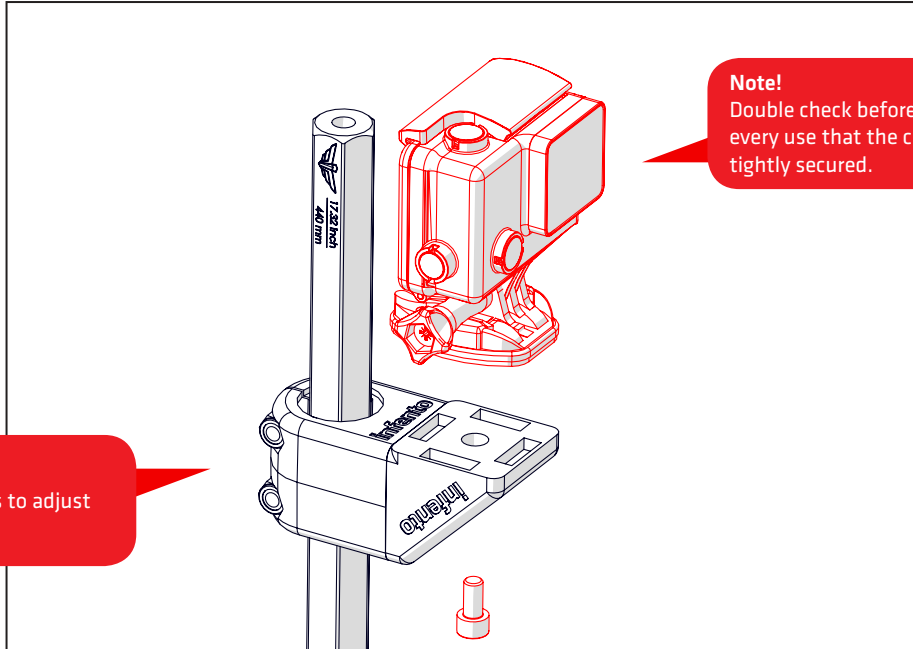


8

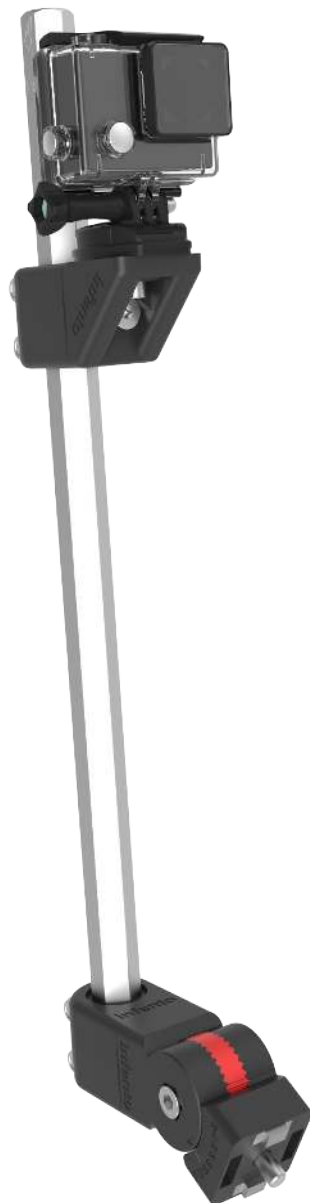
Gopro mount extension



Bolt M6x12 1x



GOPRO extension



THANK YOU FOR READING ME!