

GOPRO small

CONSTRUCTION MANUAL



Time to build 10 min



1

Gopro mount small

First, get all required materials stated here and then follow the instructions.



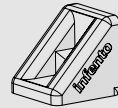
Locknut M8 1x



Bolt M8x25 (low head) 1x



Positioning block 2x

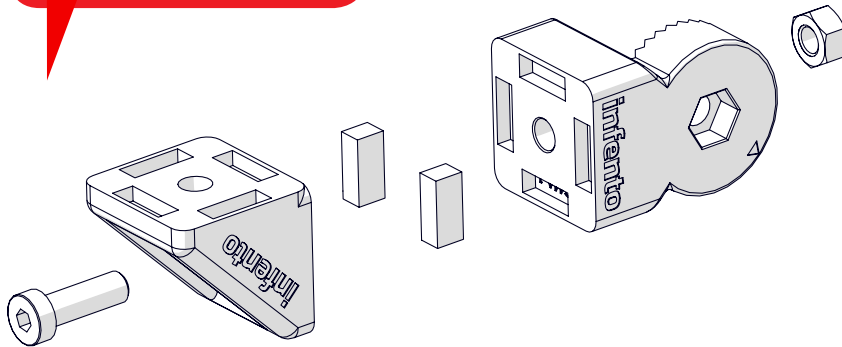


L-joint 1x



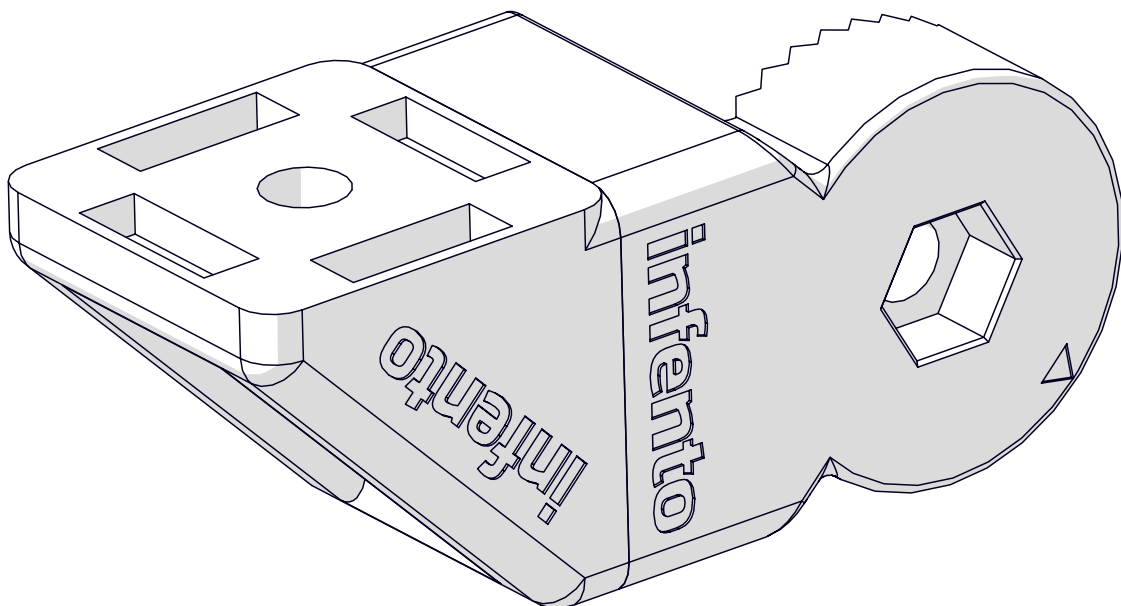
Multi angle joint 1x

Tighten the bolts with full force. Ensure that you hold the long side of the Allen key in your hand as this enables you to exert greater force.



Double check here:

Does your result looks **exactly** like the image at the bottom of the page?

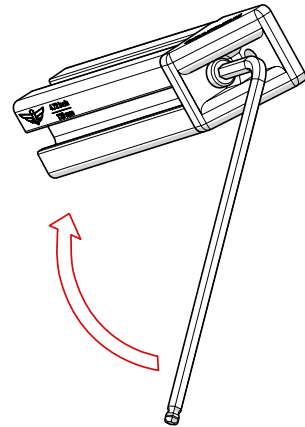


TOP 3 REQUIREMENTS MAKING A GREAT INFENTO EXPERIENCE:



1

Tighten bolts with full force (15Nm) to prevent them from coming loose.



2

Constructing and playing always under supervision of an adult.



3

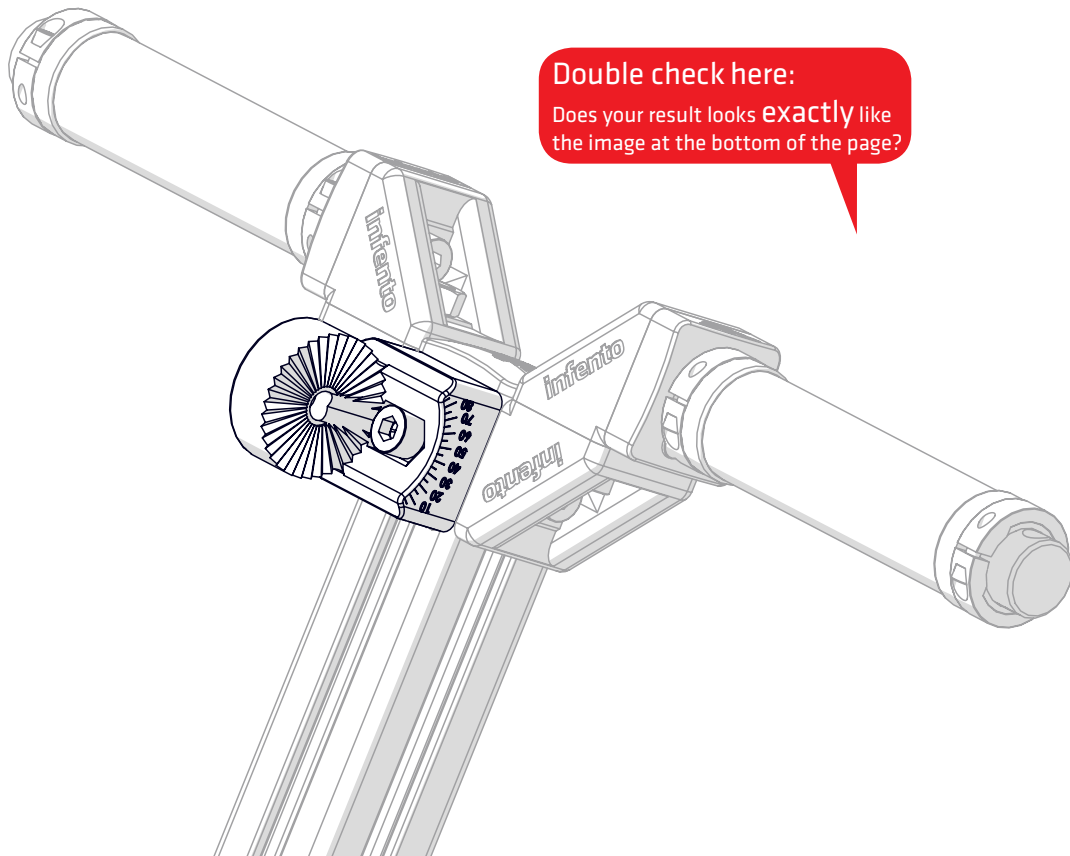
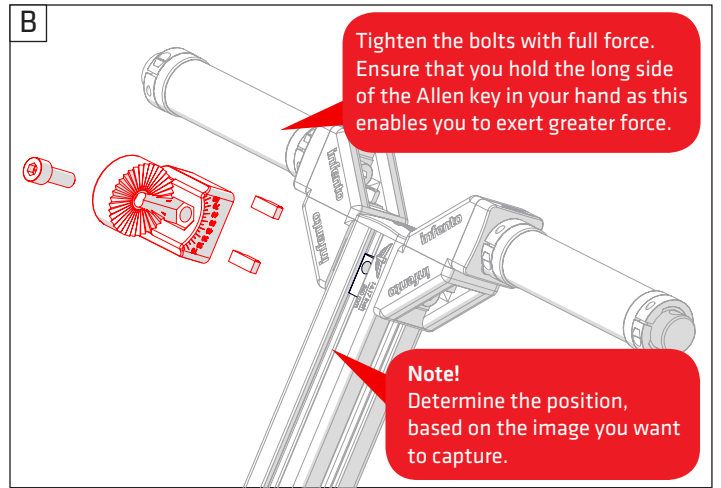
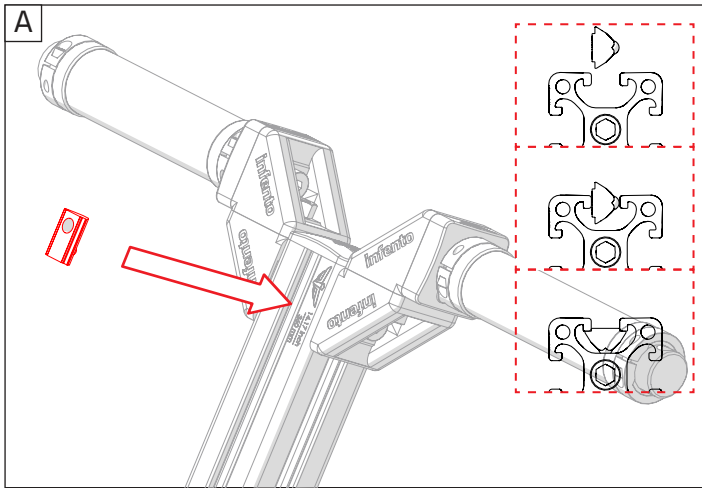
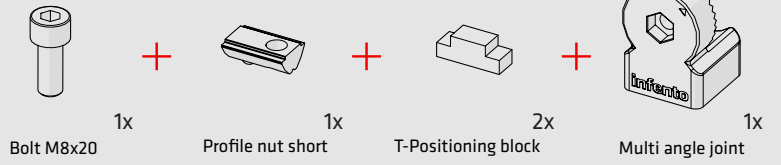
Check frequently if all parts are still firmly tightened and function properly.





2

Gopro mount small





3

Gopro mount small



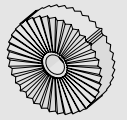
1x

Bolt M8x35



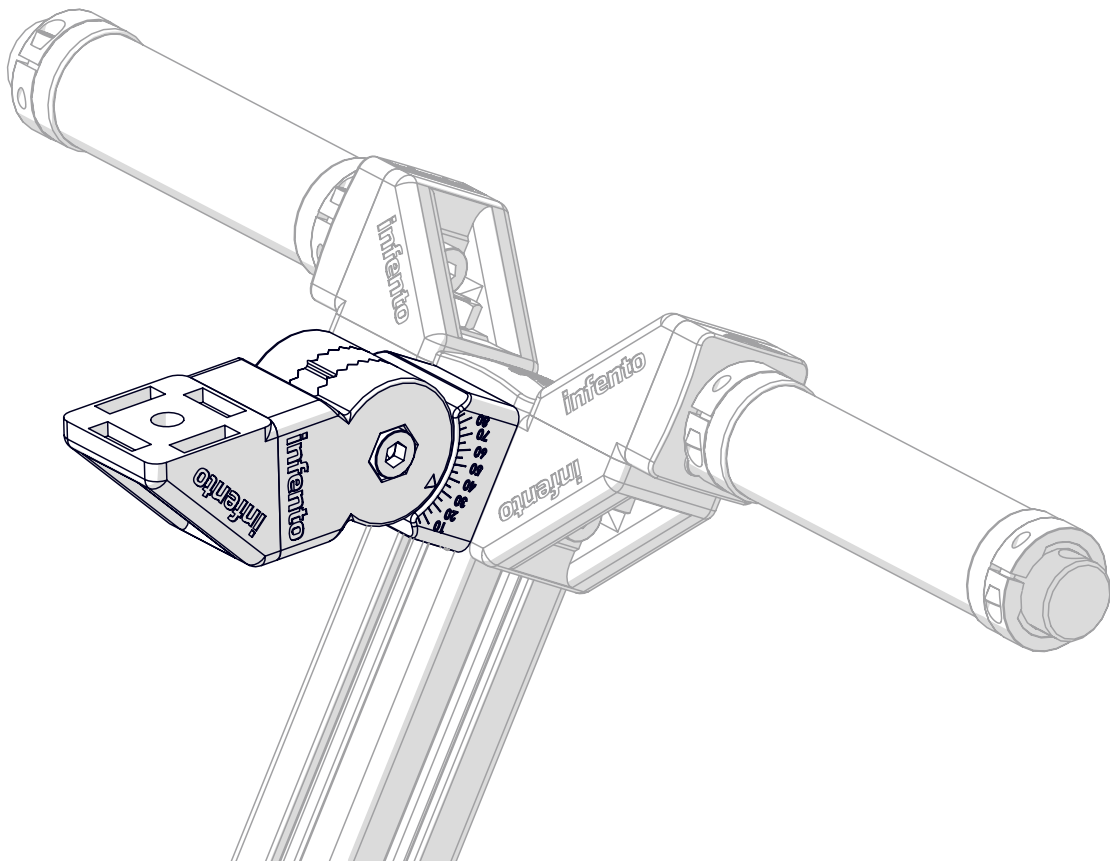
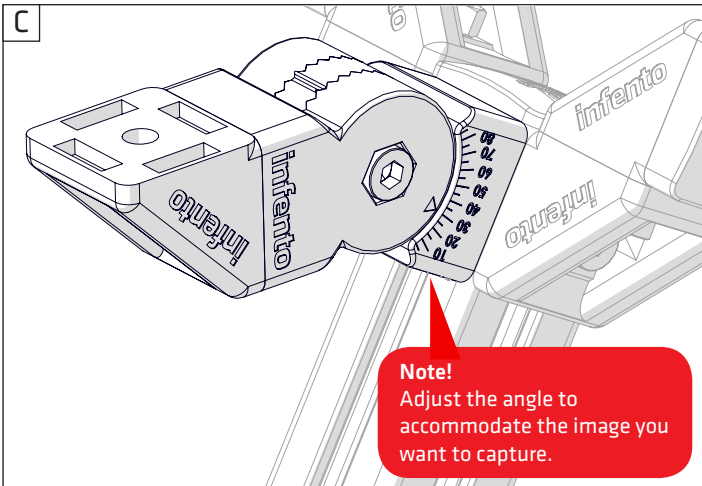
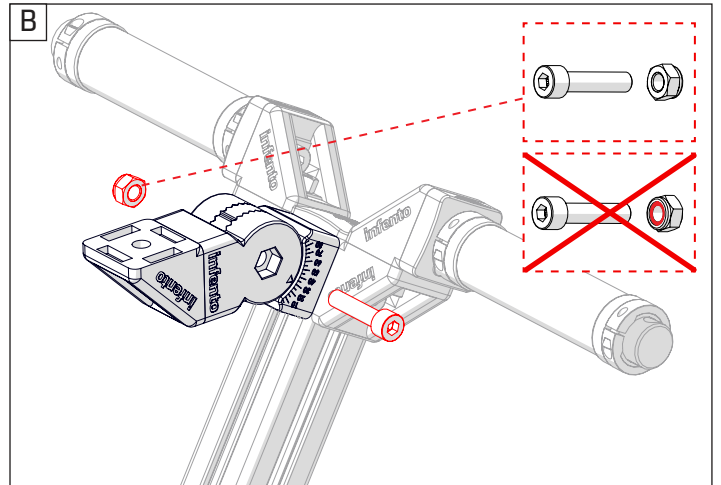
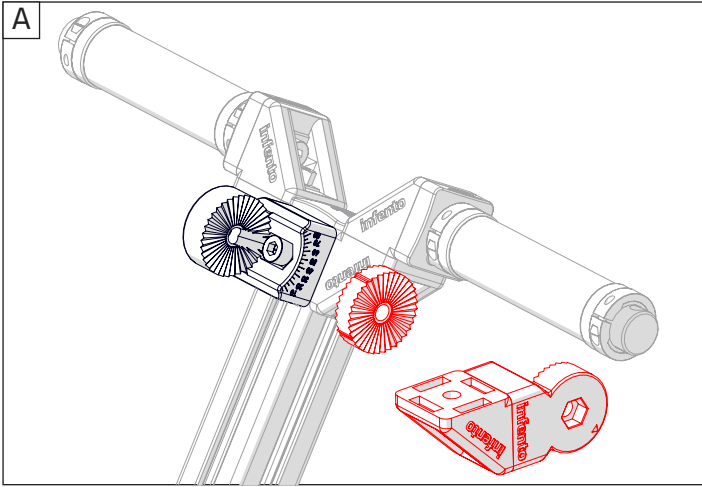
1x

Locknut M8



1x

Knurled disc 2 stripes



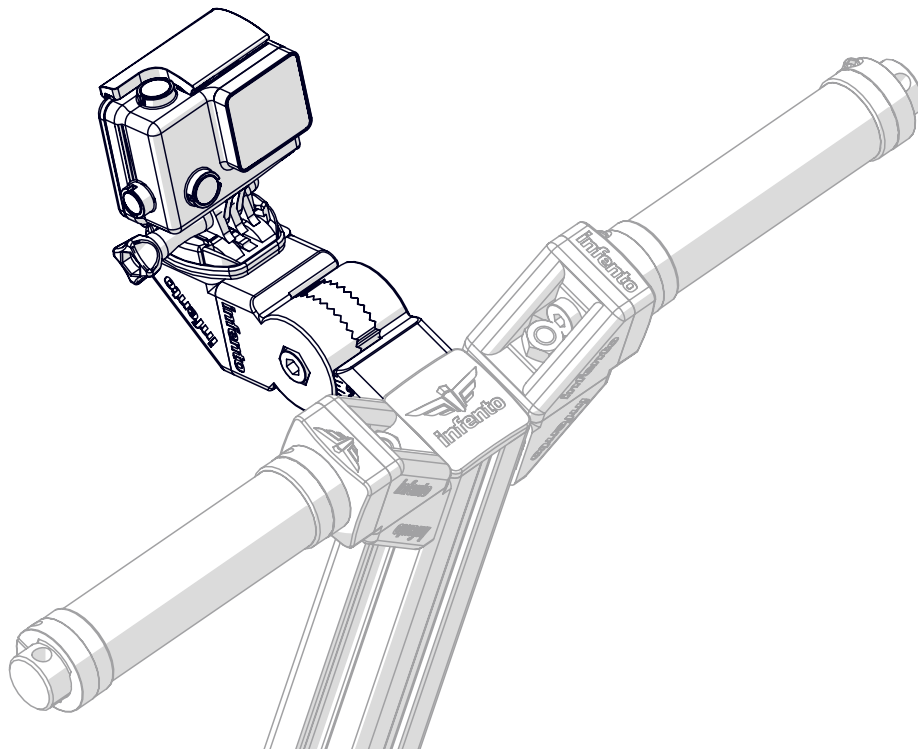
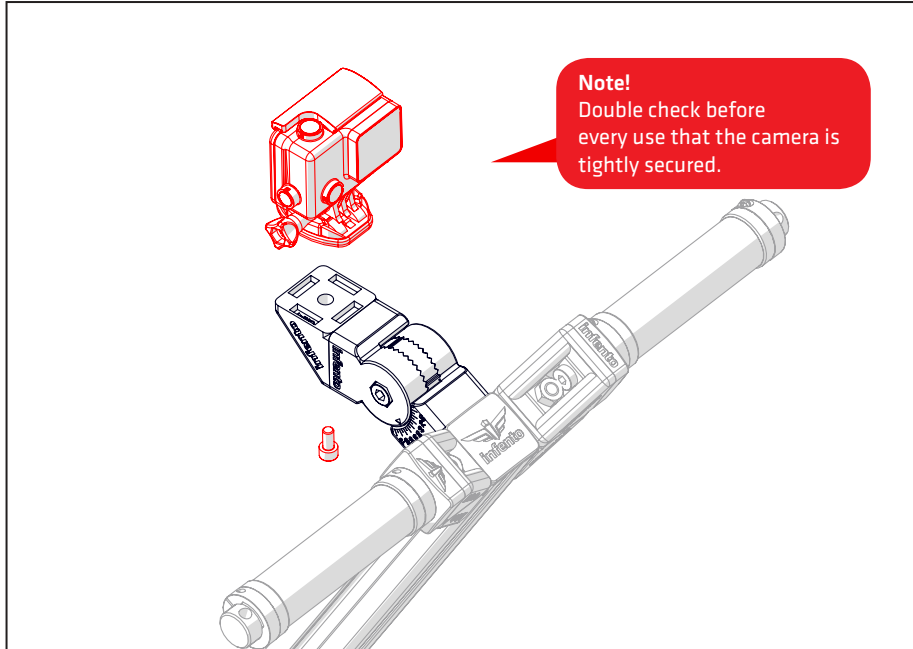


4

Gopro mount small



Bolt M6x12 1x



GOPRO small



THANK YOU FOR READING ME!