

BIKER^{G3}

CONSTRUCTION MANUAL

4-7
YEARS



Length 104 - 127 cm / 41 - 50 inch
Max weight 31 kg / 69 lbs
Time to build 3,5 hours



World's first real constructible rides



WARNING - IMPORTANT NOTICE TO PARENTS

Before you start constructing and use our product, please carefully read the following safety warning and download our manual from our website. This safety warning and manual contains important information relating to your child's safety. It is your responsibility to review this information with your child and make sure they are fully aware of all the warnings before they start riding. Failure to follow instructions and safety precautions can result in serious injury or death.

You can find a digital copy of the manual at the following web address:

www.infento.com

PLEASE PRINT OUT THE MANUAL AND KEEP THE MANUAL AND THIS **SAFETY WARNING** IN A SAFE LOCATION FOR FUTURE REFERENCE.

SAFETY SECTION



WARNING! PARENTAL SUPERVISION AND APPROPRIATE USE

Like any moving product, rides made from Infento parts can be dangerous if due care and attention is not paid. To reduce the risk of serious injury: use only under close adult supervision. Parents must review the following warnings and instructions with each Infento ride that is being built. It is your responsibility to review this information and make sure that all riders understand all warnings, cautions, instructions and safety topics, and assure that young riders are able to safely and responsibly use this product. Infento recommends that you periodically review and reinforce the information in this manual with younger riders, and that you inspect and maintain your child's Infento rides to insure their safety.

WARNING! RIDING ON INFENTO RIDES CAN BE A DANGEROUS ACTIVITY

Riding on Infento rides can be a dangerous activity. Certain conditions may cause the equipment to fail without fault of the manufacturer. Rides made from Infento parts can and are intended to move, and it is therefore possible to lose control, fall off and/or get into dangerous situations that no amount of care, instruction or expertise can eliminate. If such things occur you can be seriously injured or die, even when using safety equipment and other precautions. Ride at your own risk and use common sense.

WARNING! NO LIABILITY FOR CONSTRUCTED RIDES THAT DIFFER FROM OUR MANUALS

The rides that you can find in our manuals have been tested by official independent testing agencies. We will not be responsible or liable, directly or indirectly, in any way for any loss or damage of any kind incurred as a result of your decision to build constructions or rides that differ from the official rides that we show in our manuals.

ASSEMBLY – SUBSECTION

WARNING! OUR KITS CONTAIN SMALL PARTS

This package contains small parts which, before assembly, present a choking hazard to children under the age of three. Care should be taken

during unpacking and assembly to insure that all small parts and plastic bags are accounted for and kept out of the reach of children.

WARNING! TO AVOID SERIOUS INJURY:

1. Toys are to be assembled by an adult using Infento manuals.
2. All fasteners (bolts and nuts) should be fully tightened.
3. It is the responsibility of the adult who assembles this bicycle to properly install all parts included in the factory sealed shipping carton and to make the adjustments to the functional parts such as handle bar and seat and chain when necessary.

USE – SUBSECTION

WARNING! TO AVOID SERIOUS INJURY:

1. Continuous adult supervision is required.
2. Only ride constructed rides that have been built according to the instructions given in the official Infento manual.
3. Never exceed the maximum weight. You can find the maximum weight for every specific ride in our manual.
4. Always check the manual to see the minimum and maximum age as well as the minimum and maximum length for every specific ride.
5. Always wear safety equipment such as a helmet, knee pads and elbow pads. We recommend riders always wear a properly fitted helmet that complies with local or national guidelines or laws. Keep chinstrap of helmet securely buckled.
6. Always wear closed toed shoes (lace-up shoes with rubber soles), never ride barefooted or in sandals, and keep shoe laces tied and out of the way of the wheels.
7. Avoid streets and surfaces with water, sand, gravel, dirt, leaves, and other debris. Wet weather impairs traction, braking and visibility.
8. Excessive exposure to sunlight, temperatures below 0 degrees Celsius, water, sand, gravel, dirt, leaves, and other debris can damage, shrink, expand or weaken parts. Keep your ride in a dry environment with proper heating.
9. Avoid sharp bumps, drainage grates and sudden surface changes. Your Infento ride may suddenly stop.
10. Ride on smooth, paved surfaces away from motor vehicles. Wet, slick or uneven and rough

surfaces may impair traction and contribute to possible accidents.

11. Never risk damaging surfaces, such as carpet or flooring, by use of an Infento ride indoors.
12. Never use near motor vehicles, streets, roadways, alleys, swimming pool areas, hills, steps, sloped driveways, inclines and public highways.
13. Watch out for pedestrians, skaters, skateboards, scooters, bikes, children or animals who may enter your path, and respect the rights and property of others.
14. Avoid excessive speed associated with downhill rides.
15. Do not use at night or in periods with reduced visibility.
16. Before every use, please make sure that the complete ride and all joints have been assembled tightly, as with use, joints may wear out.
17. Before using your Infento ride, please check that the screws are tightened securely.
18. It's your own responsibility if you modify the product other than manufacturer's instructions.
19. Maintain a hold on the handlebars at all times.
20. Brake will get hot from continuous use. Do not touch after braking.
21. Periodically check hardware and tighten if necessary. Replace worn or broken parts immediately.
22. Skill is required to avoid falls or collision causing injury to the user and third parties.
23. Check operation of breaks every time before bicycle is ridden.
24. Check local laws before you start with riding.
25. Never tow wagons, other vehicles, or children on skates or skateboards.
26. Make certain that anyone who uses an Infento ride has been fully instructed in its operation.
27. Instruct your child on how to use the breaks.
28. Do not perform stunts.
29. Never use headphones or a cell phone when riding.
30. Only one rider at a time on an Infento ride.
31. Do not allow children to stand on the product at any time.

FAILURE TO USE COMMON SENSE AND HEED THE ABOVE WARNINGS INCREASES RISK OF SERIOUS INJURY. USE WITH APPROPRIATE CAUTION AND SERIOUS ATTENTION TO SAFE OPERATION.

SAFETY SECTION



OUR KITS CONTAIN SMALL PARTS

This package contains small parts which, before assembly, present a choking hazard to children under the age of three. Care should be taken during unpacking and assembly to insure that all small parts and plastic bags are accounted for and kept out of the reach of children.

QUESTIONS? HELP NEEDED?

You can email us at:
support@infento.com
and our team will assist you as soon as possible.



MAINTENANCE | INSTRUCTION



Inspect the product frequently. Failure to inspect the product and to make repairs or adjustments, as necessary, can result in injury to the rider or to others.

1. Make sure all parts are correctly assembled and adjusted as written in this manual.
2. Oil or grease moving parts periodically. Every 6 month.
3. Check nuts and bolts often and tighten if necessary. Every time you use your ride.
4. Any parts how are missing, showing evidence or wear should be replaced immediately.
5. Follow closely the assembly instructions pertaining to the proper adjustments of parts
6. Periodically check the brake system for proper function. Every time you use your ride.
7. Periodically check the steering mechanism for proper function. Every time you use your ride.
8. Check the air pressure in the tires to be the amount specified in the manual. Every time you use your ride.
9. Periodically check the bicycle's tooth belt to be sure that it is not too lose which could allow the chain to slip off the sprockets.

RECOMMENDED TOOLS



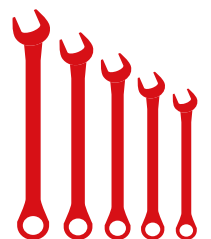
4 x Allen key
3, 4, 5, 6 mm



1 x Tapeline



1 x T-handle
for Allen key



5 x Wrench
10, 13, 14, 15, 19 mm



1

ride **BIKER**

Bolt M8x20
(low head) 1x

+

L-joint 1x

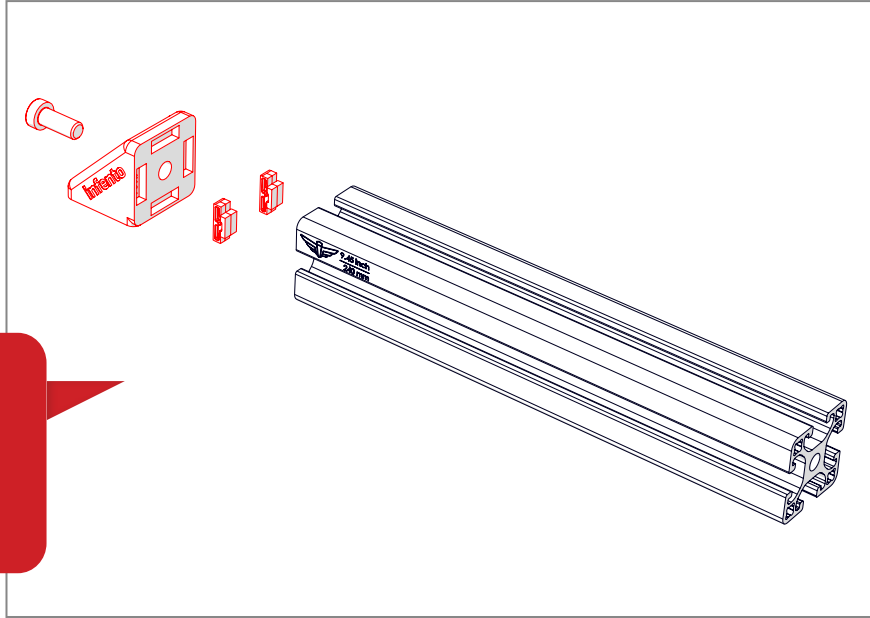
+

T-Positioning block 2x

+

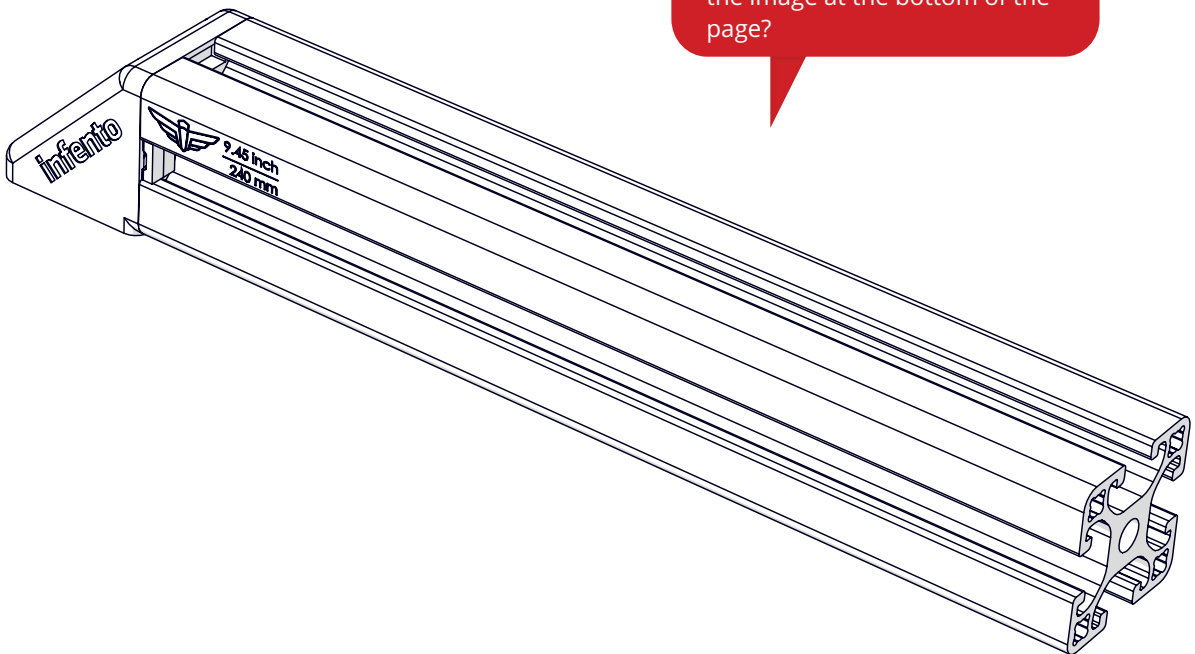
Profile 1x
9.45 inch | 240 mm

First, get all required materials stated here and then follow the instructions.



Tighten bolts with full force (15nm) to prevent them coming loose.

Double check here:
Does your result looks exactly like the image at the bottom of the page?

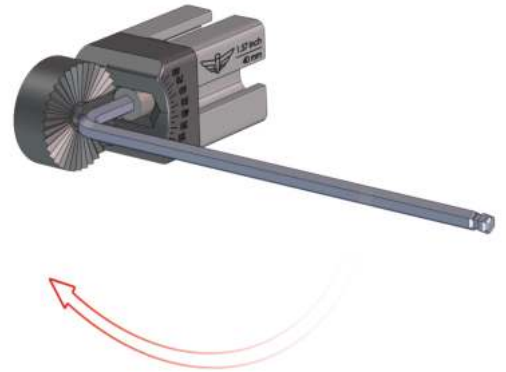


TOP 3 REQUIREMENTS MAKING A GREAT INFENTO EXPERIENCE:



1

Tighten bolts with full force (15Nm) to prevent them from coming loose.



2

Constructing and playing always under supervision of an adult.



3

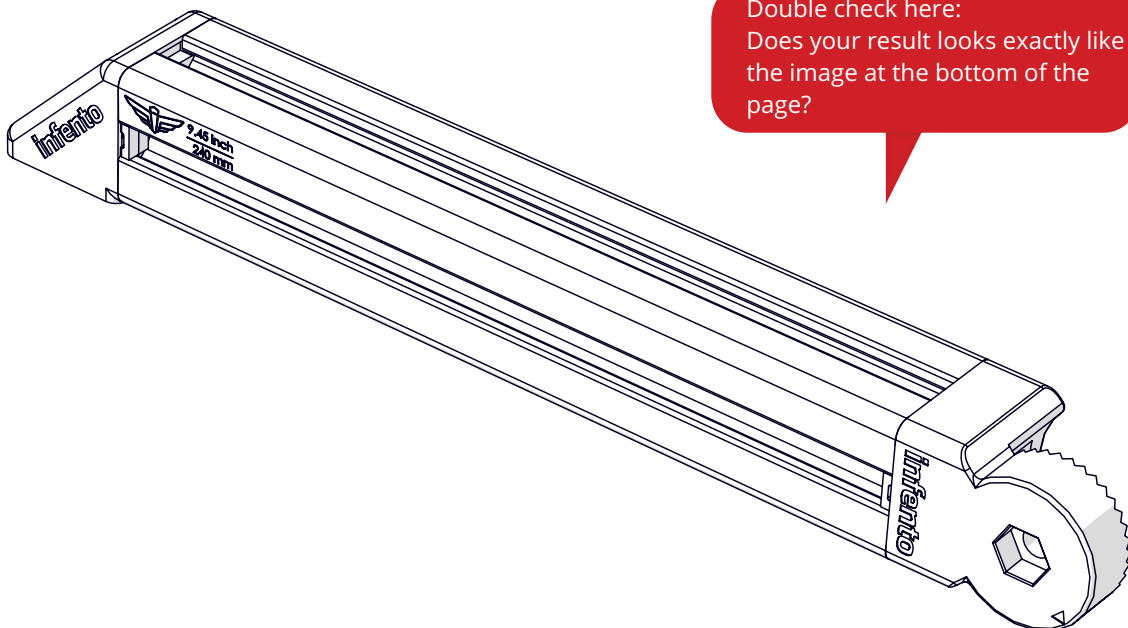
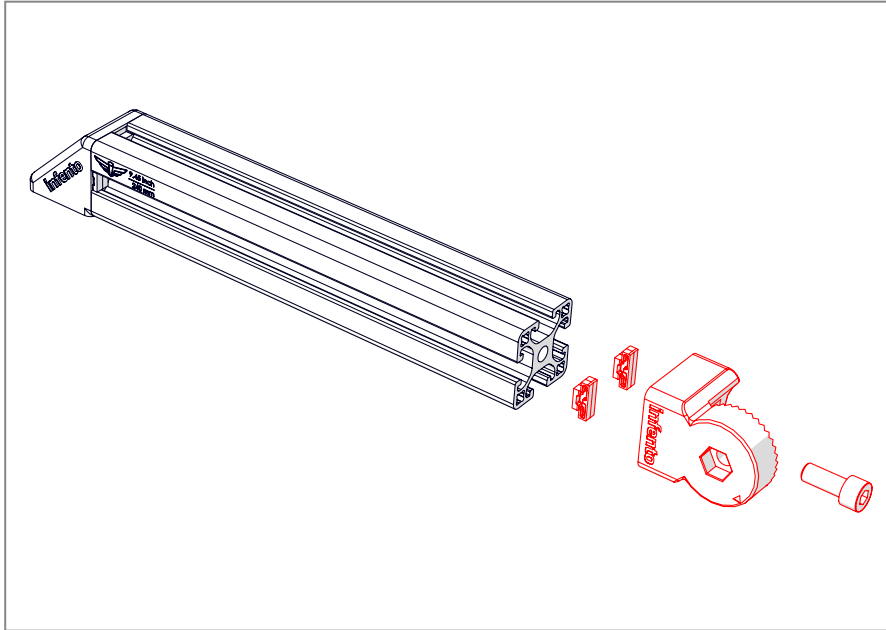
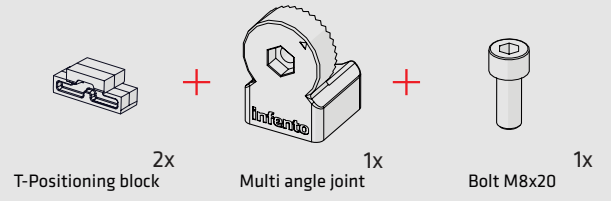
Check frequently if all parts are still firmly tightened and function properly.





2

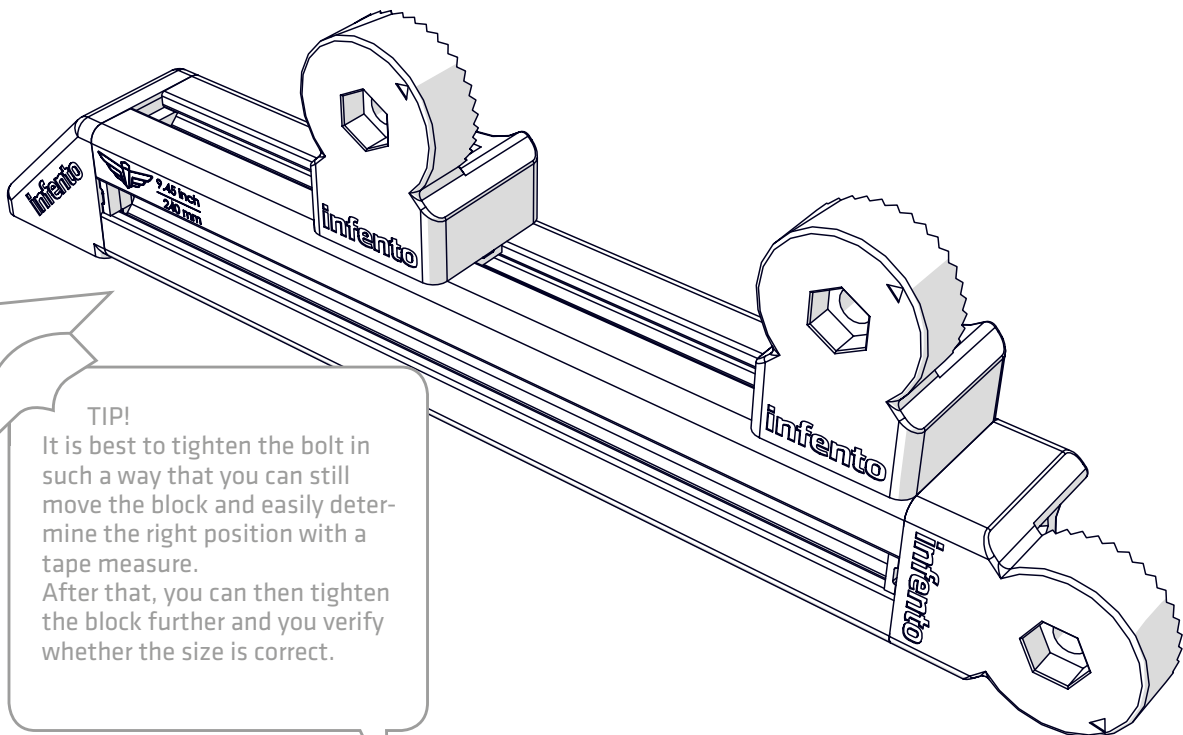
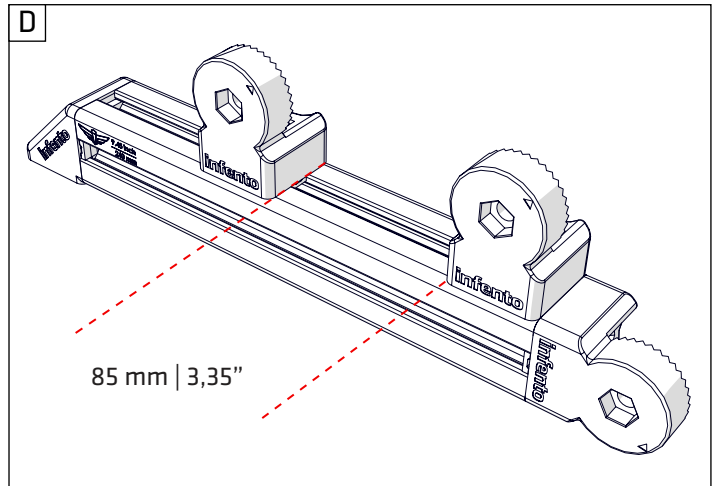
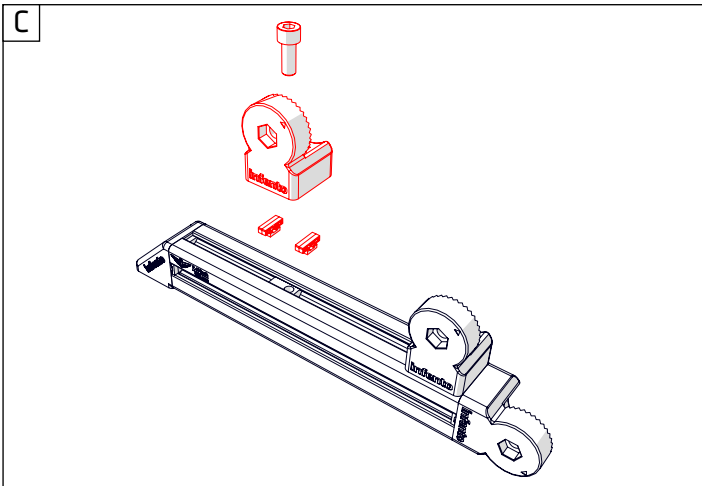
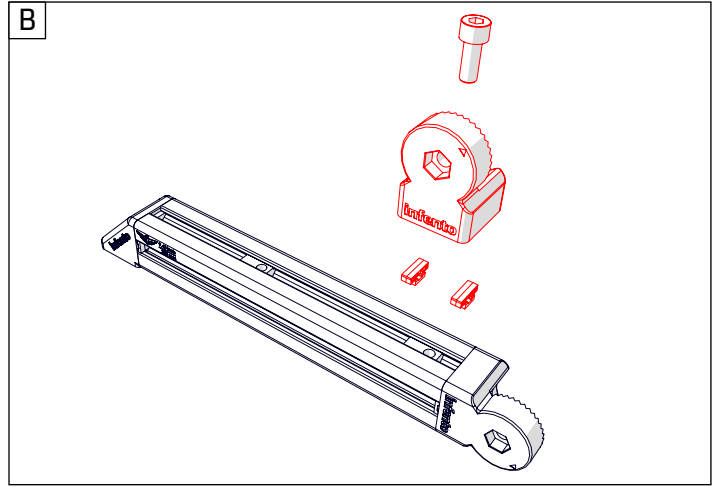
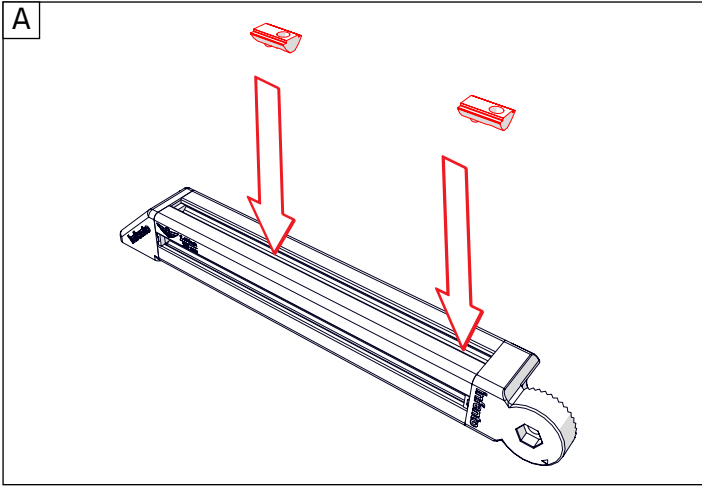
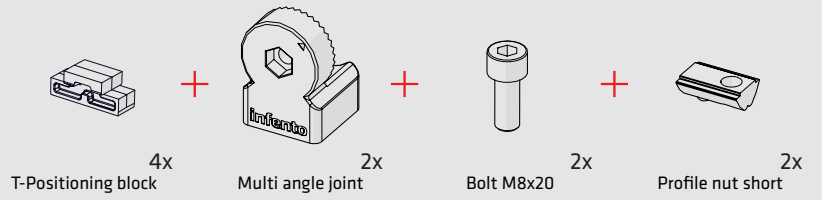
ride **BIKER**





3

ride **BIKER**




TIP!


It is best to tighten the bolt in such a way that you can still move the block and easily determine the right position with a tape measure. After that, you can then tighten the block further and you verify whether the size is correct.



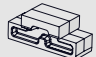
4

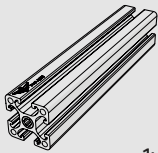
ride **BIKER**

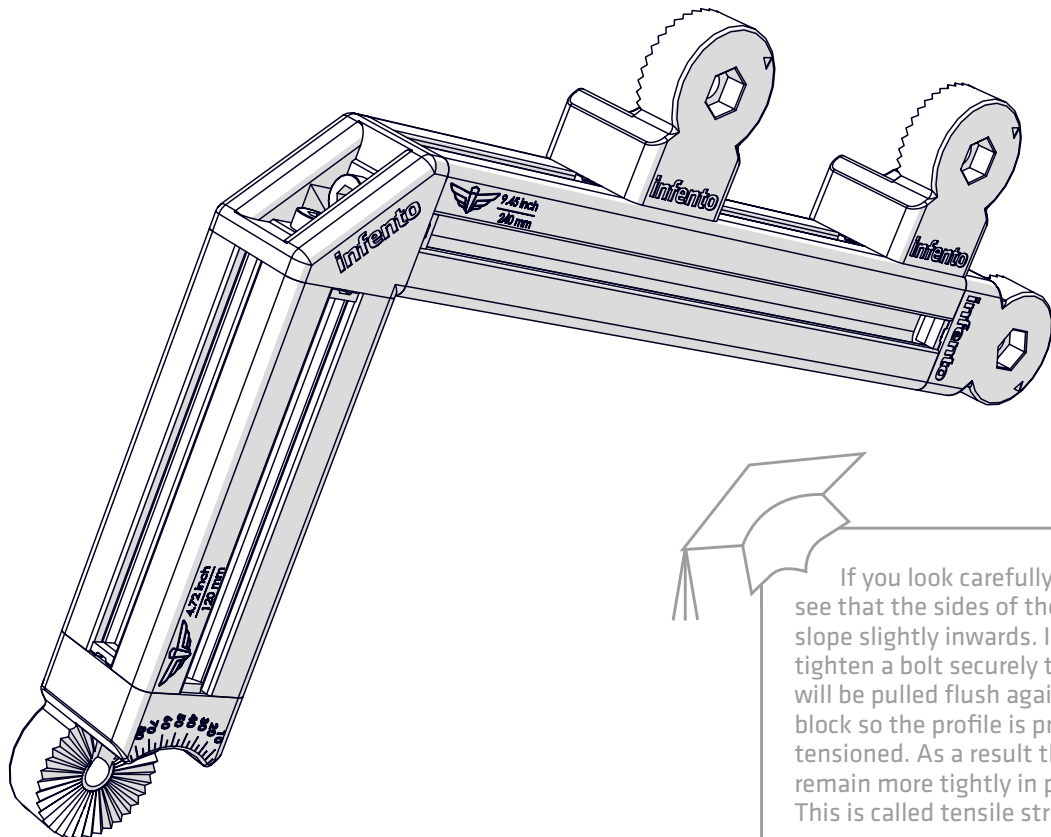
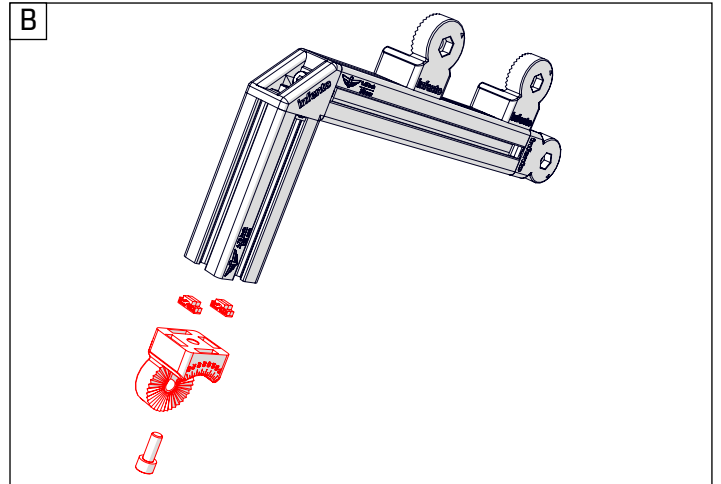
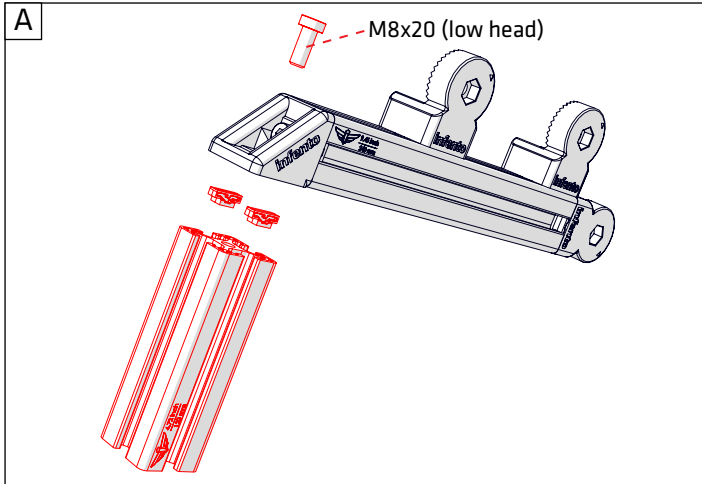
 1x
Multi angle joint

 1x
Bolt M8x20

 1x
Bolt M8x20 (low head)

 4x
T-Positioning block

 1x
Profile 4.72 inch | 120 mm

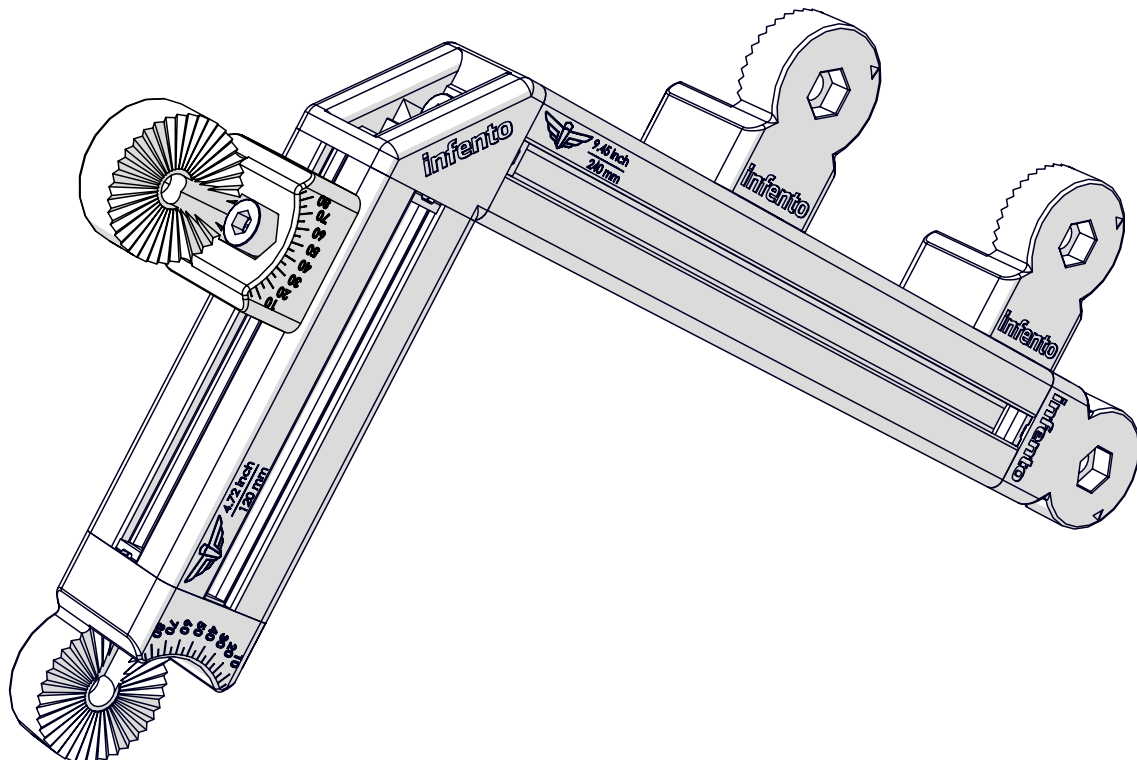
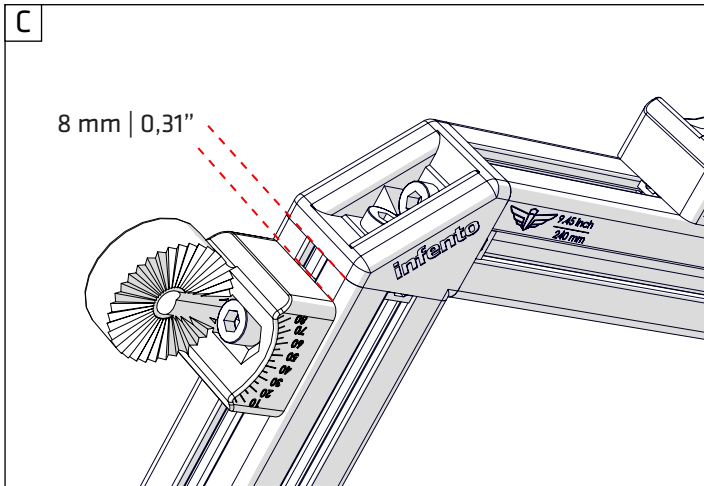
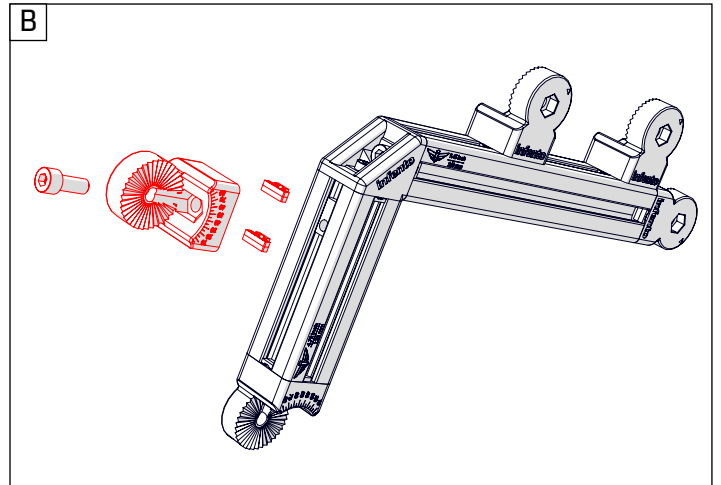
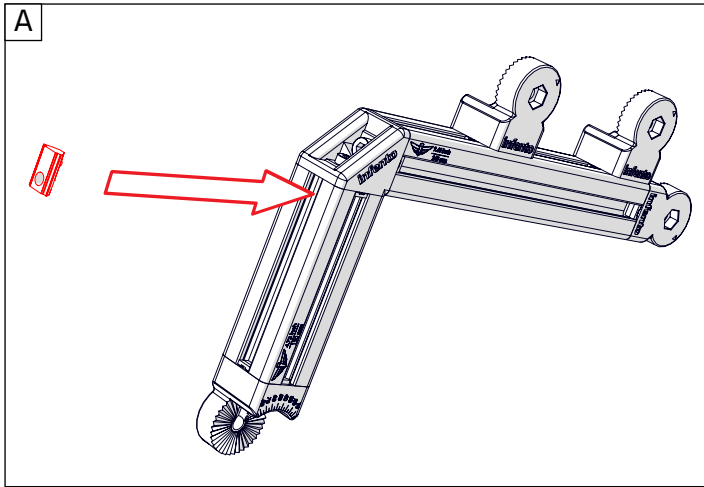
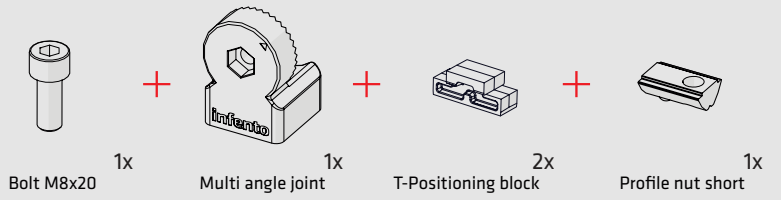


If you look carefully you can see that the sides of the profile slope slightly inwards. If you tighten a bolt securely the profile will be pulled flush against the block so the profile is properly tensioned. As a result the bolts remain more tightly in place. This is called tensile stress.



5

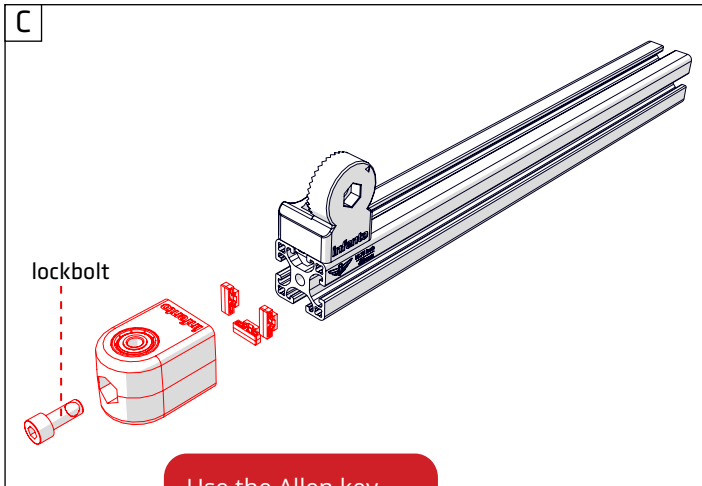
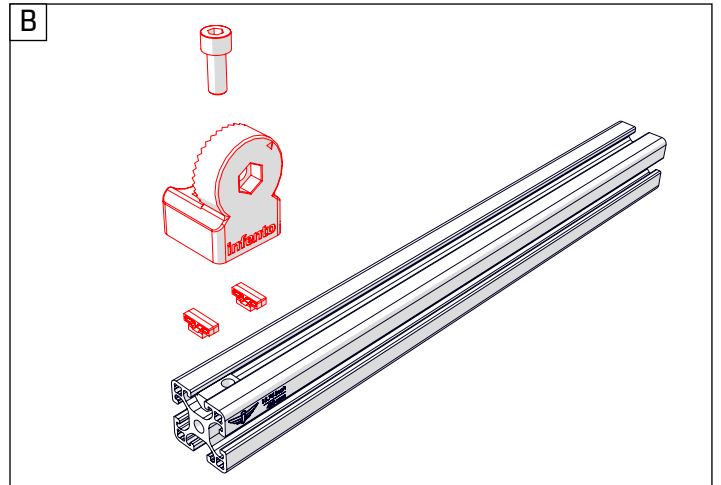
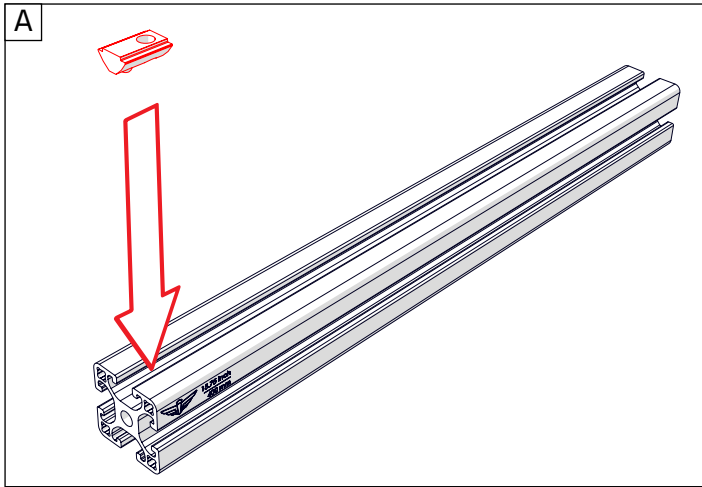
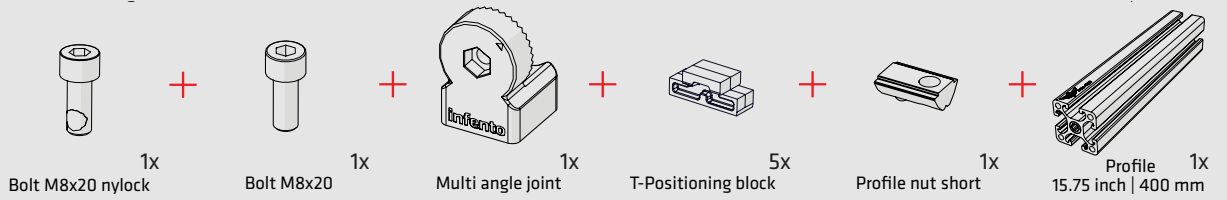
ride BIKER



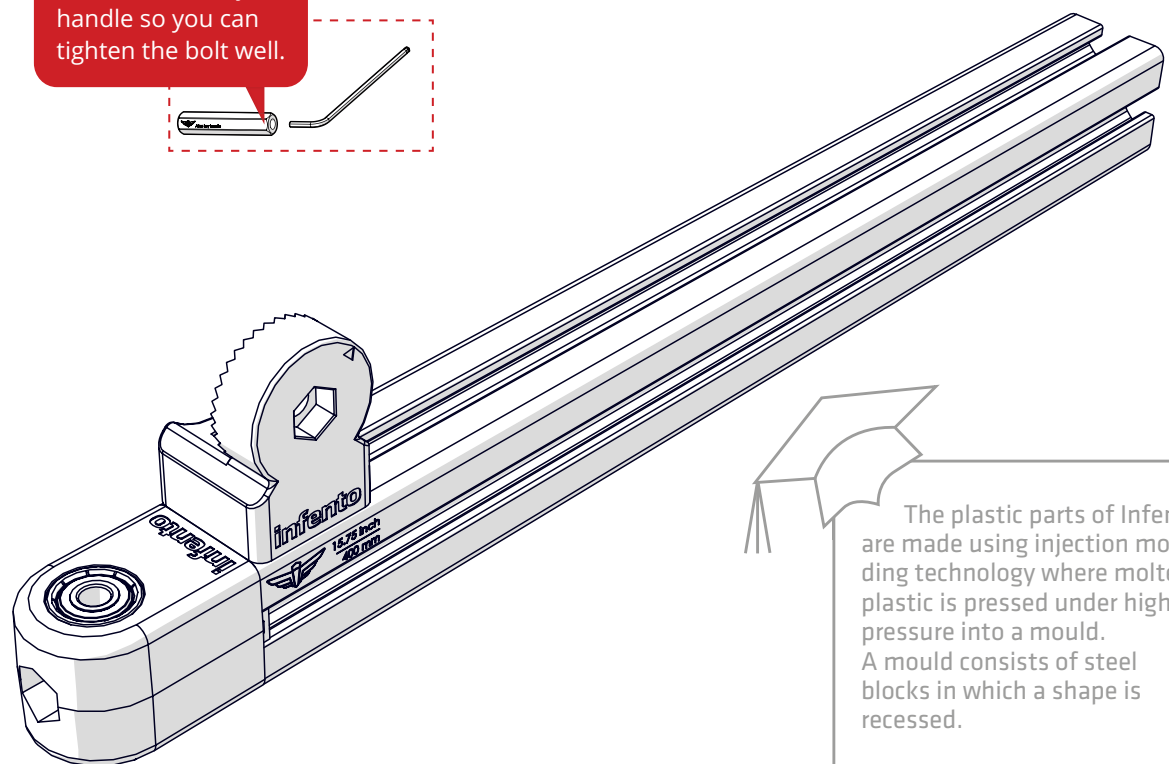


6

ride **BIKER**



Use the Allen key handle so you can tighten the bolt well.



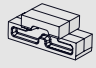
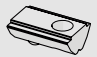


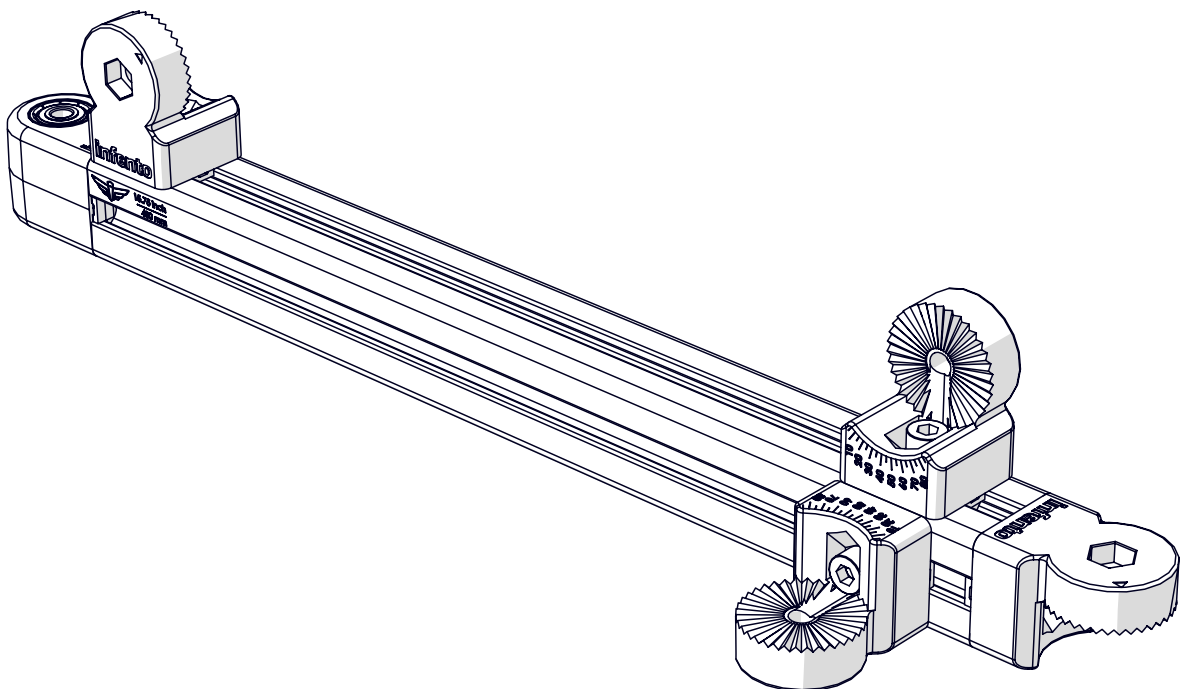
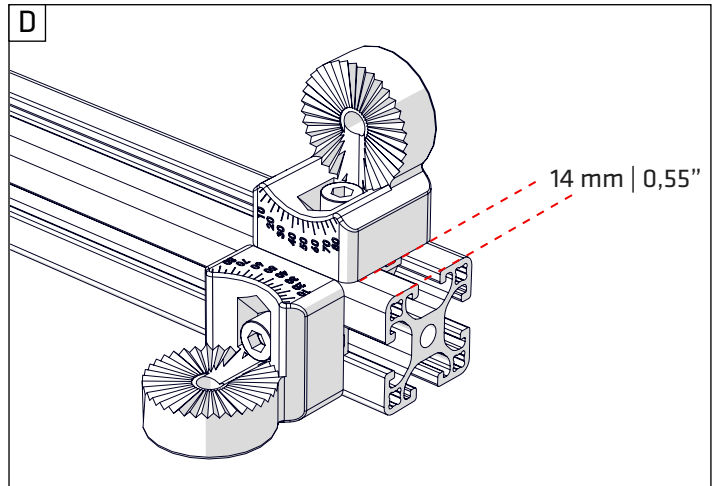
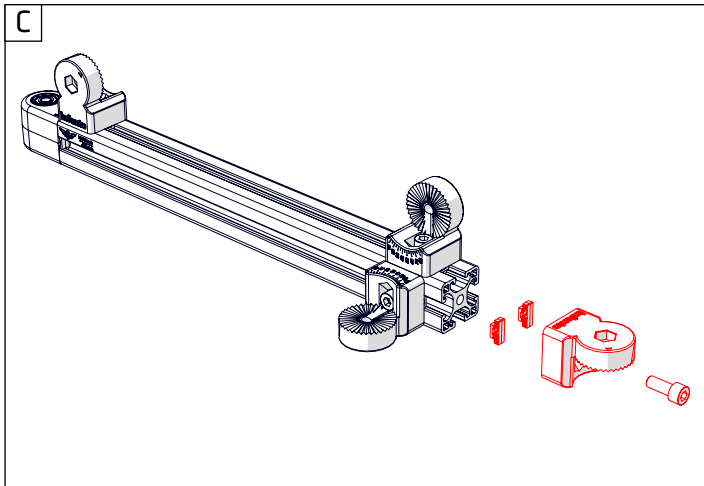
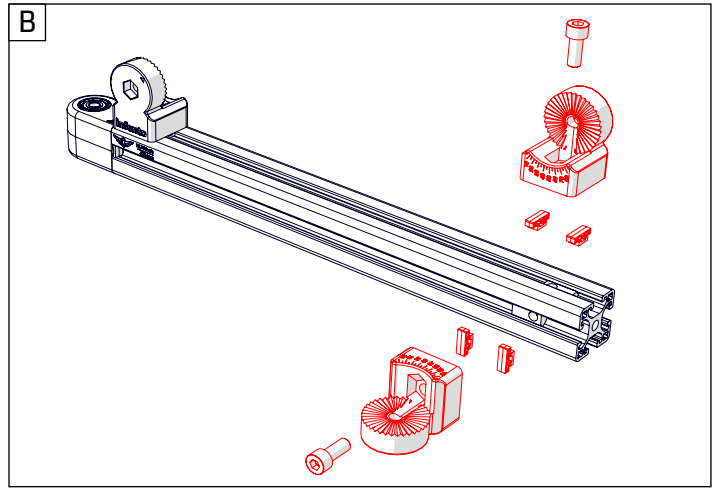
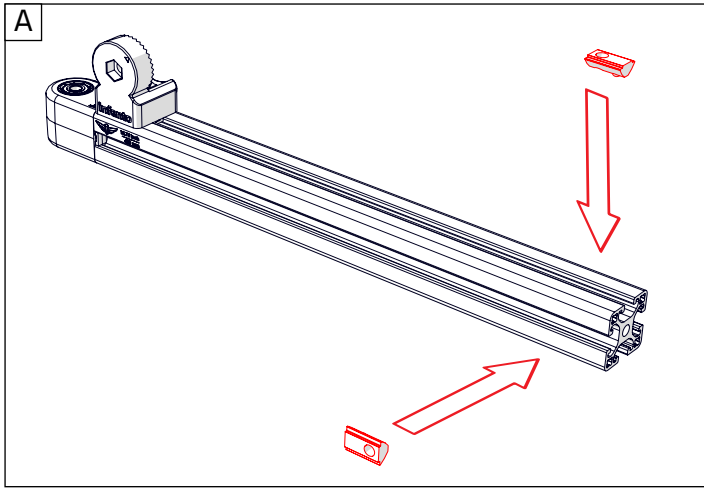
The plastic parts of Infento are made using injection moulding technology where molten plastic is pressed under high pressure into a mould. A mould consists of steel blocks in which a shape is recessed.



7

ride **BIKER**

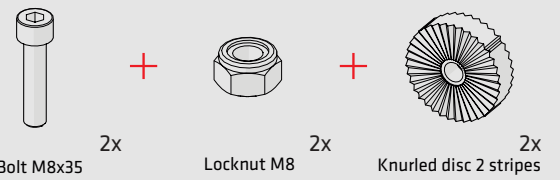
-  Bolt M8x20
 -  Multi angle joint
 -  T-Positioning block
 -  Profile nut short
- 3x 3x 6x 2x



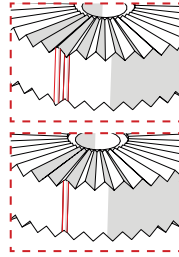
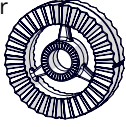


8

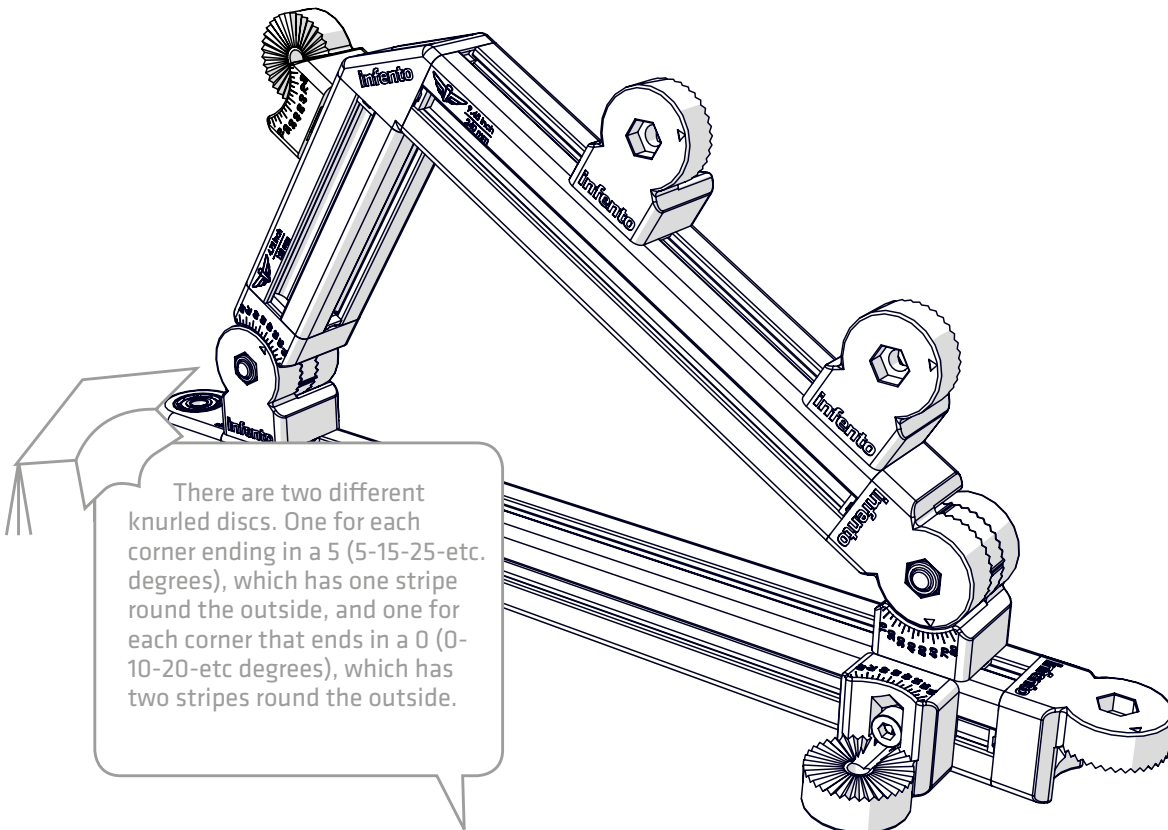
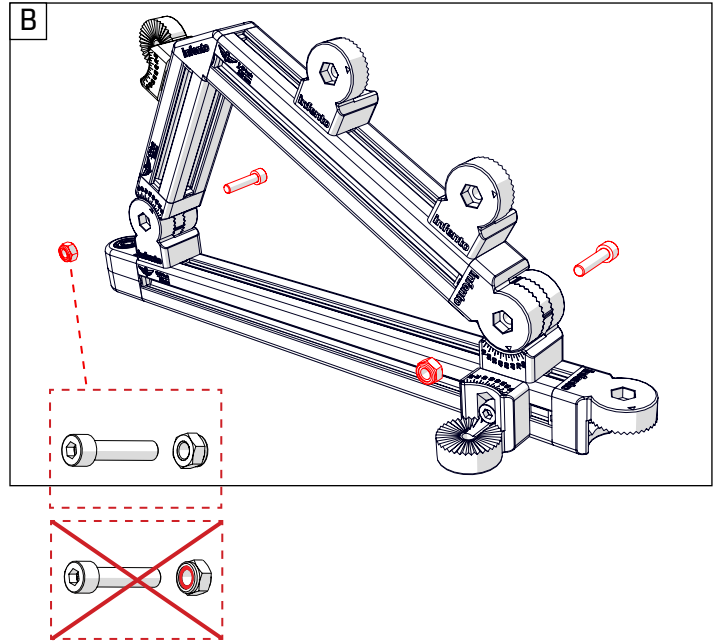
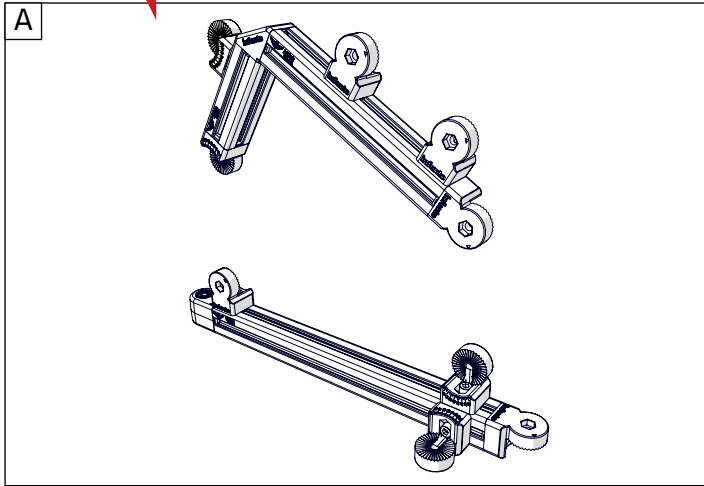
ride **BIKER**



Depending on your Kit, the knurled discs can be of a different type, looking like this:



There are two types of knurled discs. Please see education section.

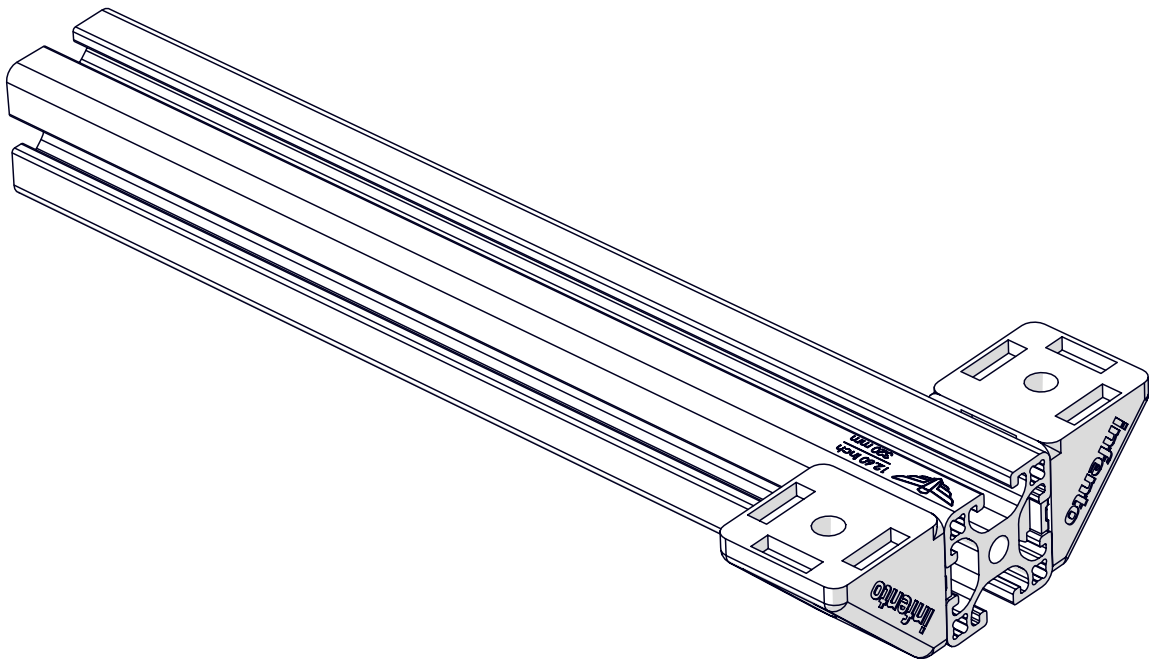
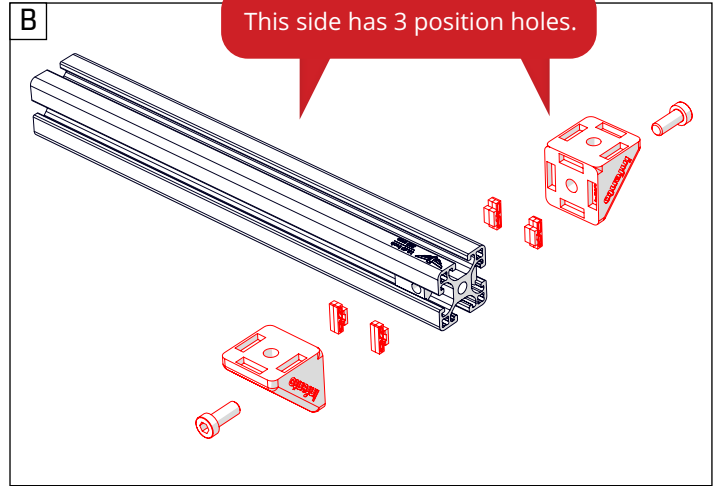
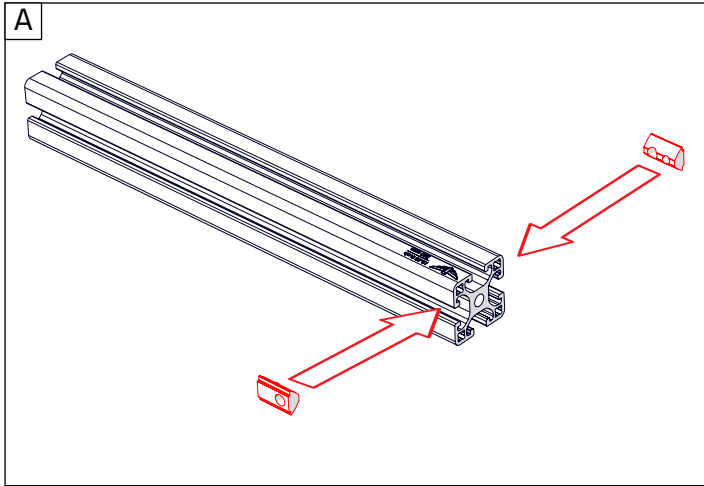
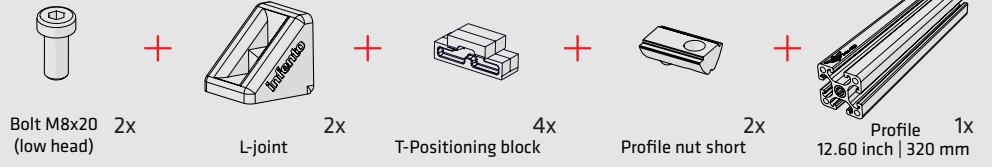


There are two different knurled discs. One for each corner ending in a 5 (5-15-25-etc. degrees), which has one stripe round the outside, and one for each corner that ends in a 0 (0-10-20-etc degrees), which has two stripes round the outside.



9

ride **BIKER**

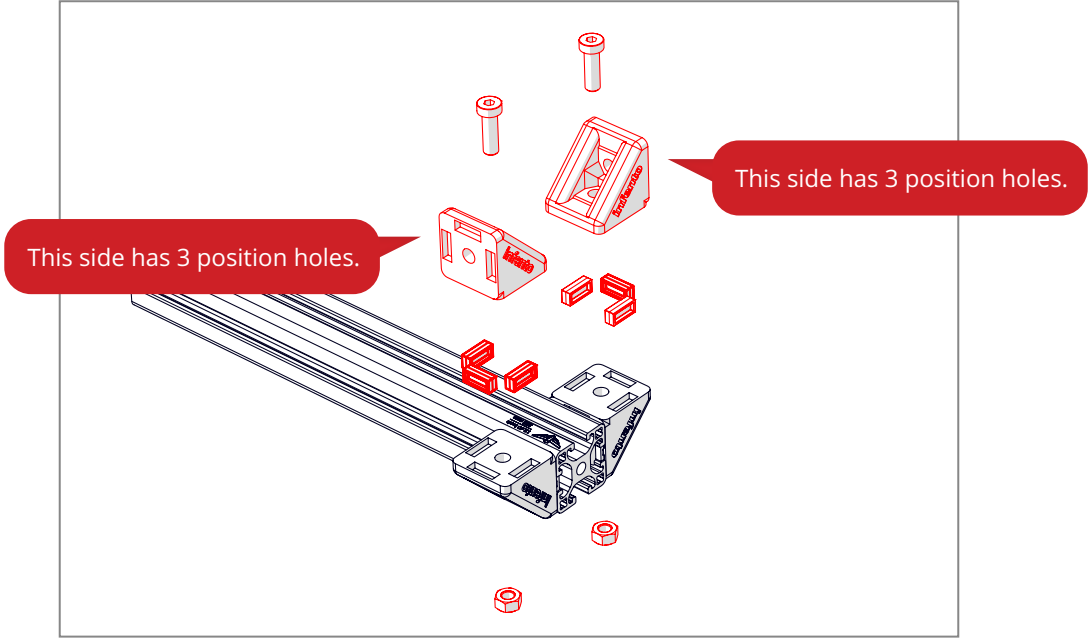




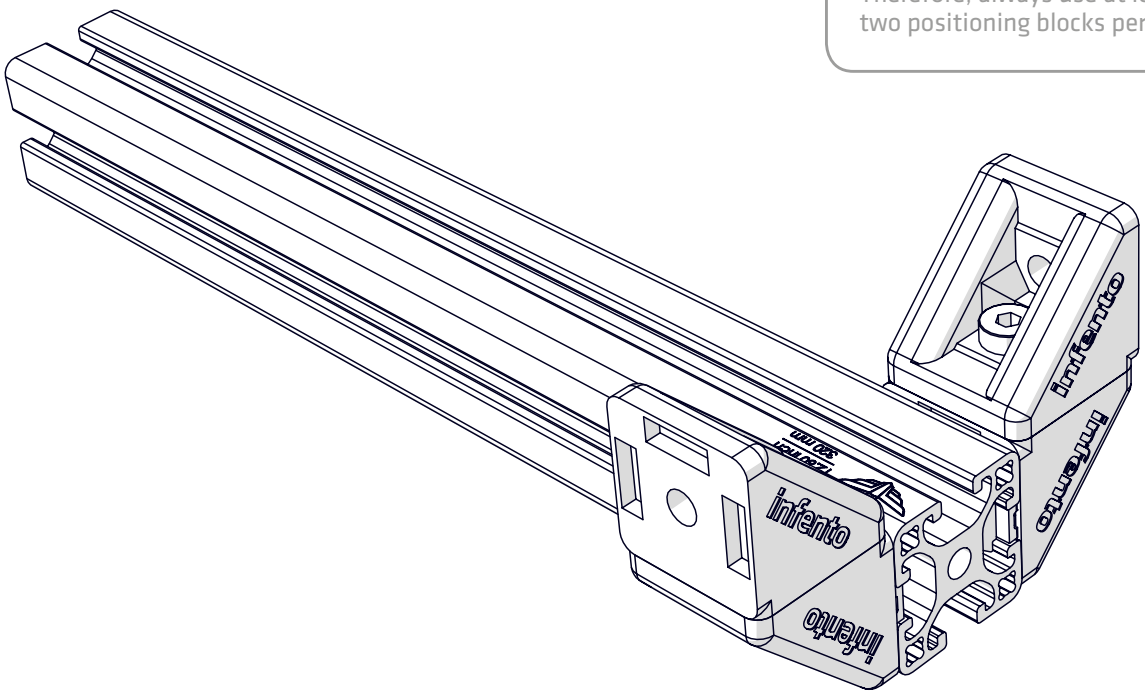
10

ride **BIKER**

- Bolt M8x25 (low head) 2x + L-joint 2x + Positioning block 6x + Nut M8 2x



The positioning blocks are some of the smallest Infento parts but they are also some of the most important. They ensure that everything connects to each other properly. This prevents parts from twisting and coming loose when under pressure. Therefore, always use at least two positioning blocks per block.





11

ride **BIKER**



Protect cap 1x

+



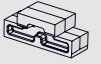
Bolt M8x20 (low head) 1x

+

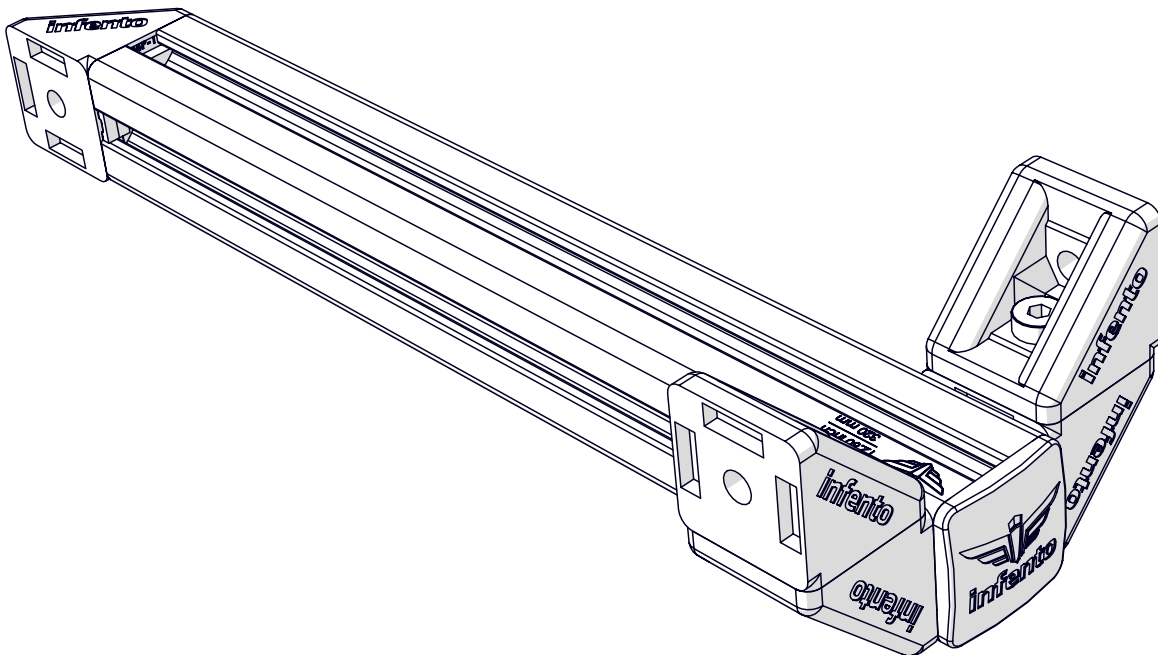
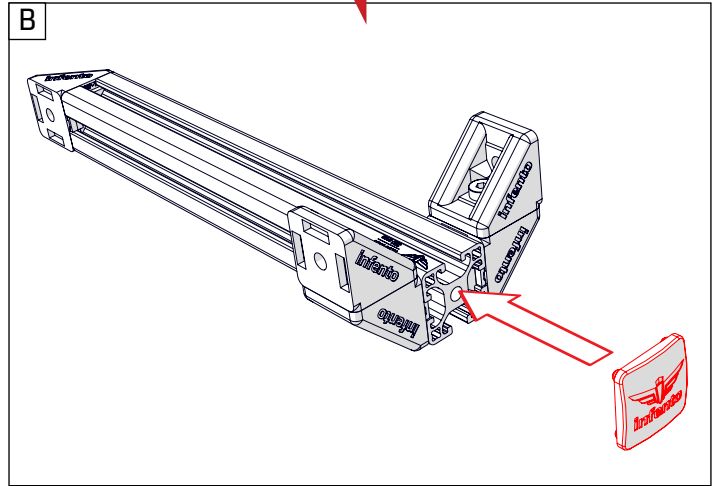
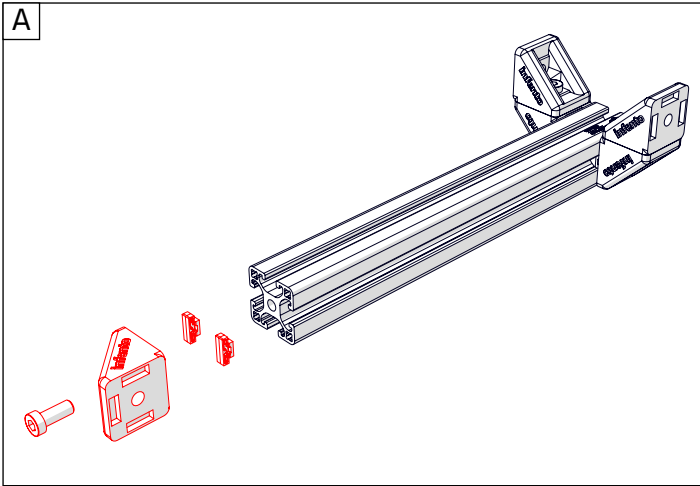
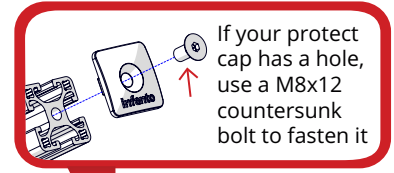


L-joint 1x

+



T-Positioning block 2x

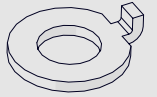




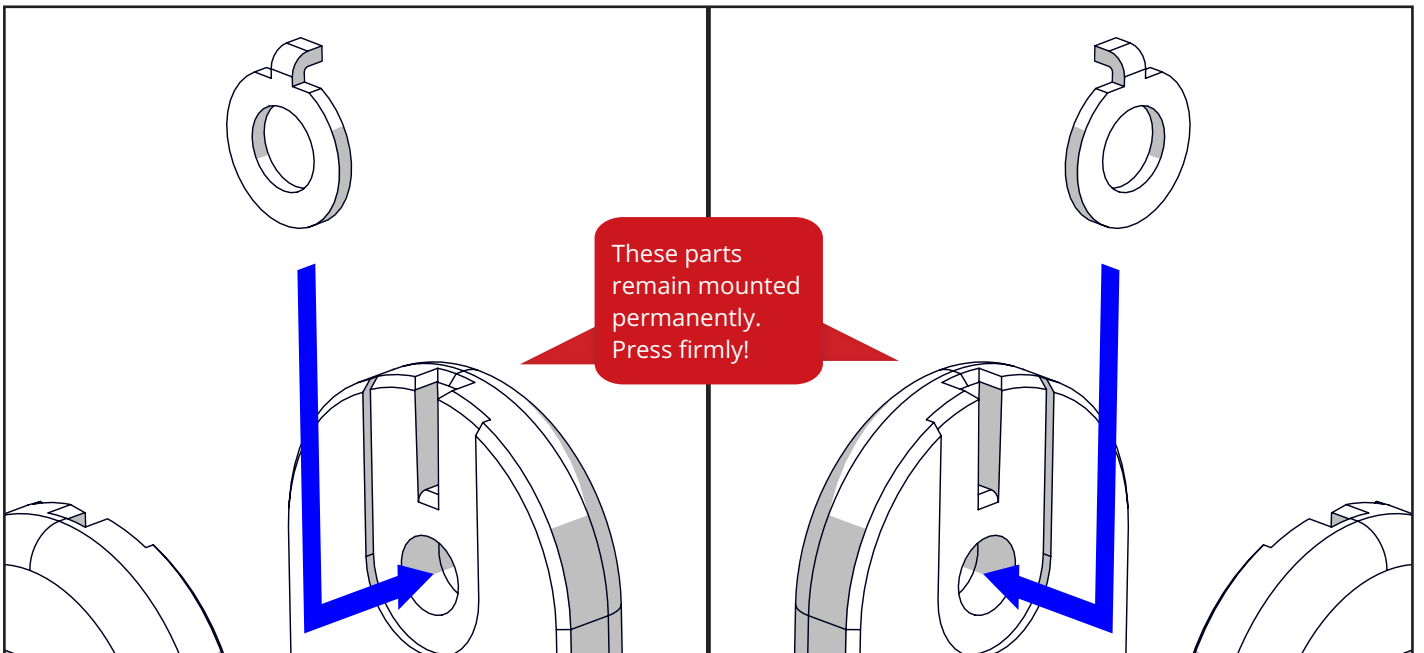
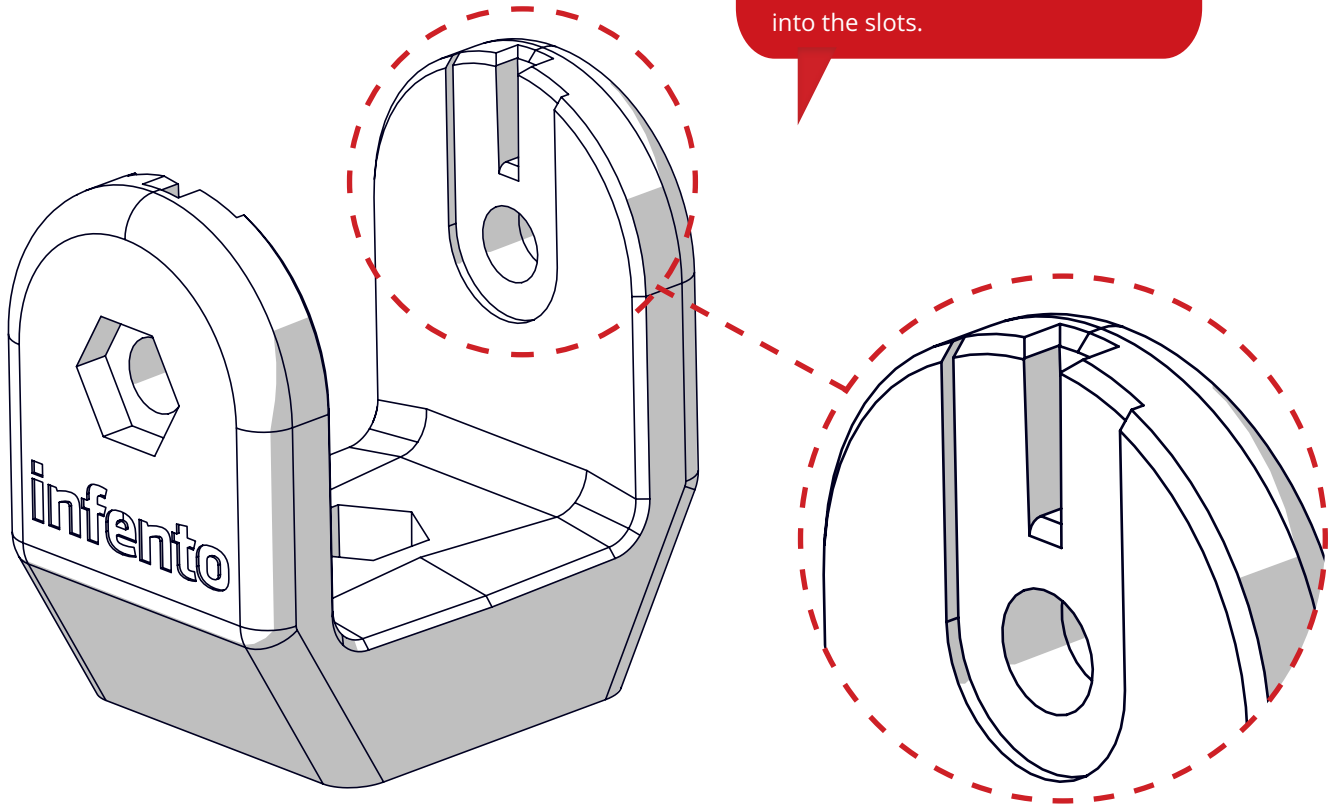
12

ride **BIKER**

If your Kit contains a white fastener bag with 12 Nock Washers, please follow the steps on this page. If not, please skip to the next page of the manual.



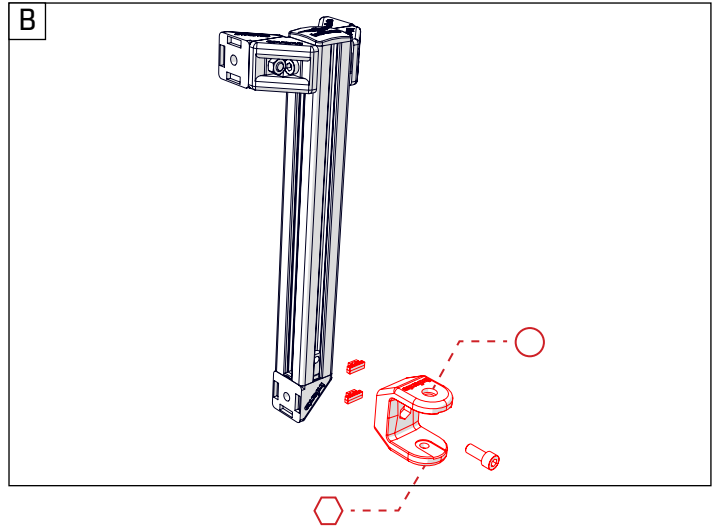
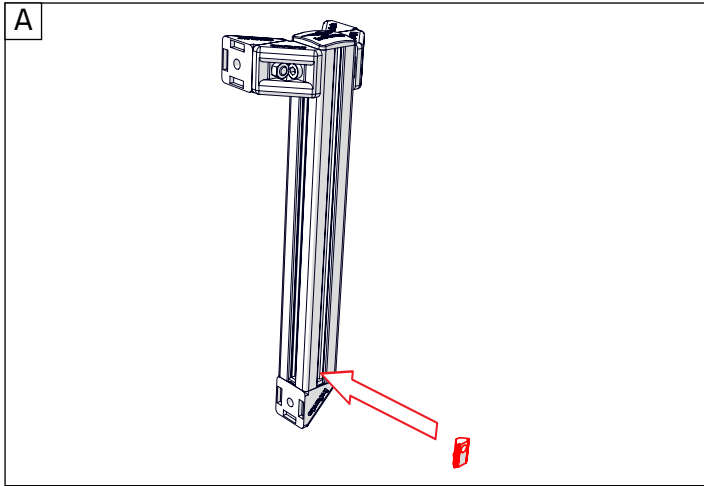
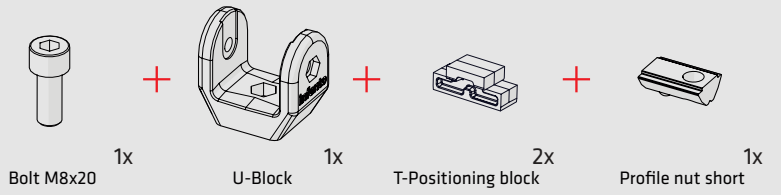
2x
Nock washer M8-16





13

ride *BIKER*



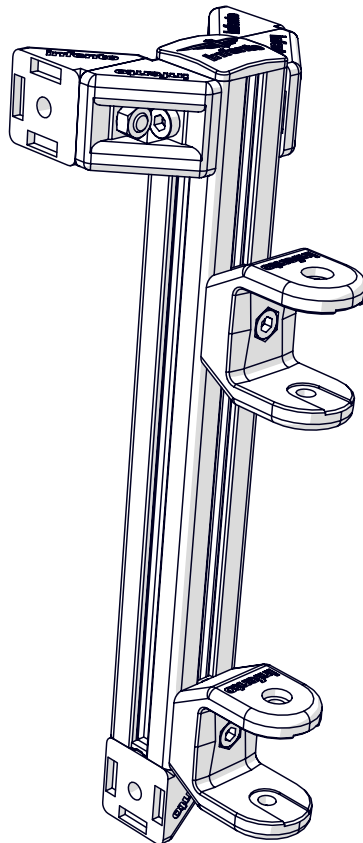
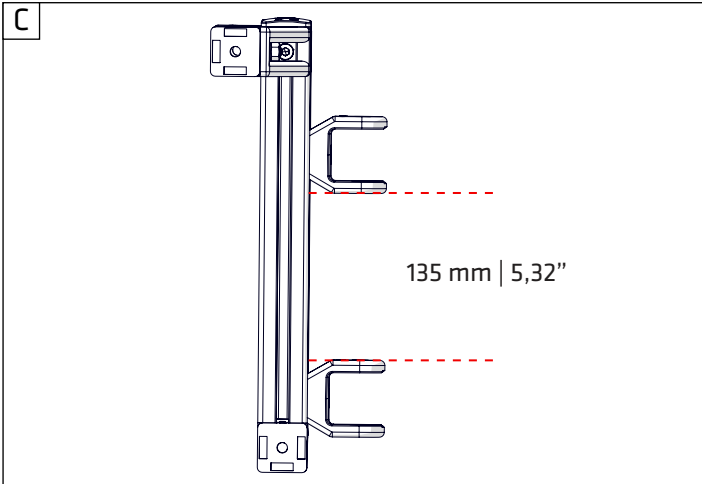
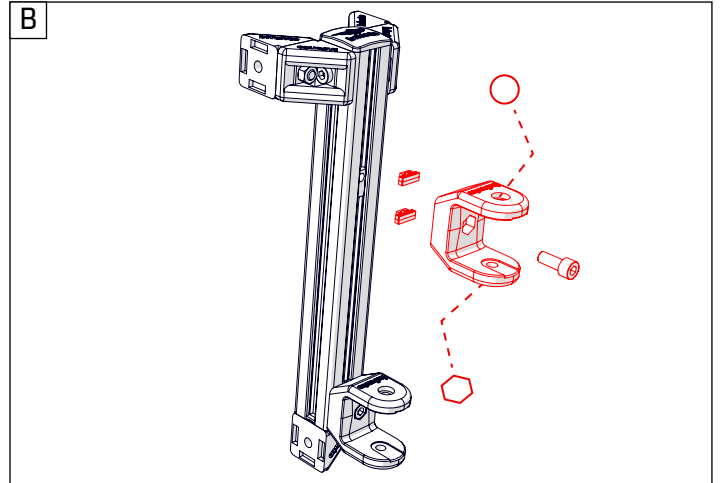
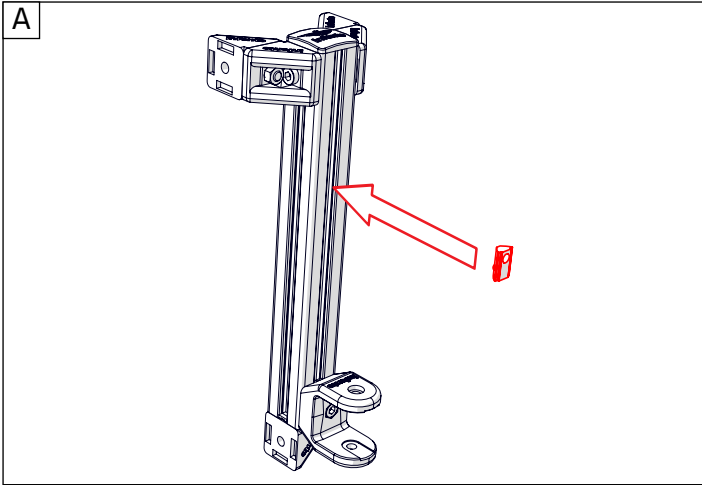
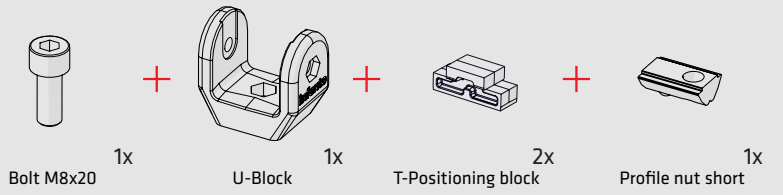
If your U-block or Kit doesn't have the M8-16 Nock Washers, you can use the regular M8-16 washers as shown here.





14

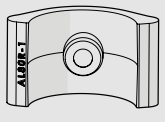
ride **BIKER**





15

ride **BIKER**



Angle limiter 40° 1x



Bolt M8x25 1x



Bearing block 40x40_8 1x



Positioning block 2x

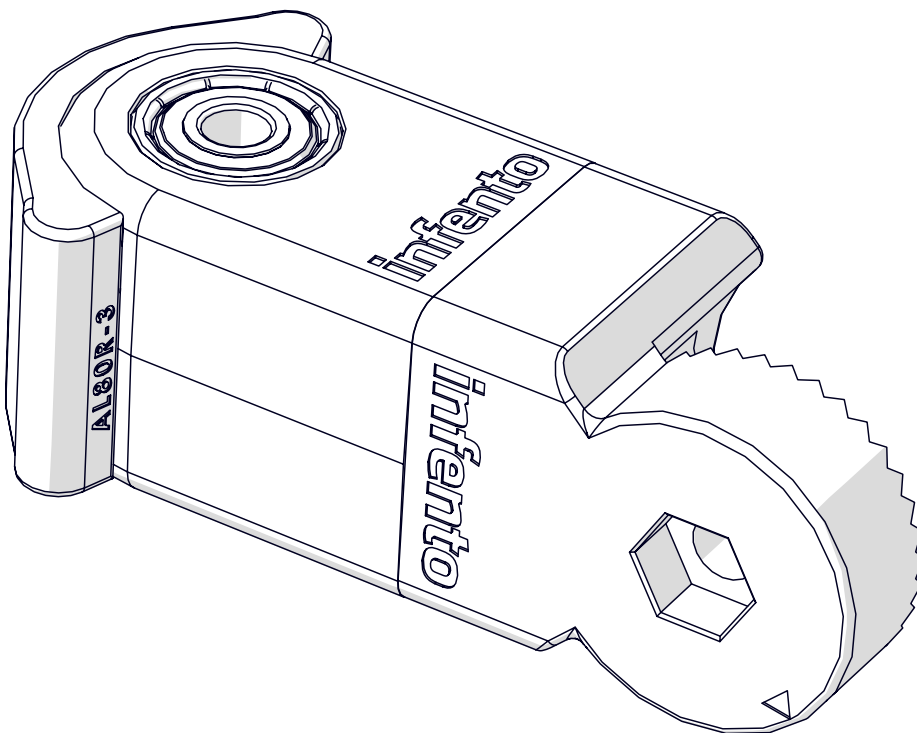
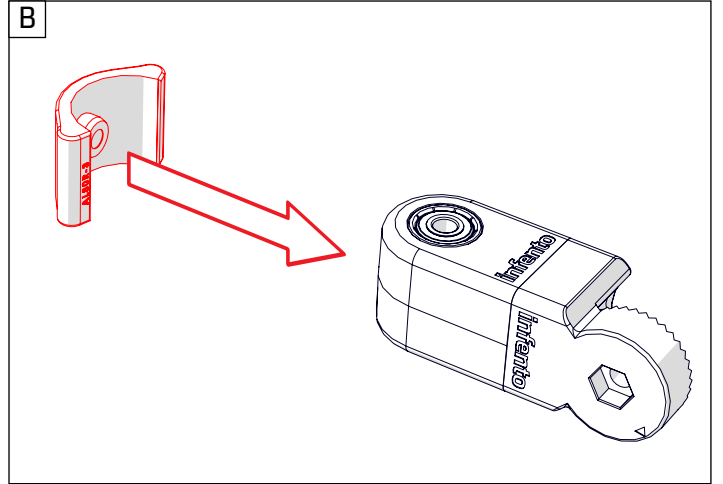
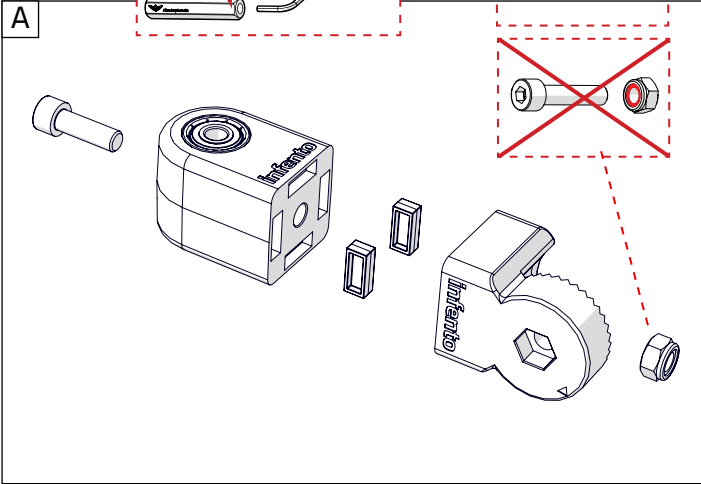
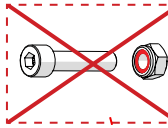


Multi angle joint 1x



Locknut M8 1x

Use the Allen key handle so you can tighten the bolt well.





16

ride *BIKER*



1x

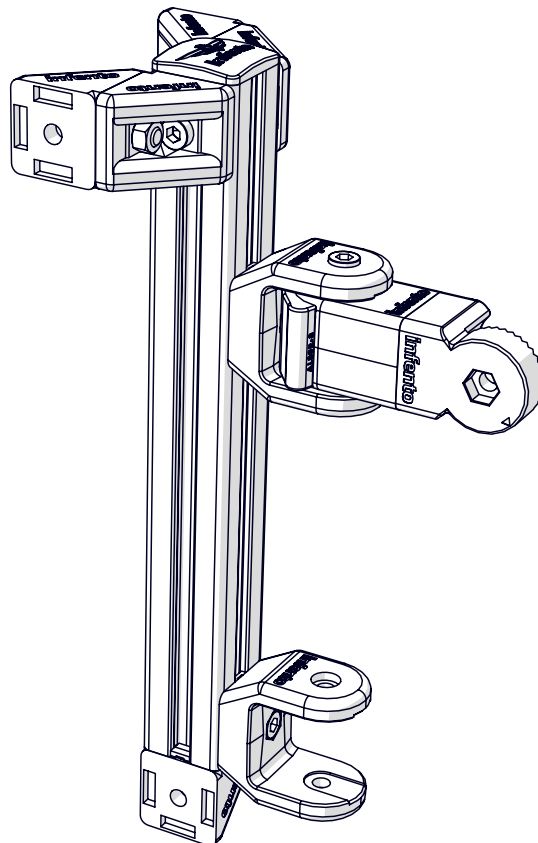
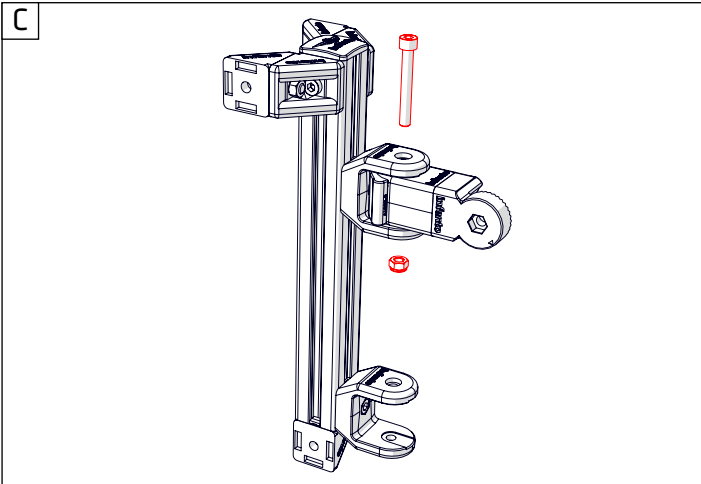
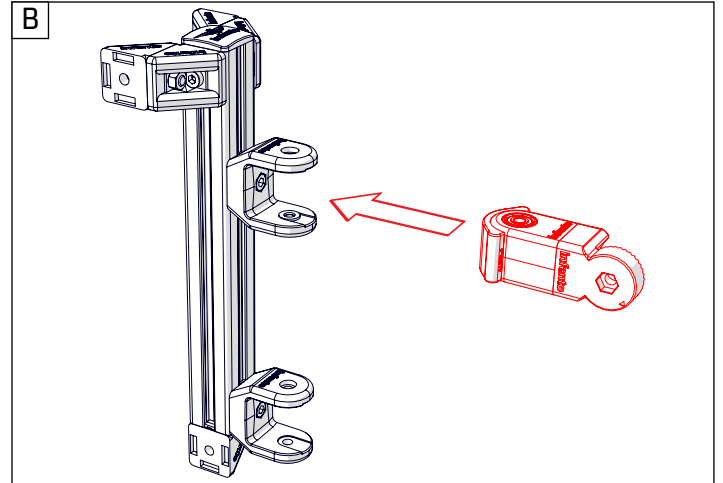
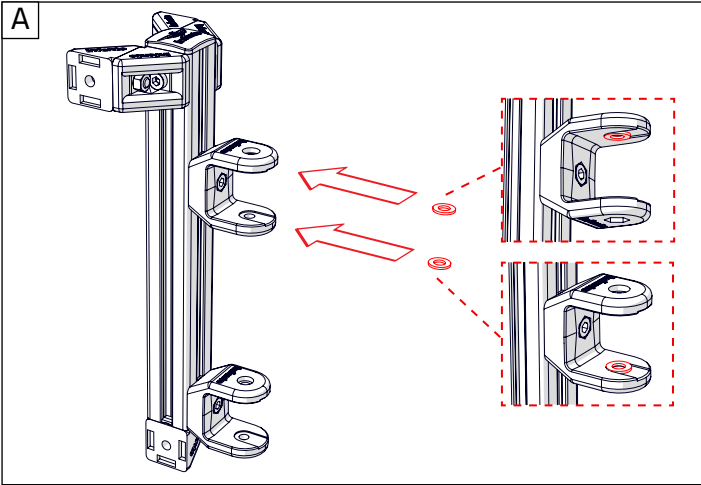


1x



2x

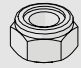

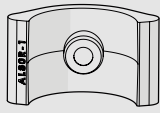

Washer M8-16

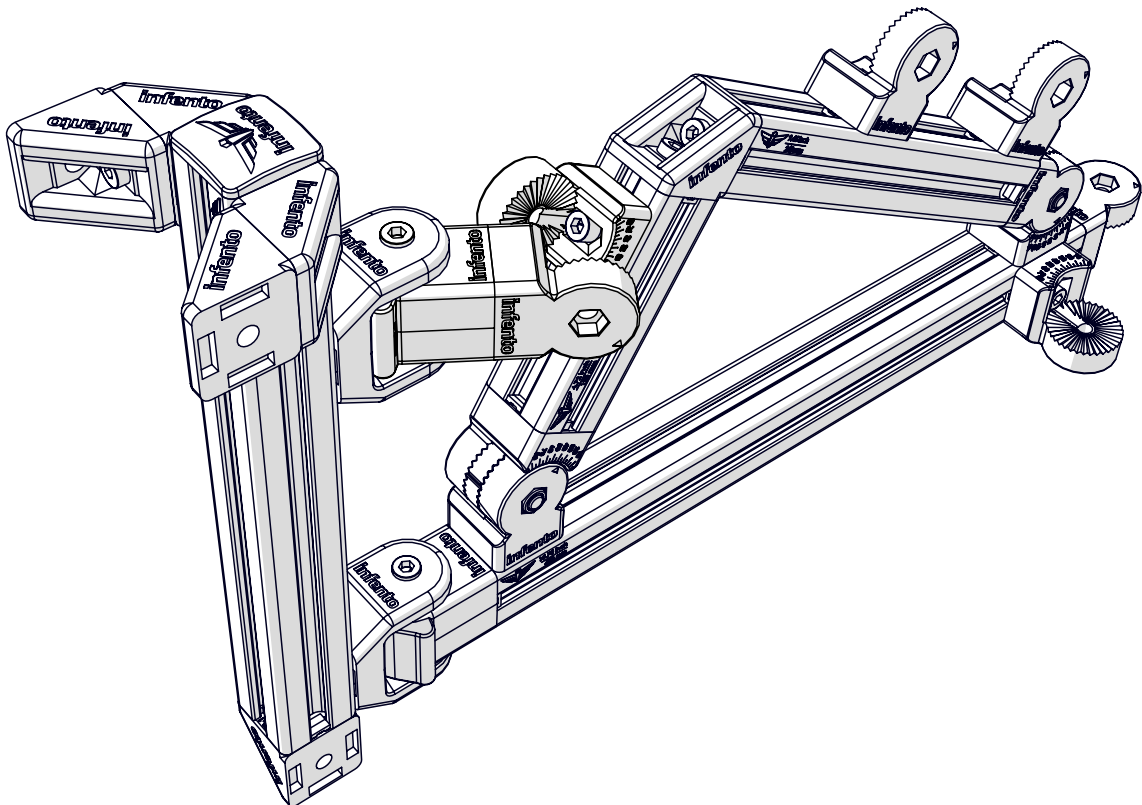
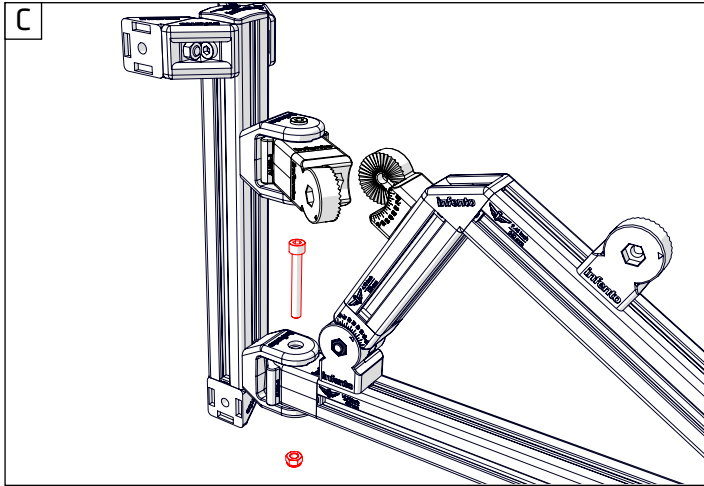
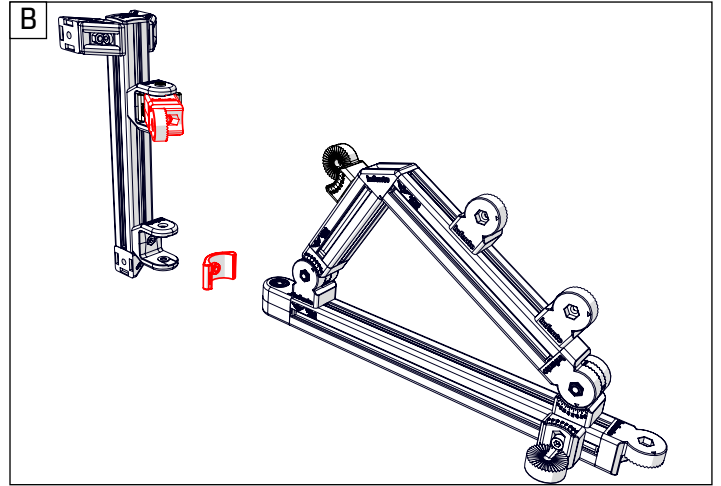
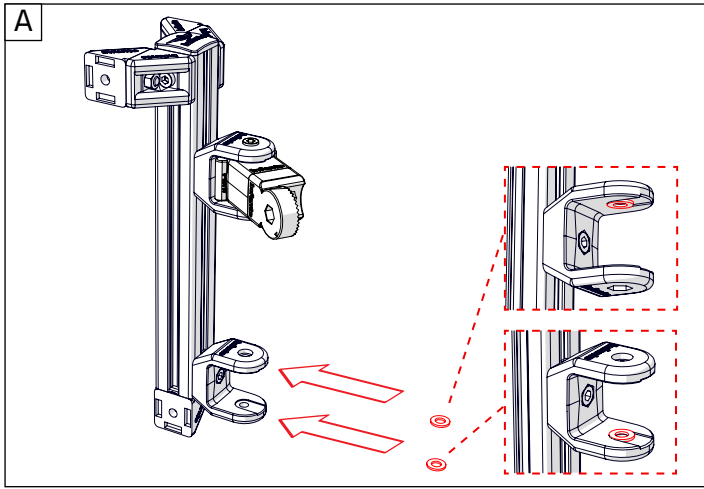




17

ride **BIKER**

- 
Locknut M8 1x
- 
Bolt M8x60 1x
- 
Angle limiter 40° 1x
- 
Washer M8-16 2x





18

ride **BIKER**



1x

Locknut M8

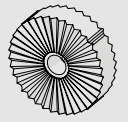
+



1x

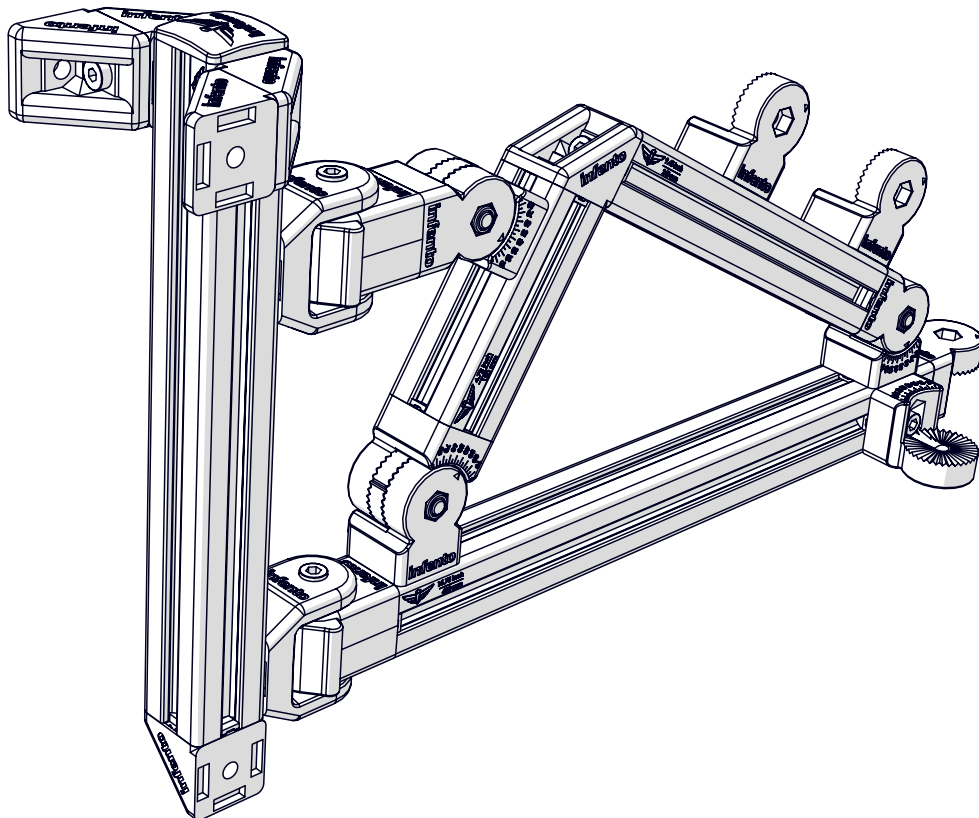
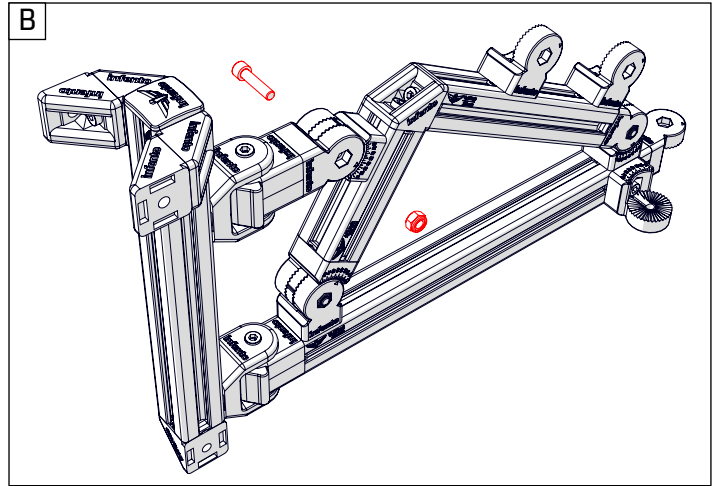
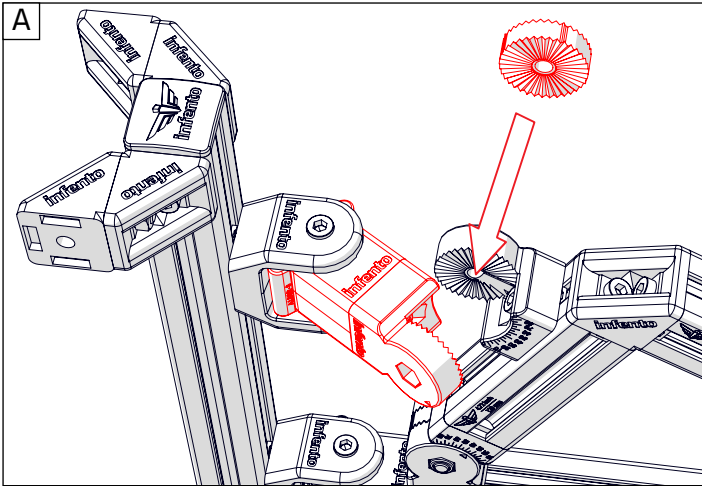
Bolt M8x35

+



1x

Knurled disc 2 stripes





19

ride **BIKER**



Axle clamp 1x



Bolt M8x20 nylock 1x



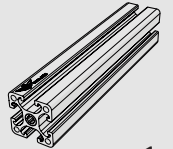
Bolt M8x20 (low head) 1x



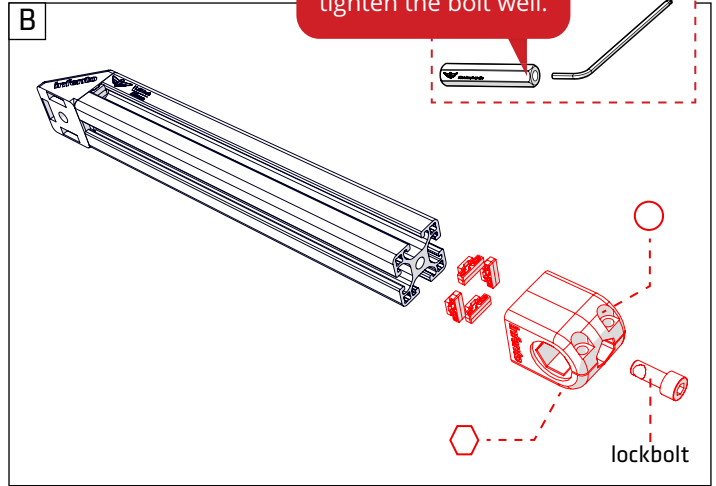
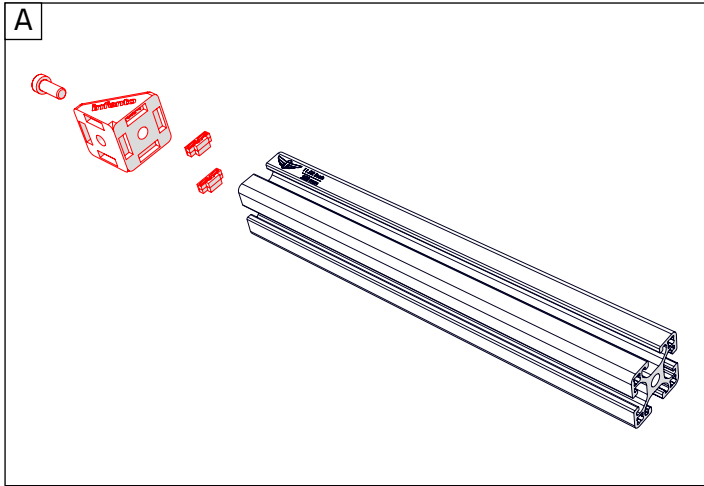
L-joint 1x



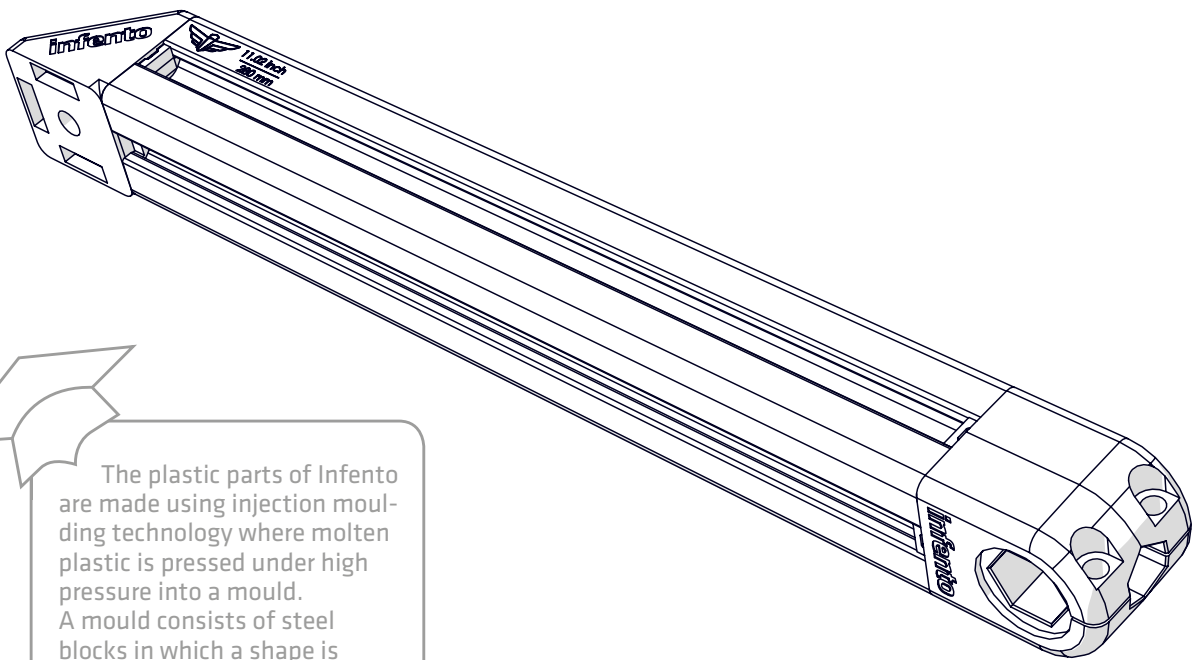
T-Positioning block 1x



Profile 1x
11.02 inch | 280 mm



Use the Allen key handle so you can tighten the bolt well.



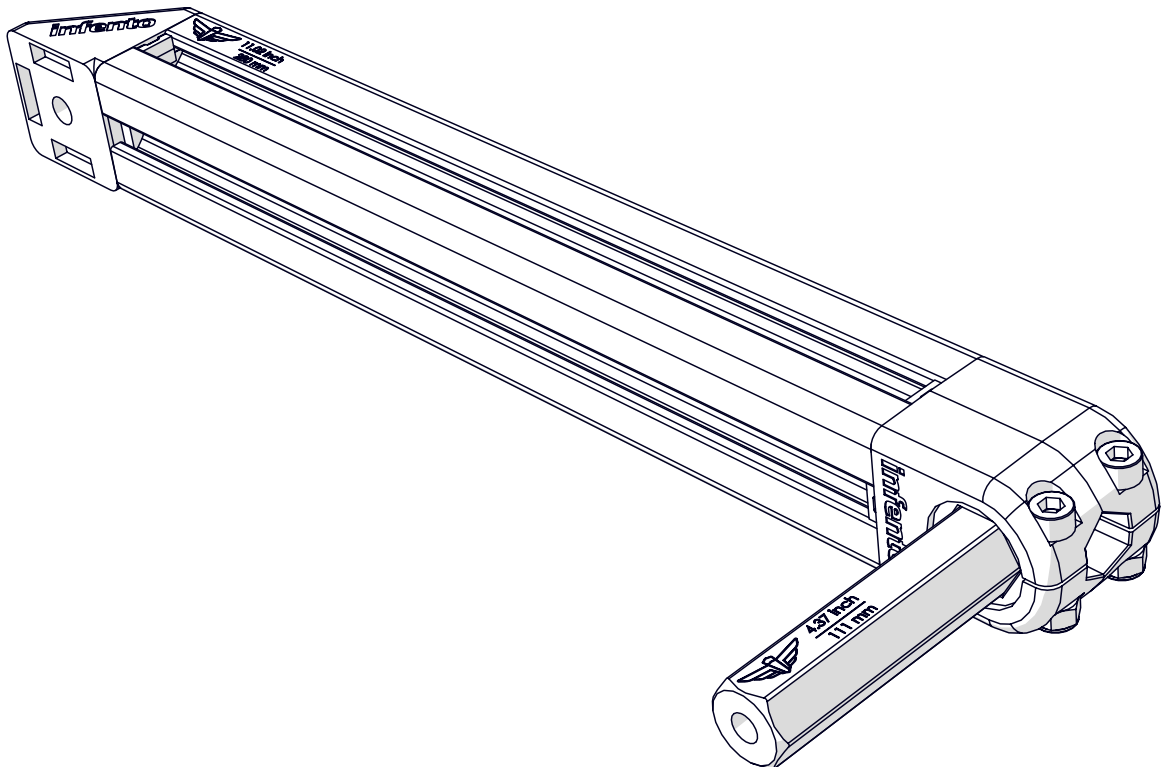
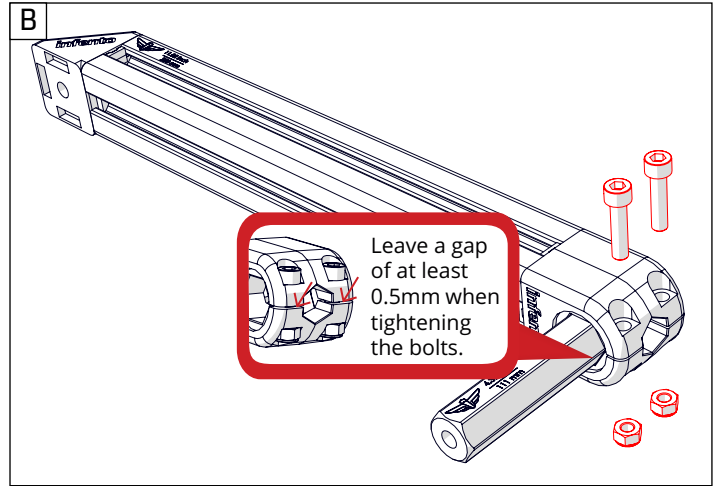
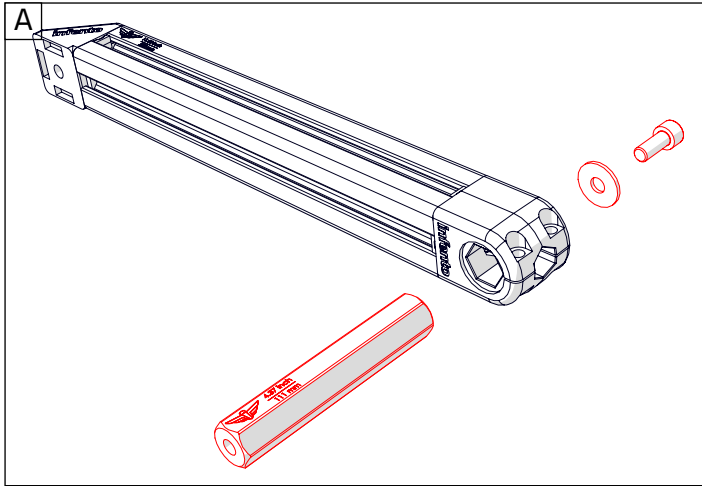
The plastic parts of Infento are made using injection moulding technology where molten plastic is pressed under high pressure into a mould. A mould consists of steel blocks in which a shape is recessed.



20

ride **BIKER**

- Bolt M6x25 2x + Locknut M6 2x + Bolt M8x20 1x + Washer M8-24 1x + Axle 4.37 inch | 111 mm 1x





21

ride **BIKER**



Bolt M8x20
(low head) 1x

+



L-joint 1x

+



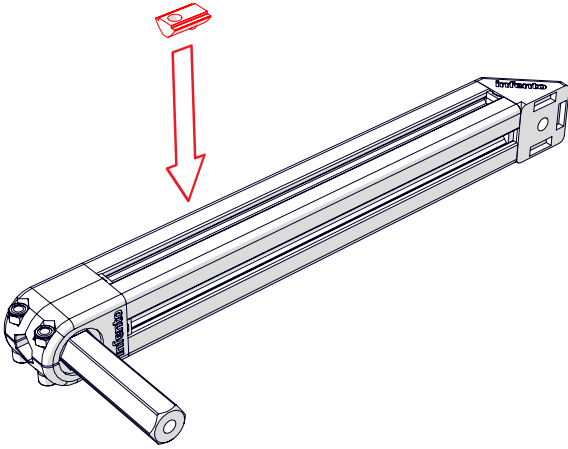
T-Positioning block 2x

+

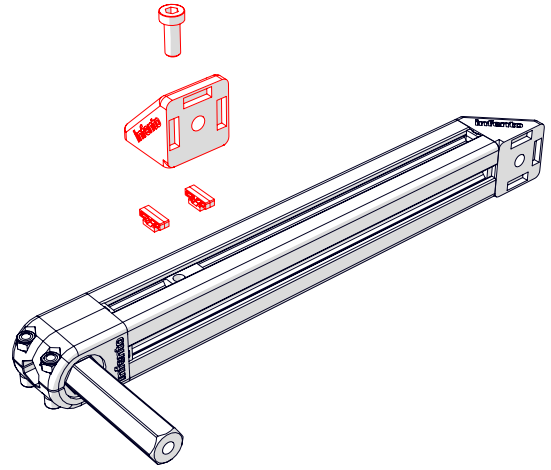


Profile nut short 1x

A

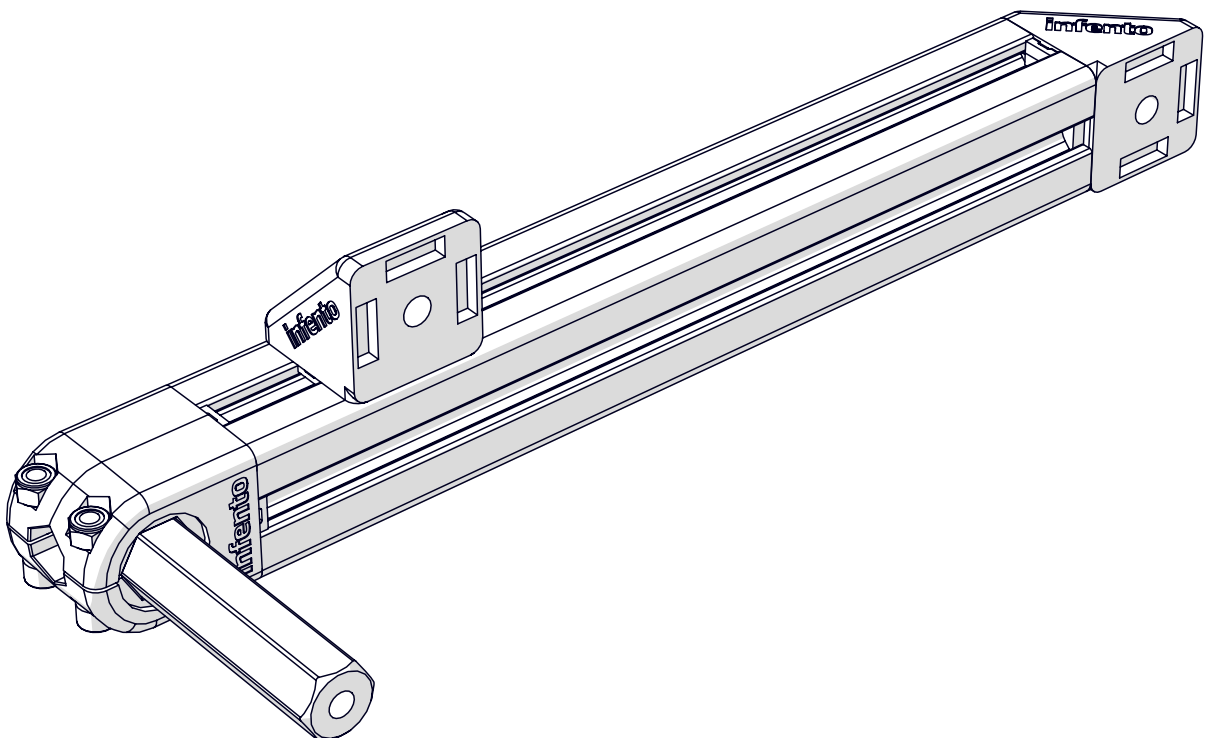
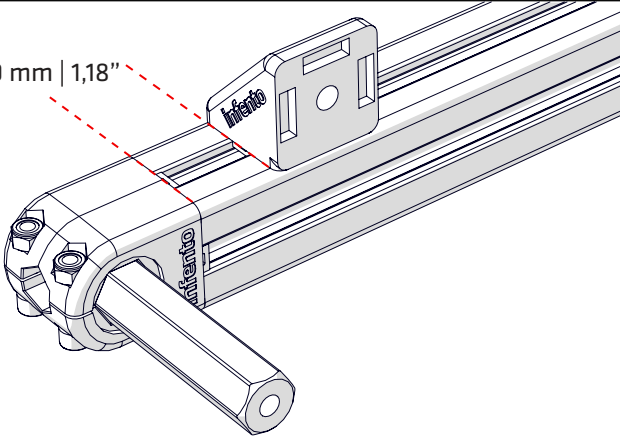


B



C

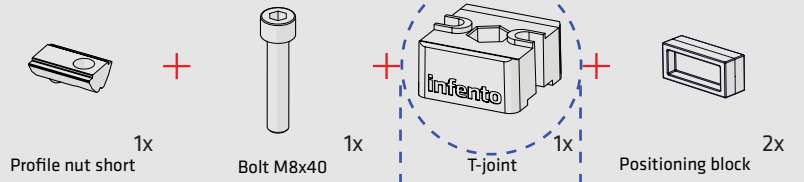
30 mm | 1,18"



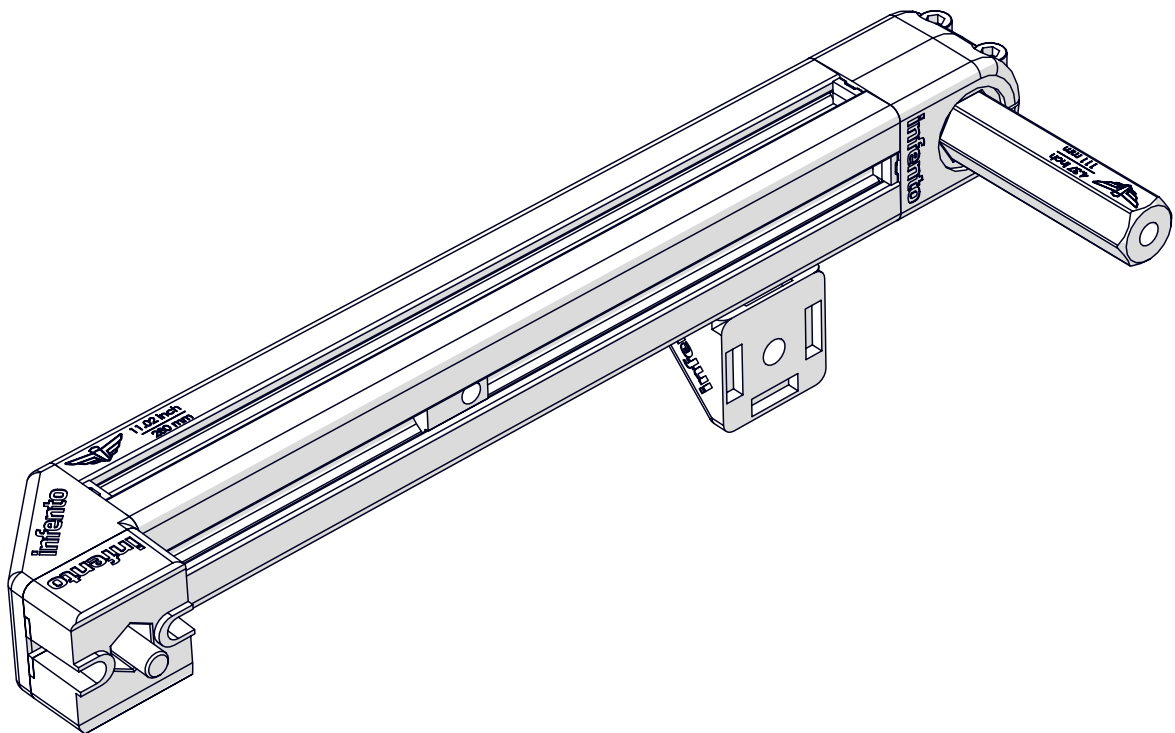
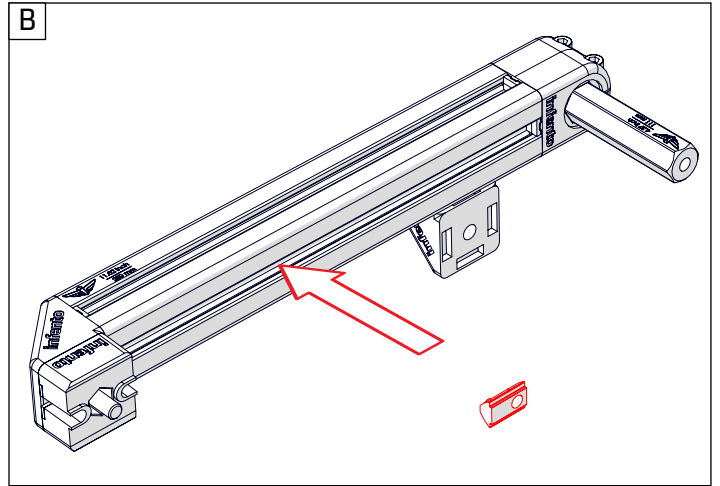
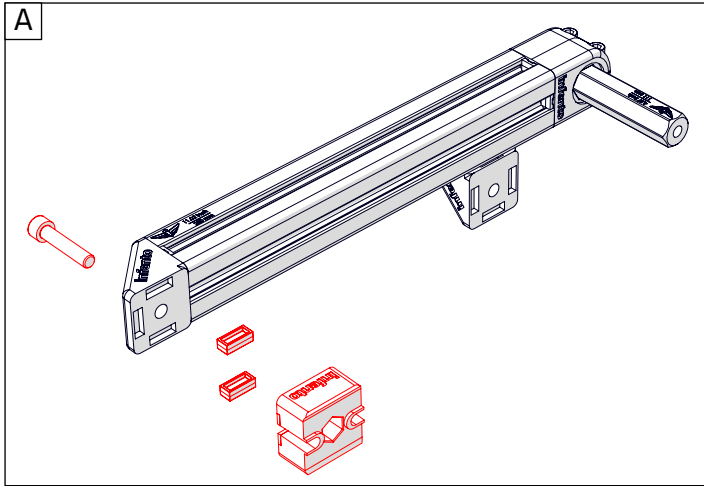


22

ride **BIKER**



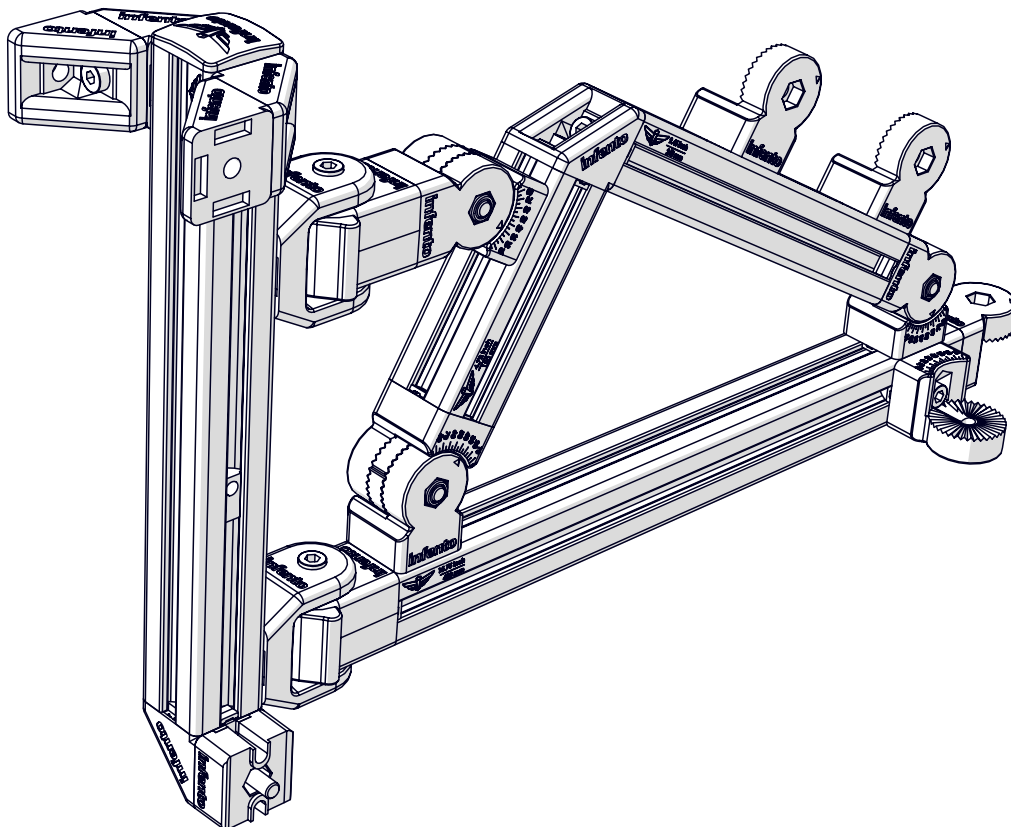
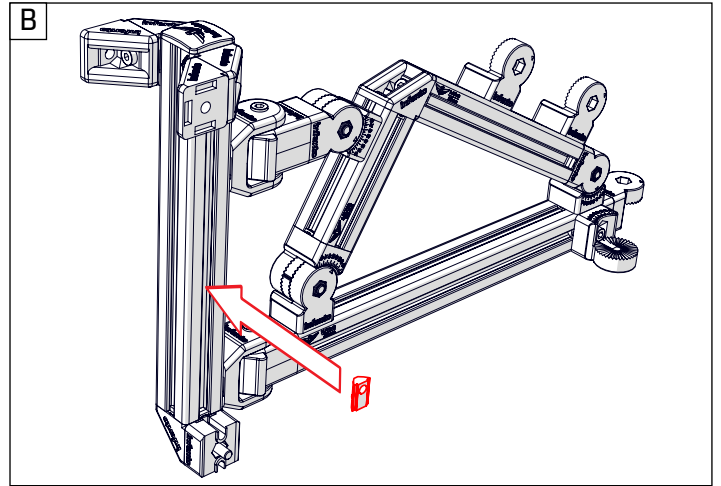
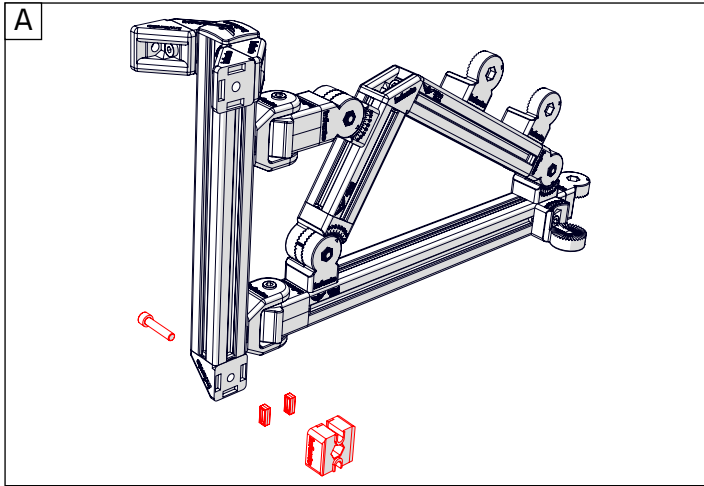
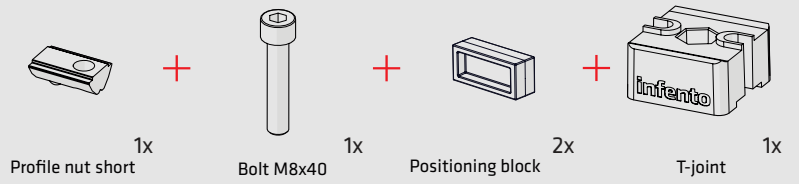
Depending on your Kit, the T-joint might look like this. The new T-joint doubles as a profile connector (part A)





23

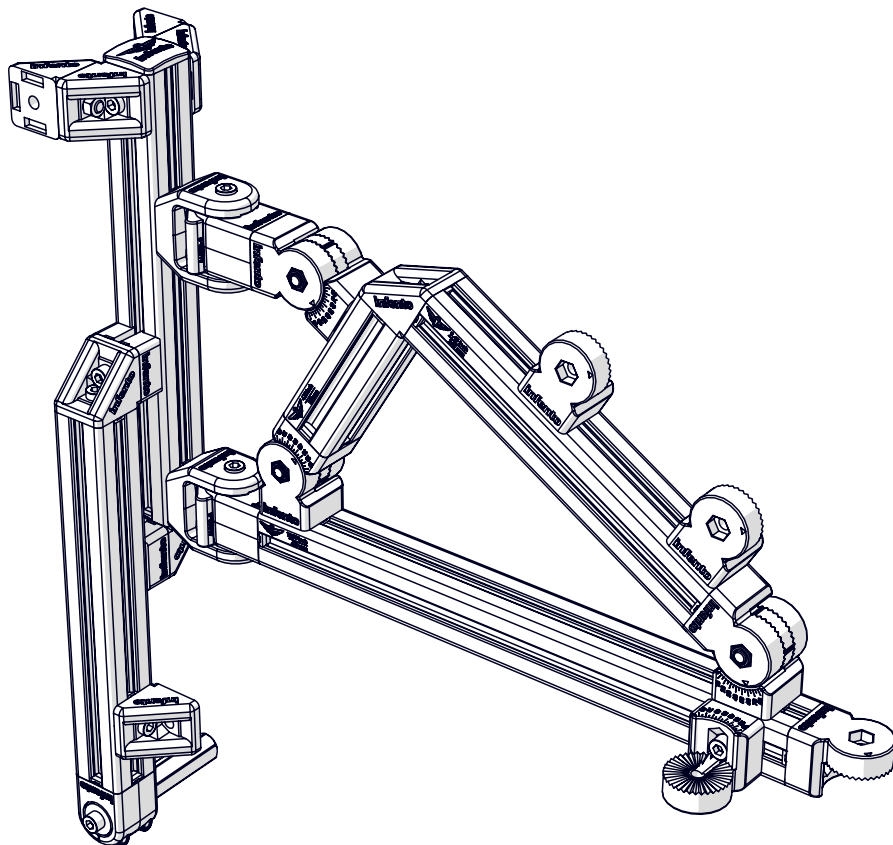
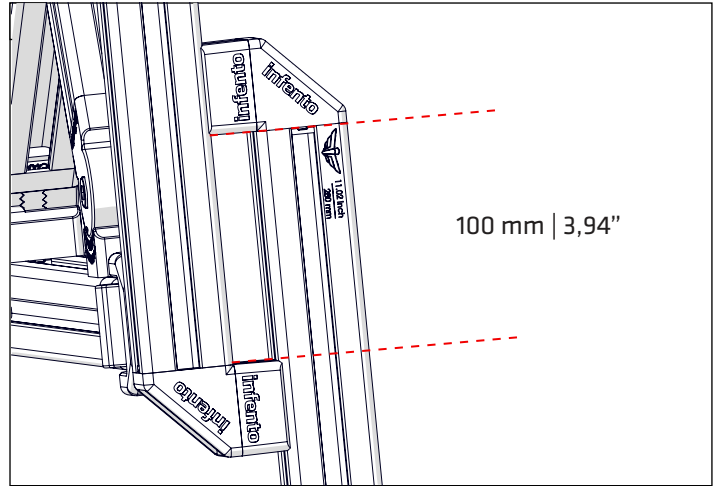
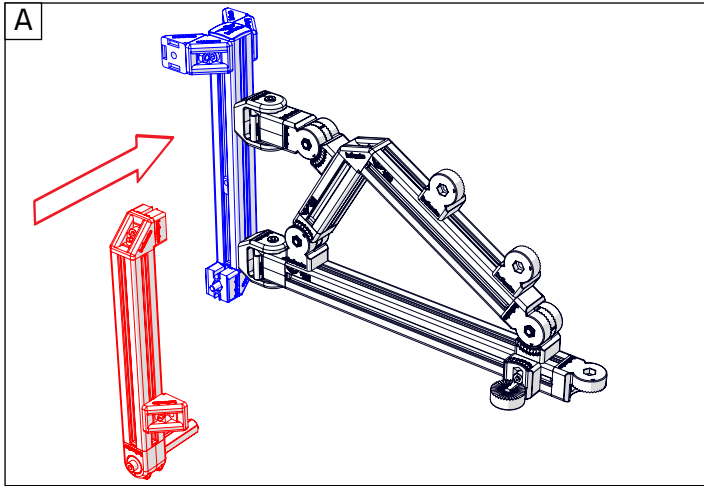
ride **BIKER**





24

ride **BIKER**

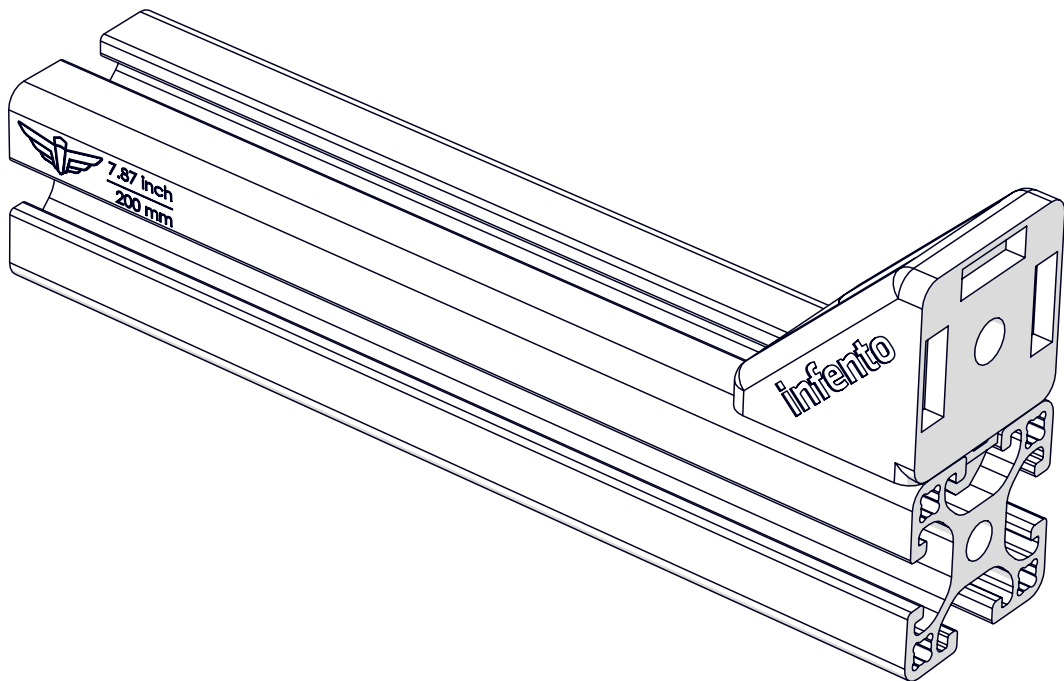
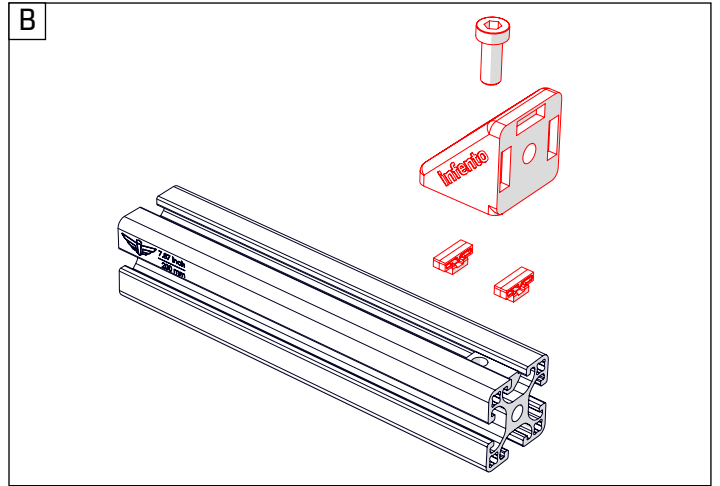
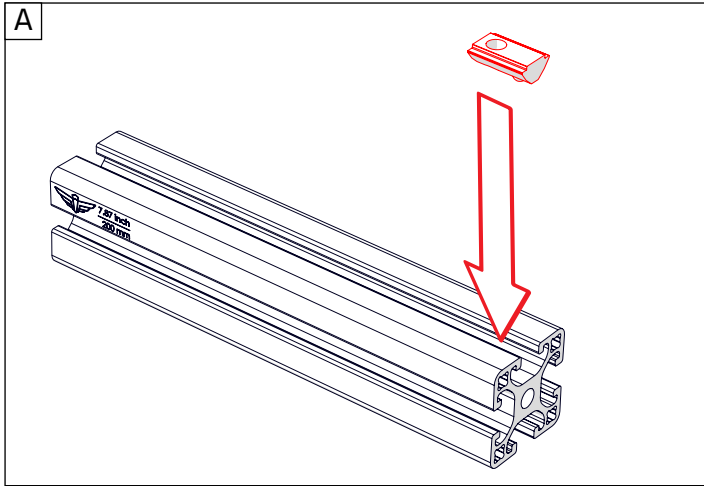




25

ride **BIKER**





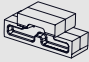
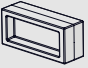
- Bolt M8x20 (low head) 1x
- +
- L-joint 1x
- +
- T-Positioning block 2x
- +
- Profile nut short 1x
- +
- Profile 7.87 inch | 200 mm 1x

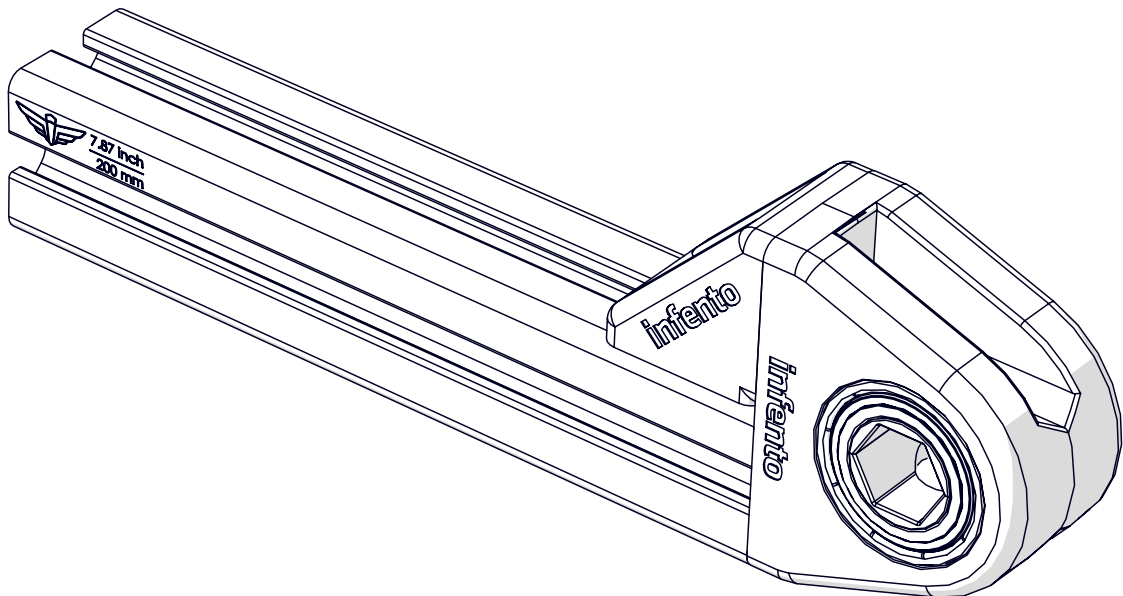
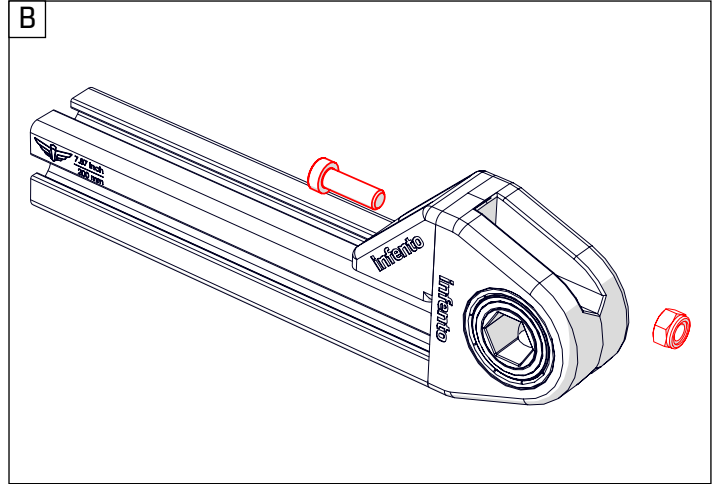
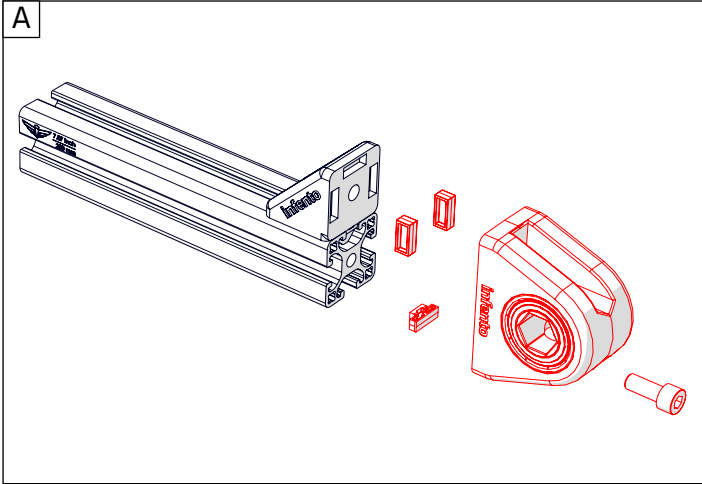




26

ride **BIKER**

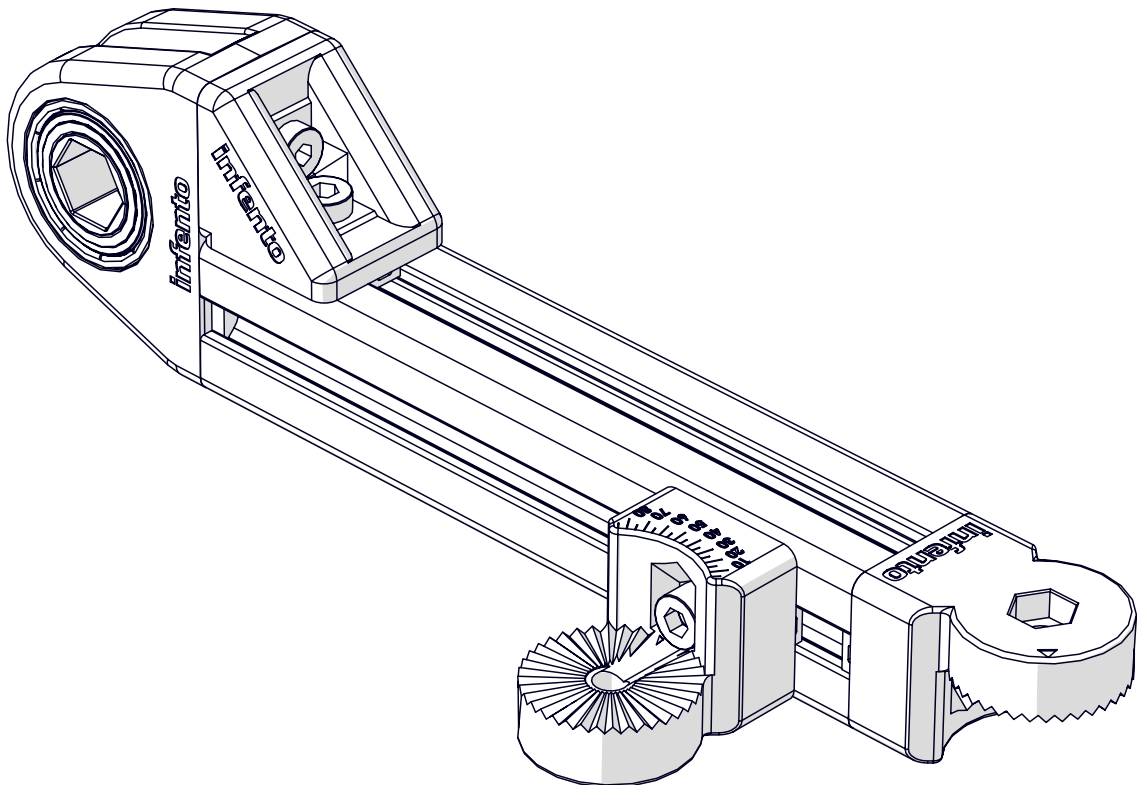
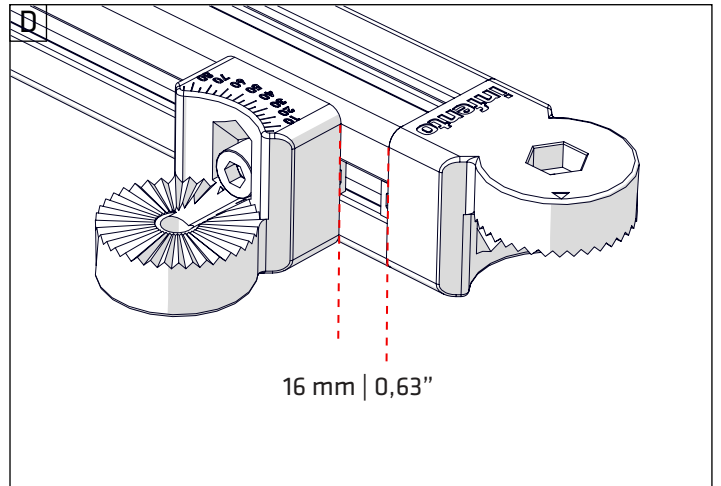
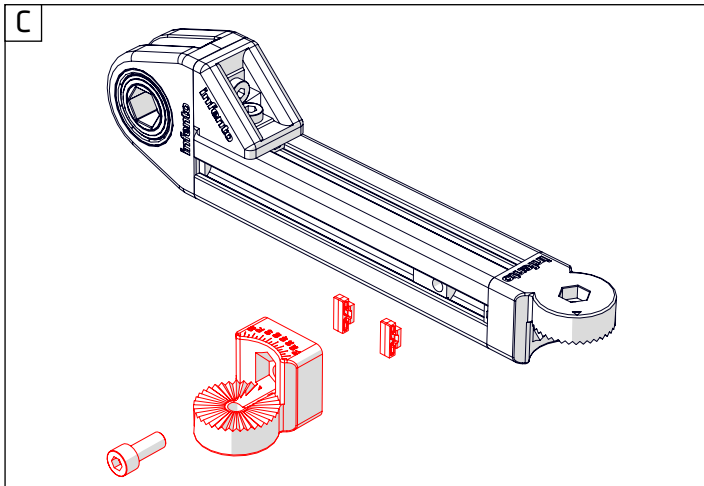
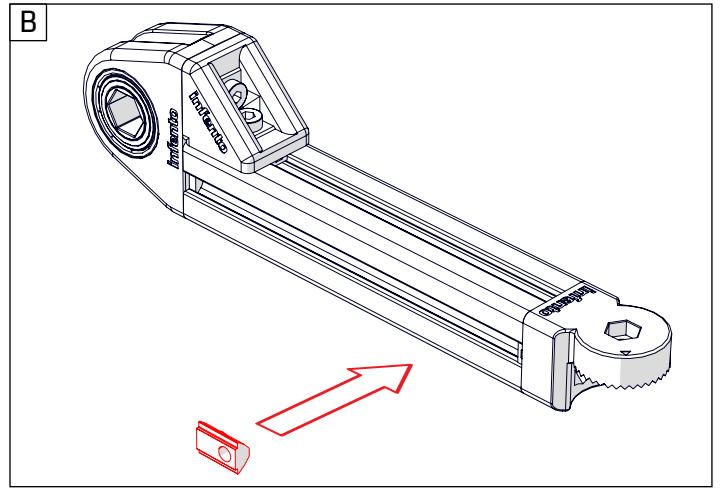
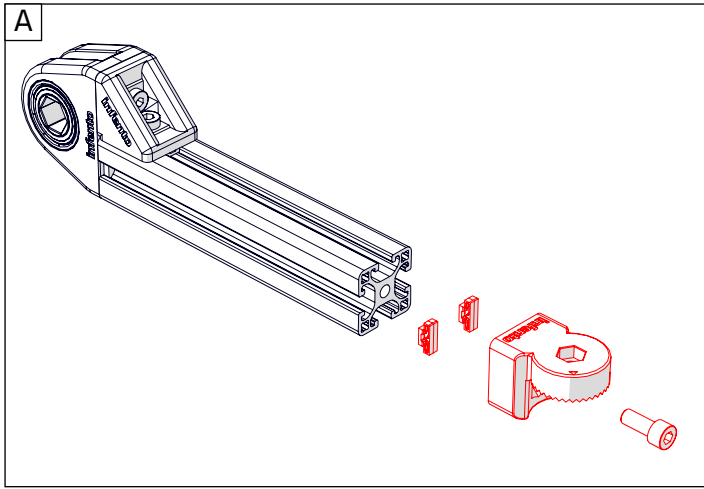
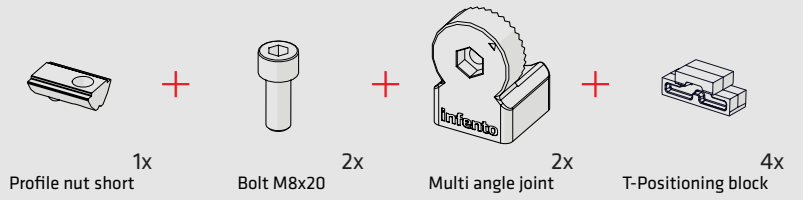
-  Locknut M8 1x
-  Bolt M8x25 (low head) 1x
-  Bolt M8x20 1x
-  Bearingblock 40x80_hexa 19 1x
-  T-Positioning block 1x
-  Positioning block 2x





27

ride **BIKER**





28

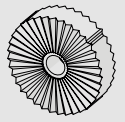
ride *BIKER*



+



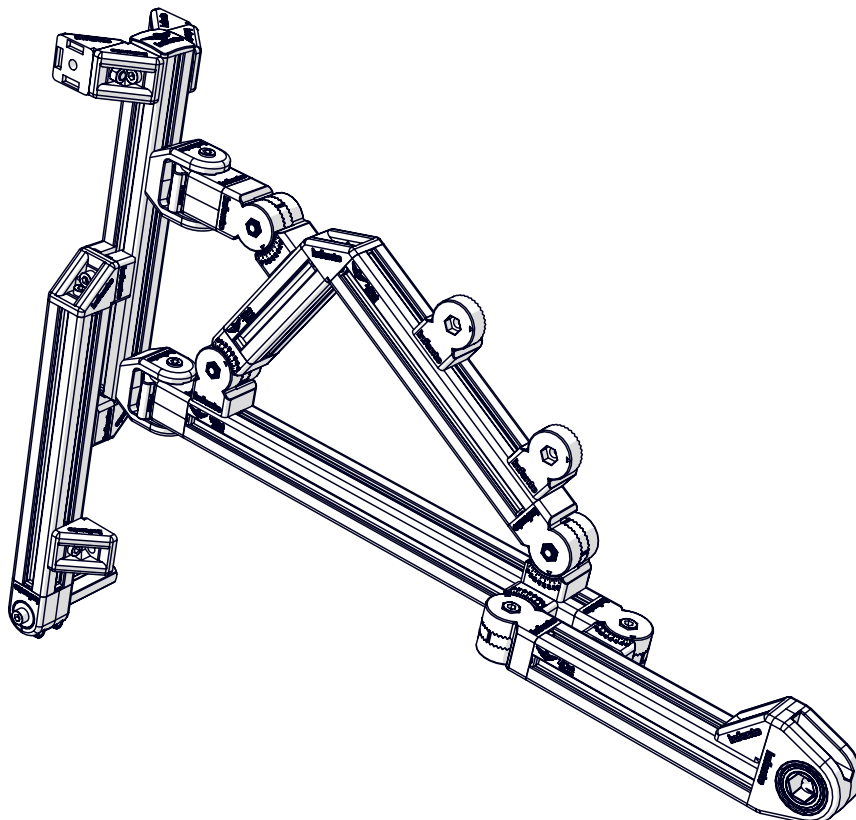
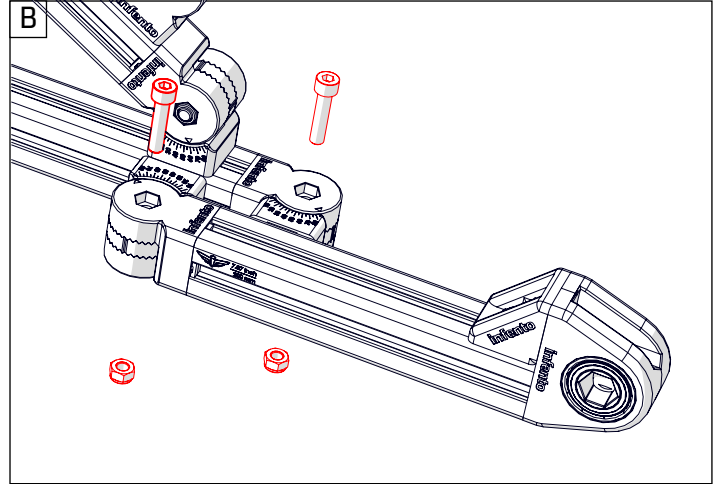
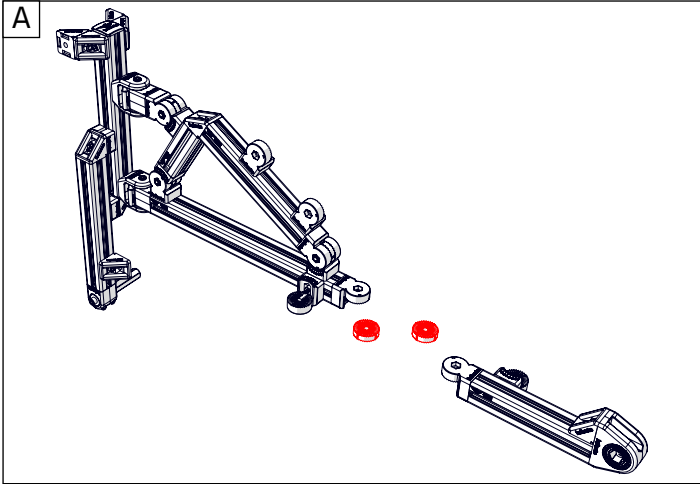
+



Locknut M8 2x

Bolt M8x35 2x

Knurled disc 2 stripes 2x





29

ride **BIKER**

Bolt M8x20
(low head) 1x

+

L-joint 1x

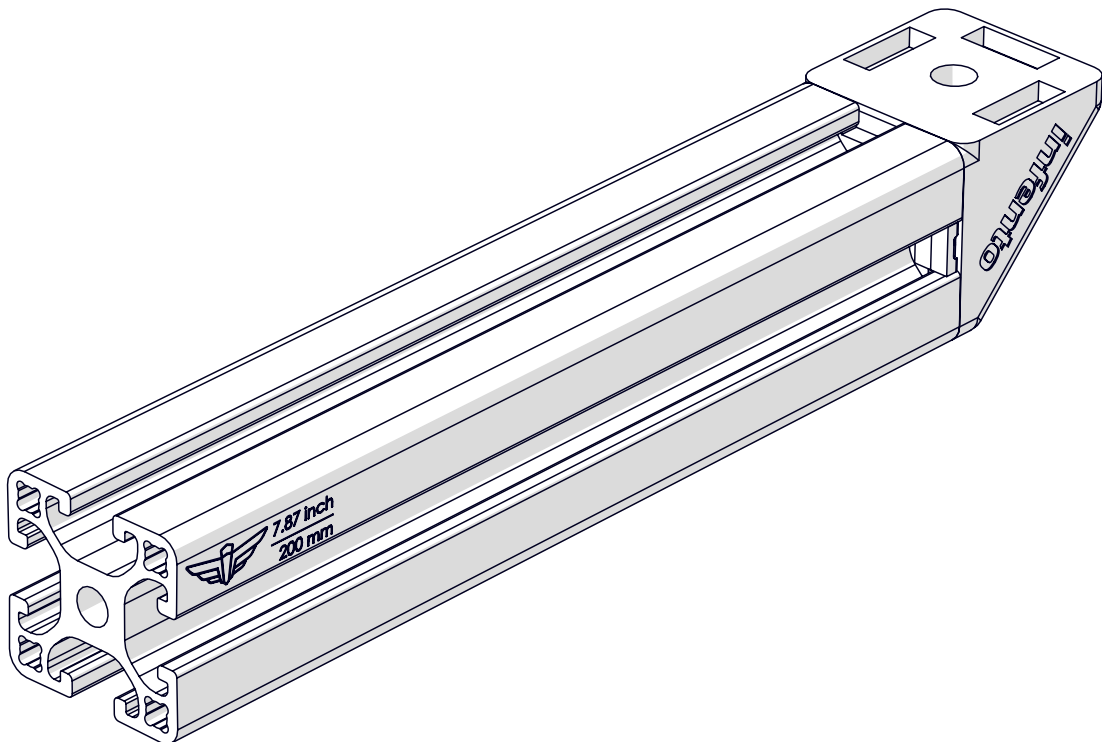
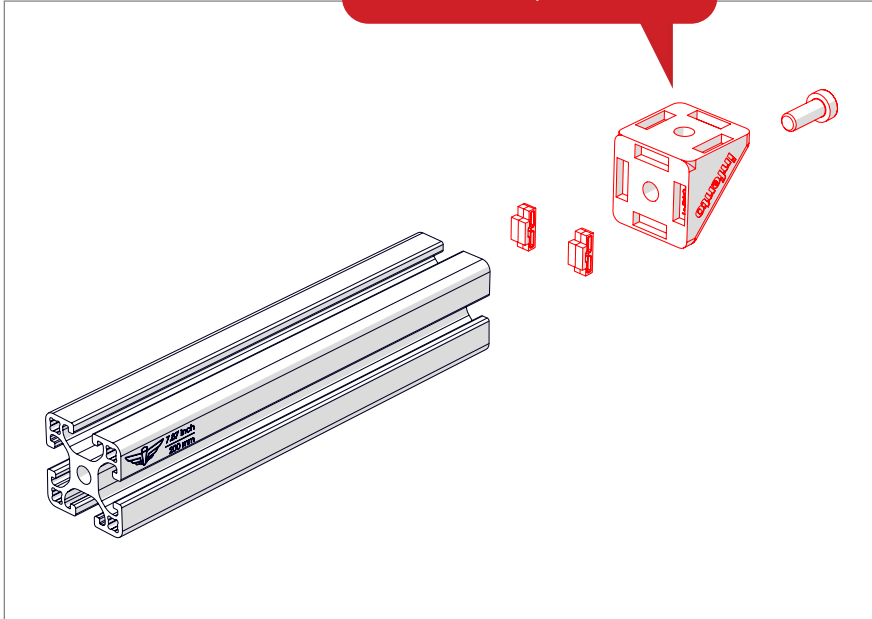
+

T-Positioning block 2x

+

Profile 1x
7.87 inch | 200 mm

This side has 3 position holes.

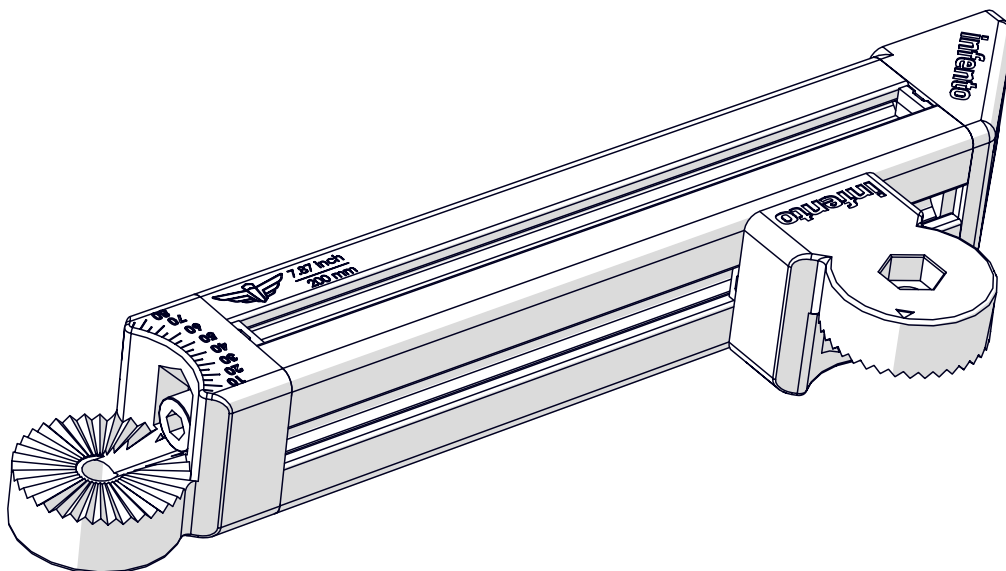
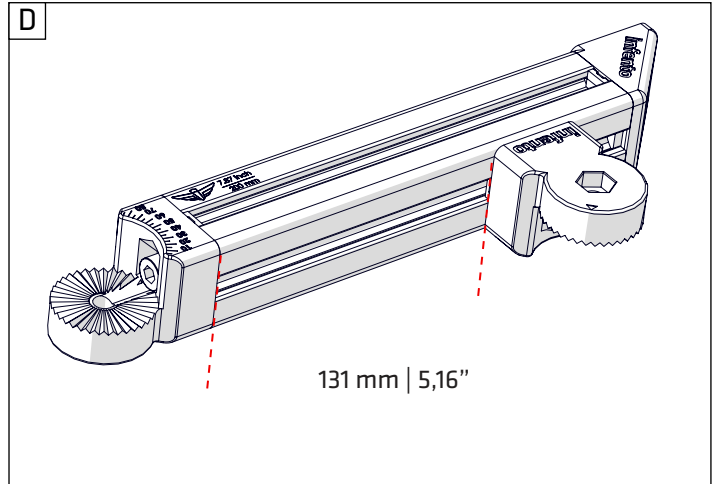
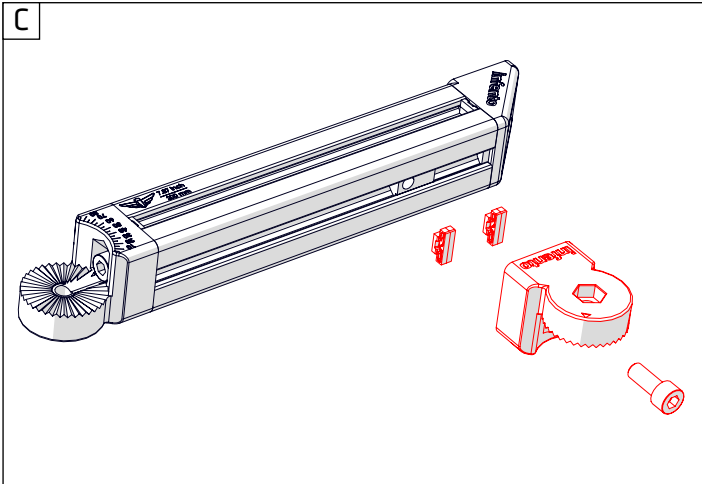
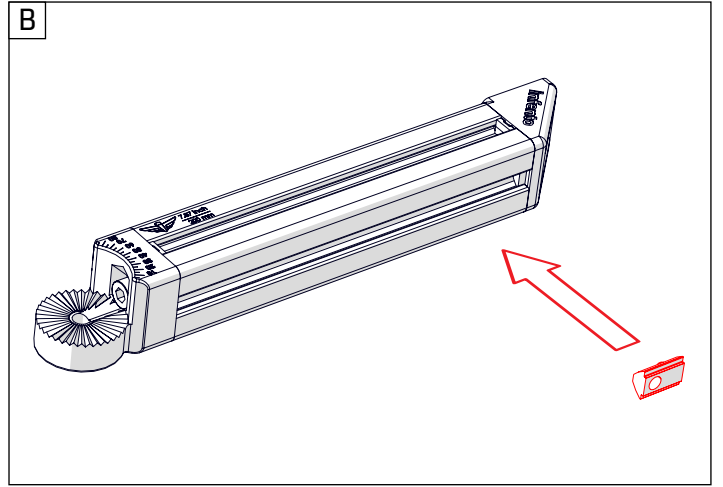
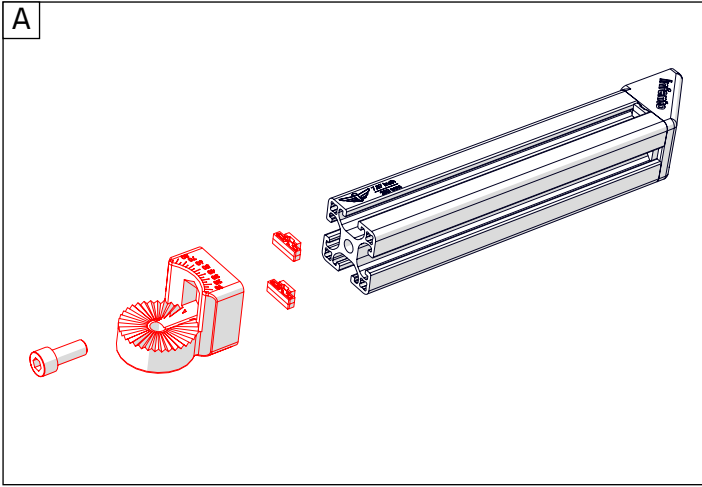




30

ride **BIKER**

- Profile nut short 1x + Bolt M8x20 2x + Multi angle joint 2x + T-Positioning block 4x





31

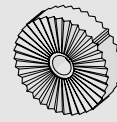
ride **BIKER**



1x

Bolt M8x35

+



1x

Knurled disc 2 stripes

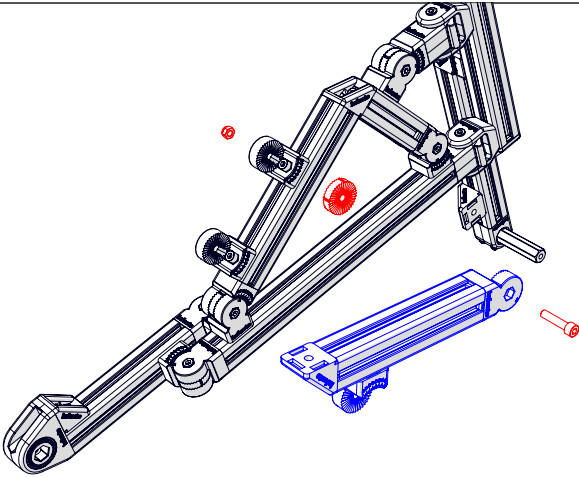
+



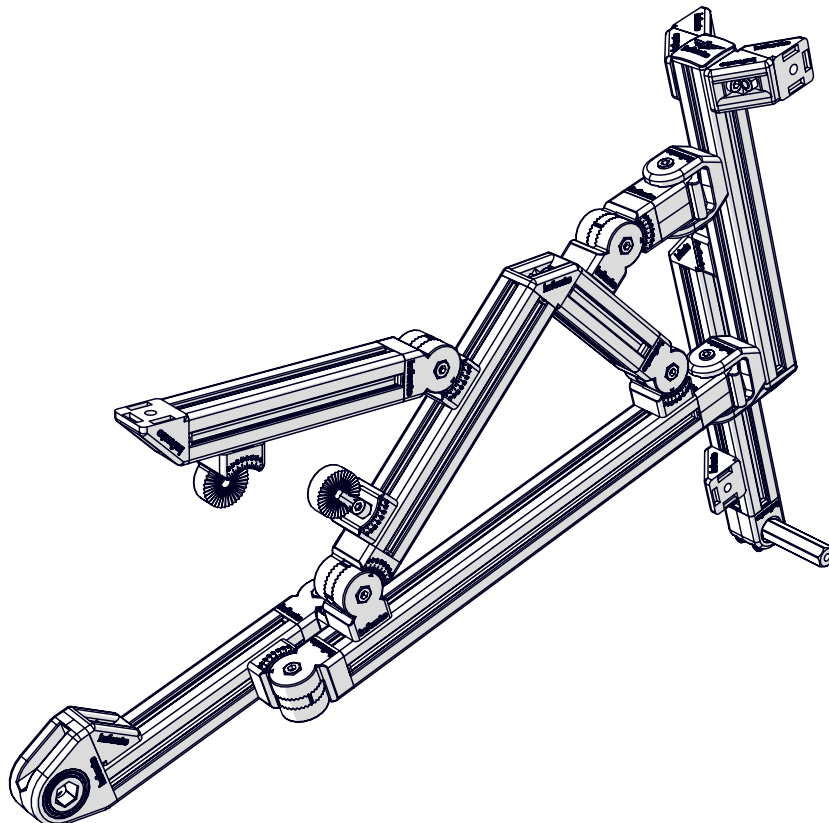
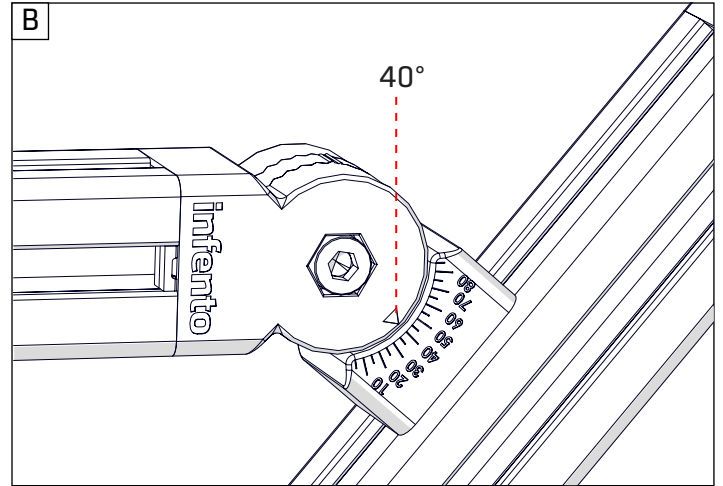
1x

Locknut M8

A




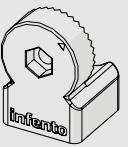
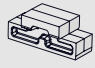
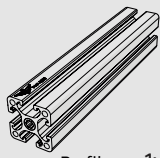
B

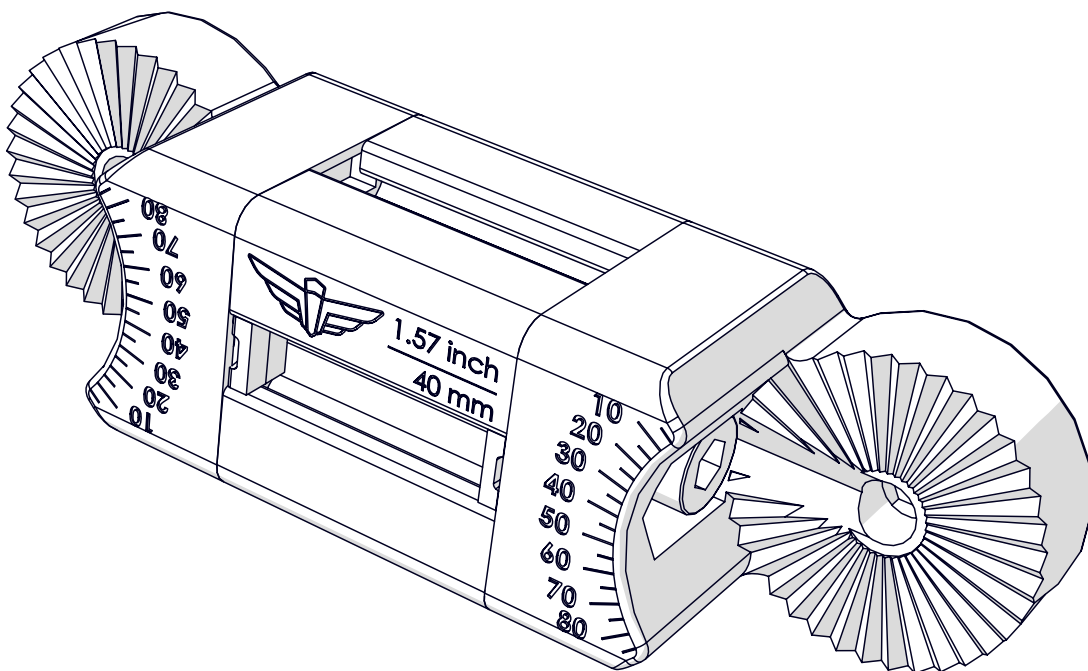
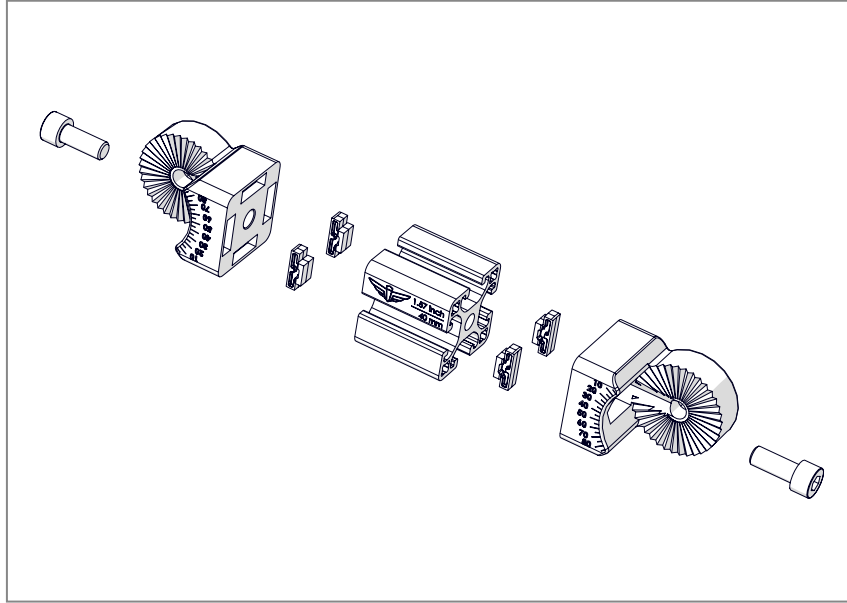




32

ride **BIKER**

-  Bolt M8x20 2x
-  Multi angle joint 2x
-  T-Positioning block 4x
-  Profile 1x
1.57 inch | 40 mm



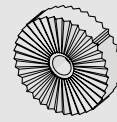


33

ride **BIKER**



2x



2x

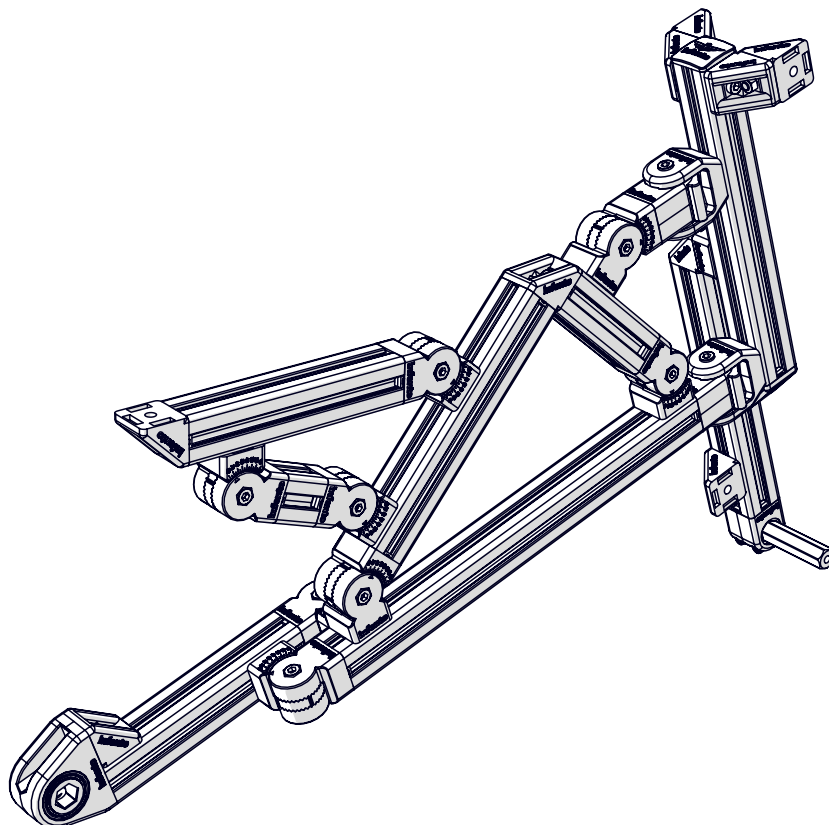
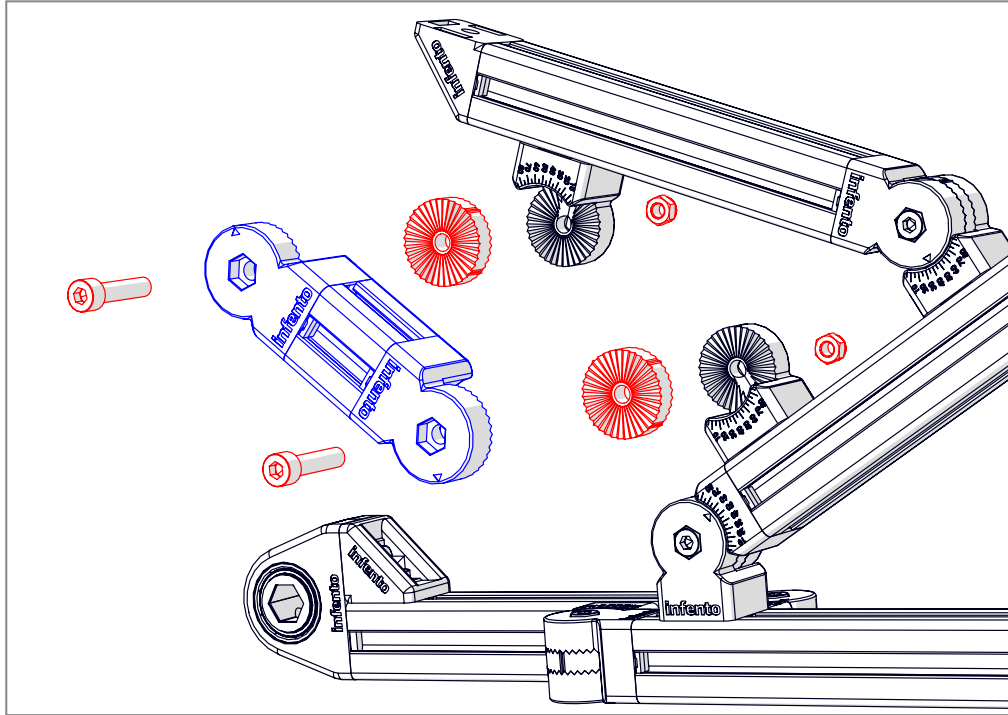


2x

Bolt M8x35

Knurled disc 2 stripes

Locknut M8

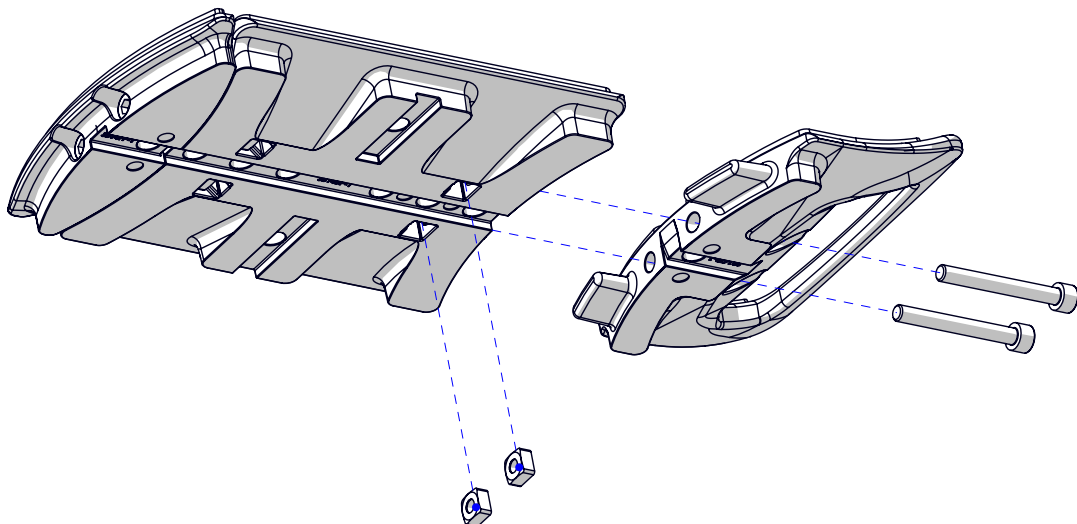
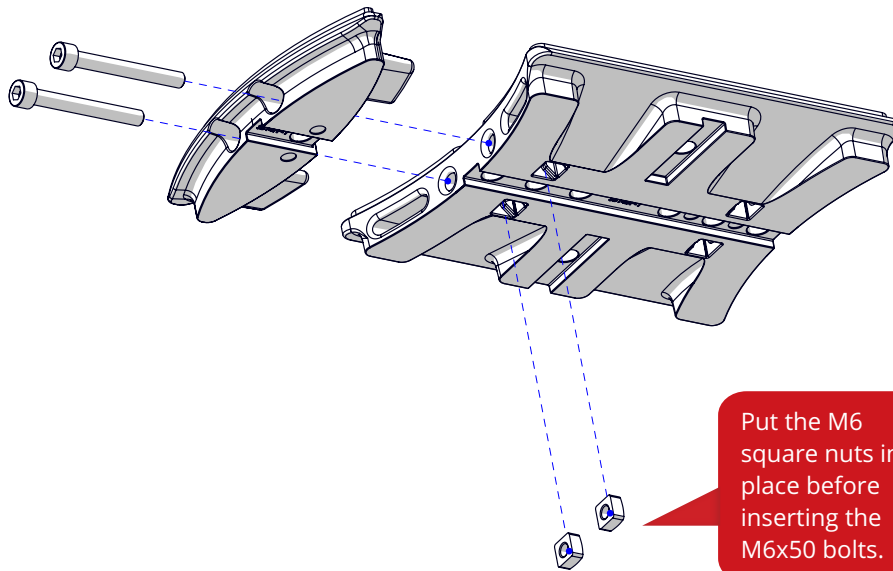
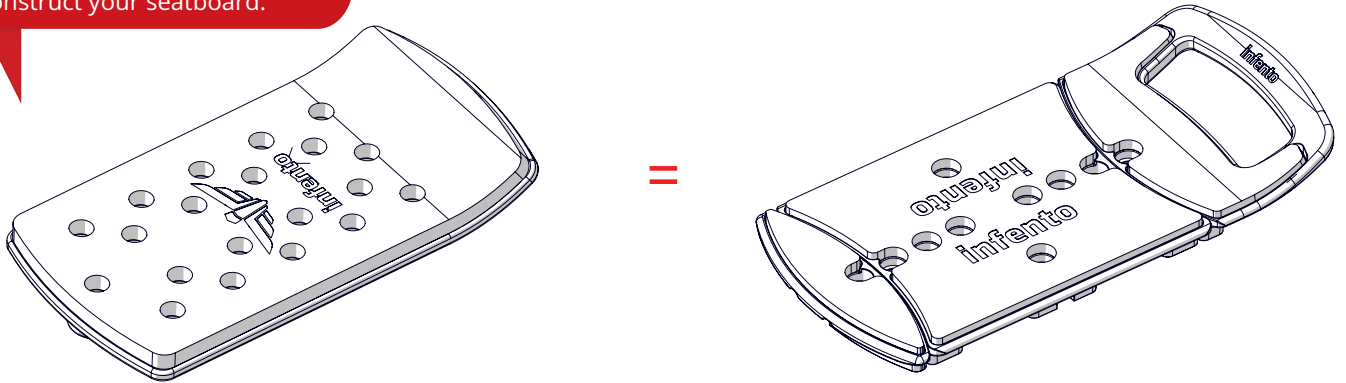




34

- Square nut M6 4x
- Bolt M6x50 4x
- Seatboard Filler 1x
- Seatboard Tail 1x
- Seatboard Base 1x




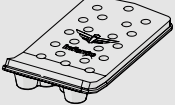
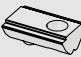
If you have this type of seat in your Kit, please skip to the next page. If not, follow the instructions below to construct your seatboard.

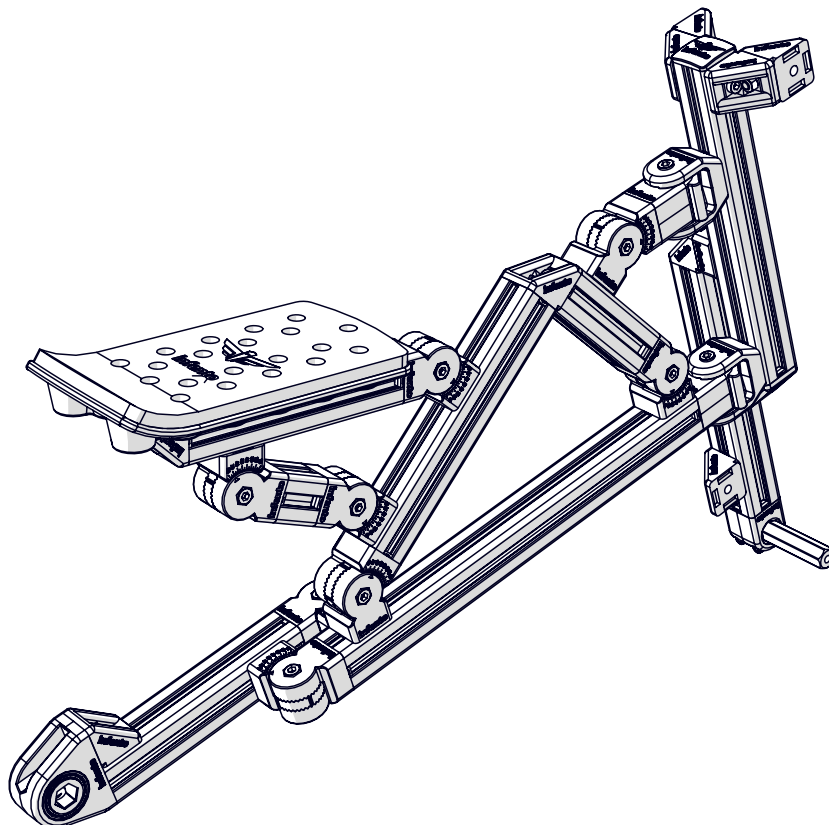
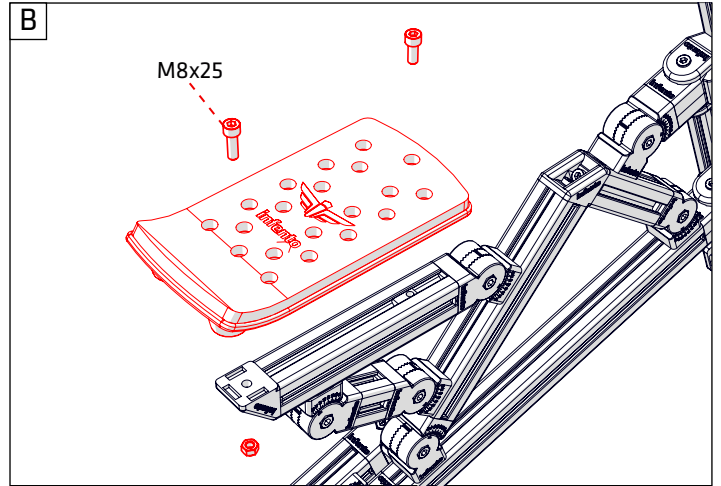
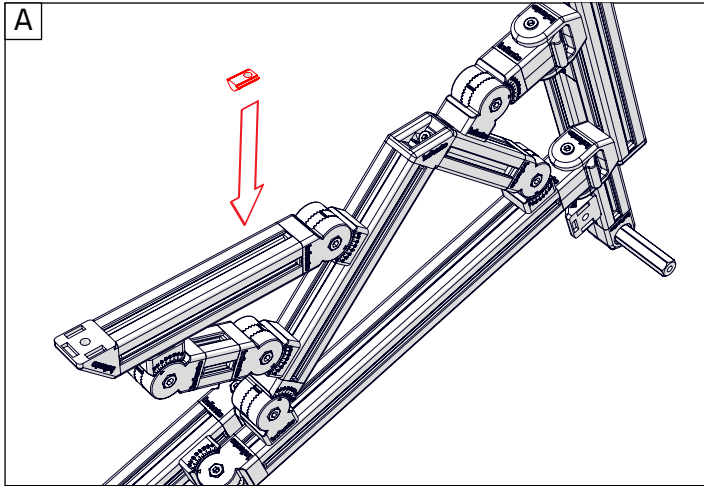




35

ride **BIKER**

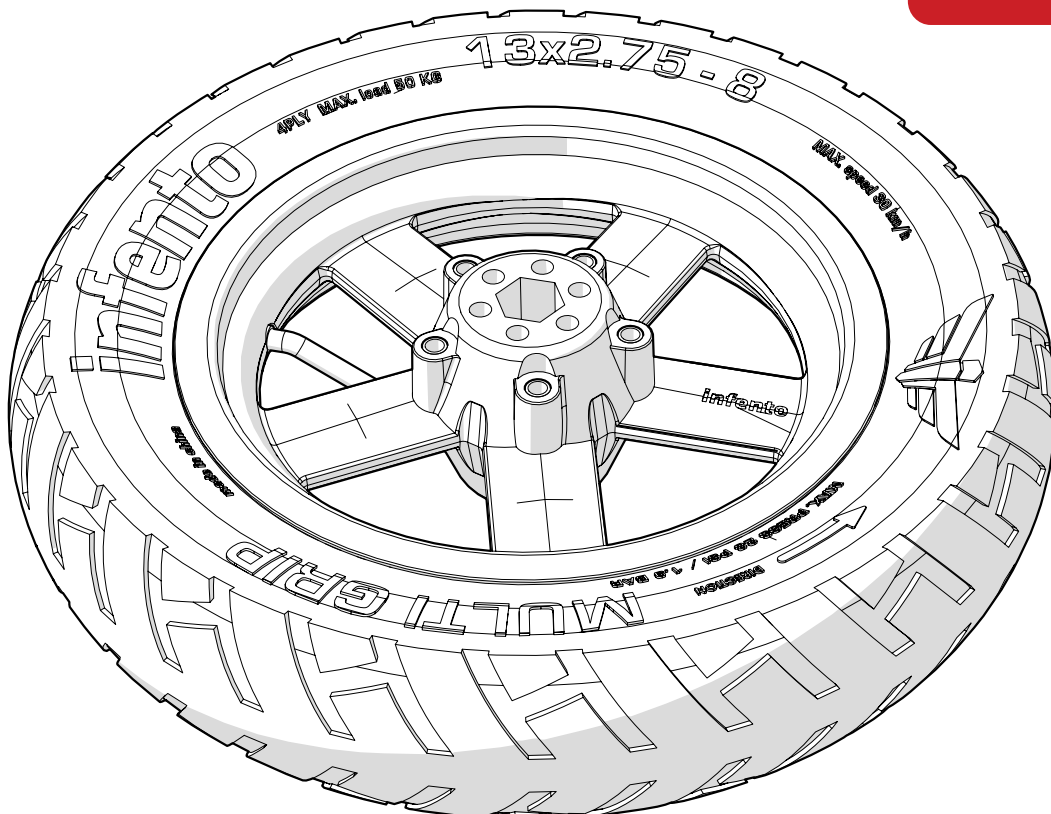
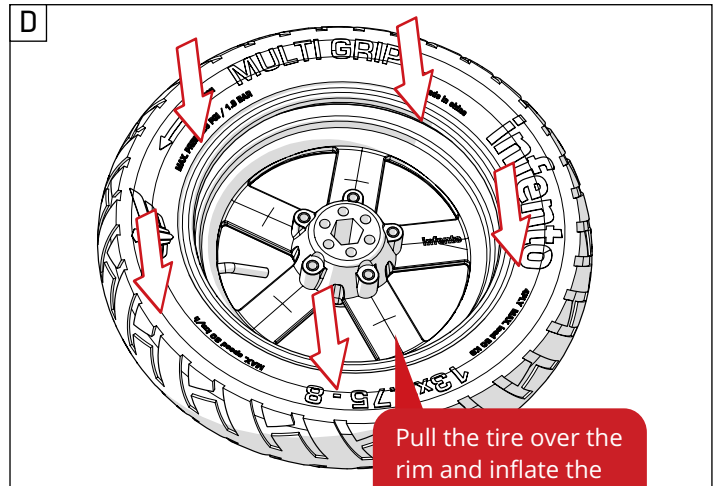
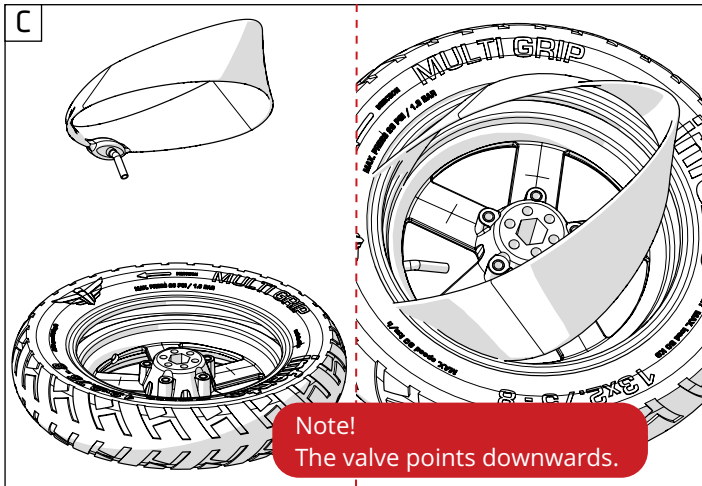
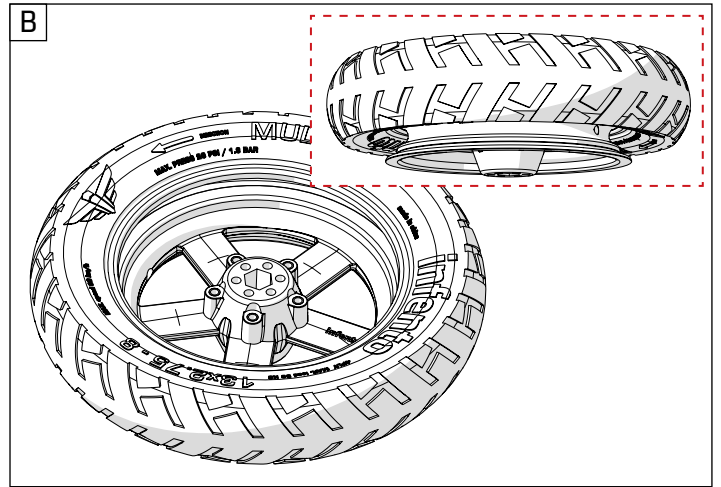
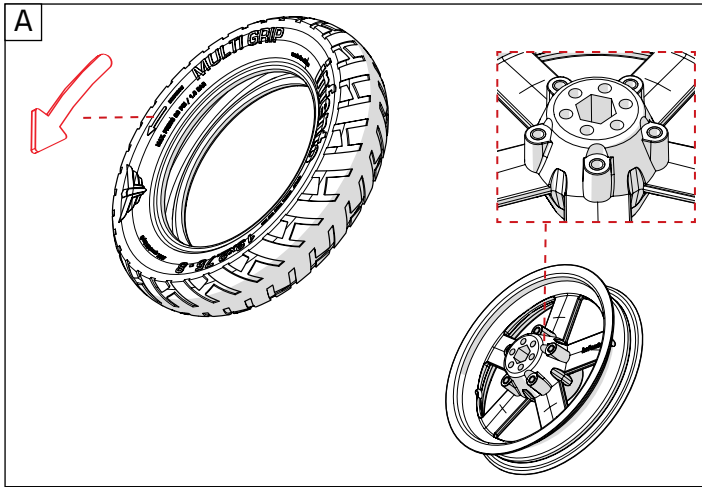
- 
Bolt M8x20 1x
- +
- 
Nut M8 1x
- +
- 
Bolt M8x25 2x
- +
- 
Ducktail board + foam 1x
- +
- 
Profile nut short 1x





36






ride **BIKER**

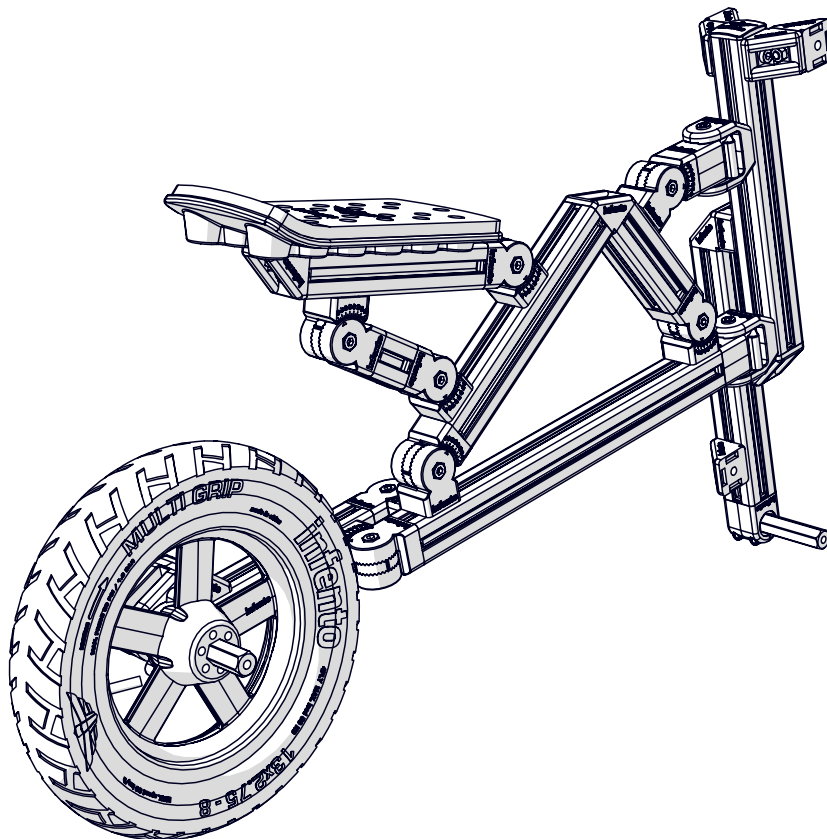
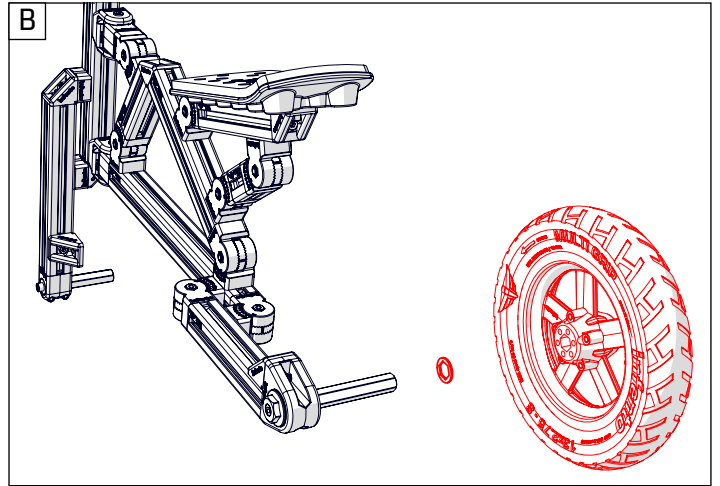
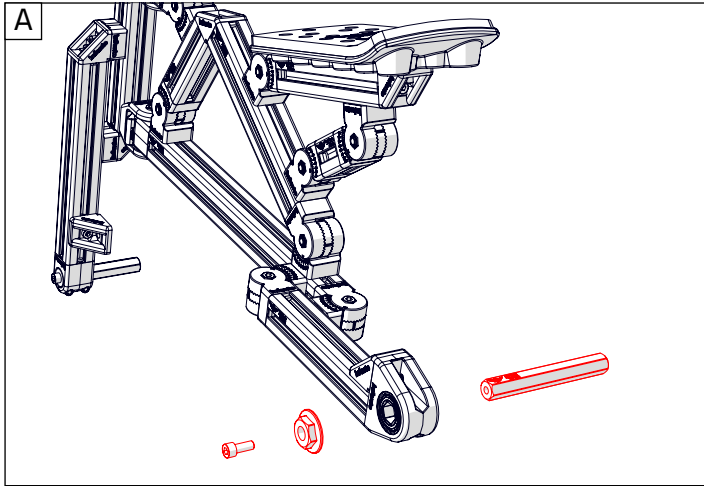




37

ride **BIKER**

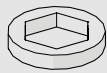
- 
Spacer 1x
0.08inch | 2 mm
- +
- 
13 inch Driven wheel 1x
- +
- 
Bolt M8x20 1x
- +
- 
Wheel lock ring 8-42 1x
- +
- 
Axle 1x
5.87 inch | 149 mm





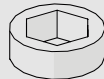
38

ride **BIKER**



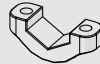
Spacer 1x
0.2 inch | 5 mm

+



Spacer 1x
0.39 inch | 10 mm

+



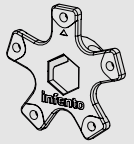
Clamping part 1x
holes with M6 thread

+

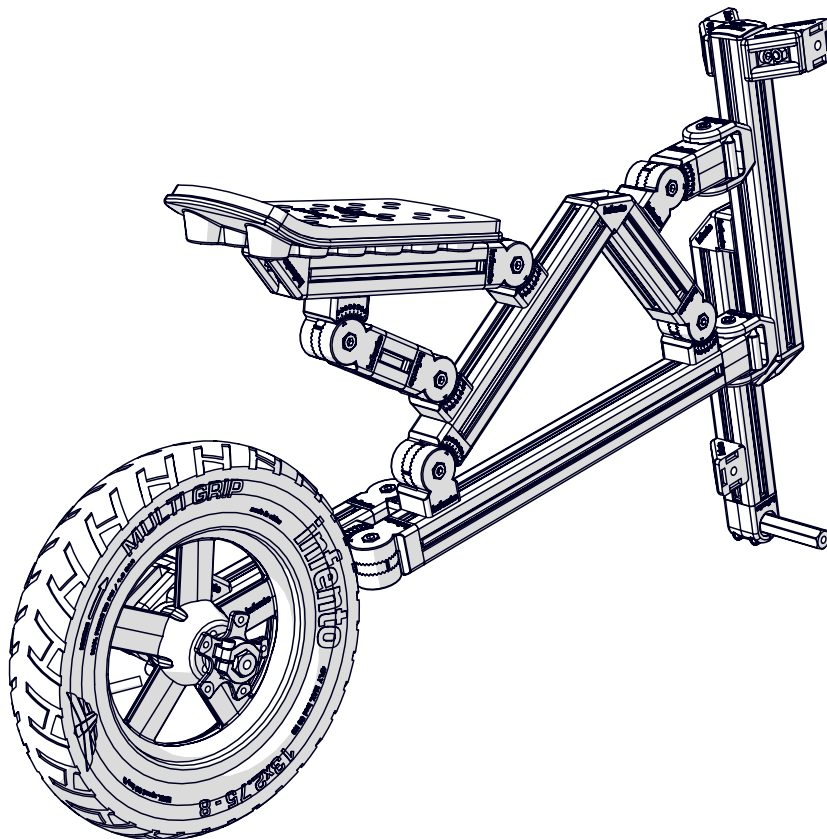
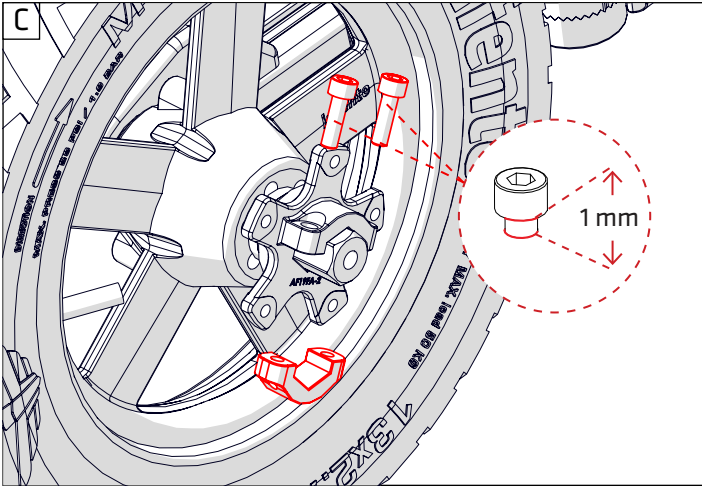
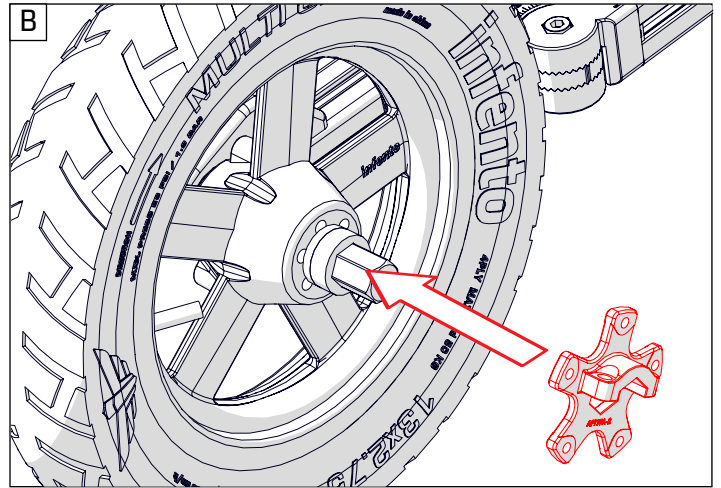
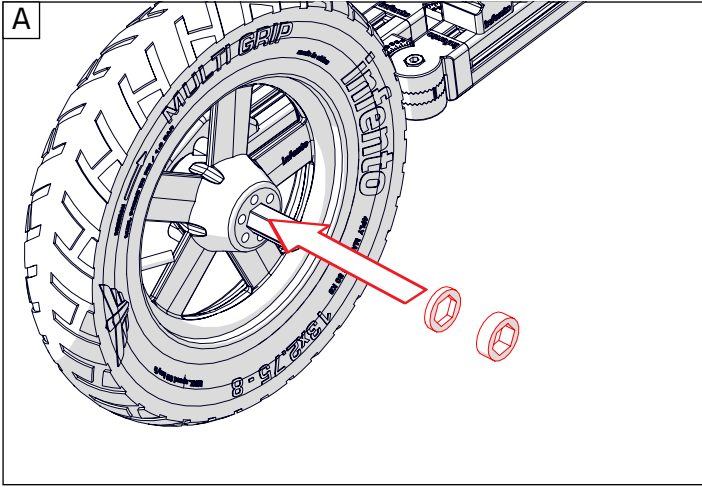


Bolt M6x20 2x

+







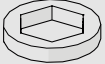
Axle flange 1x

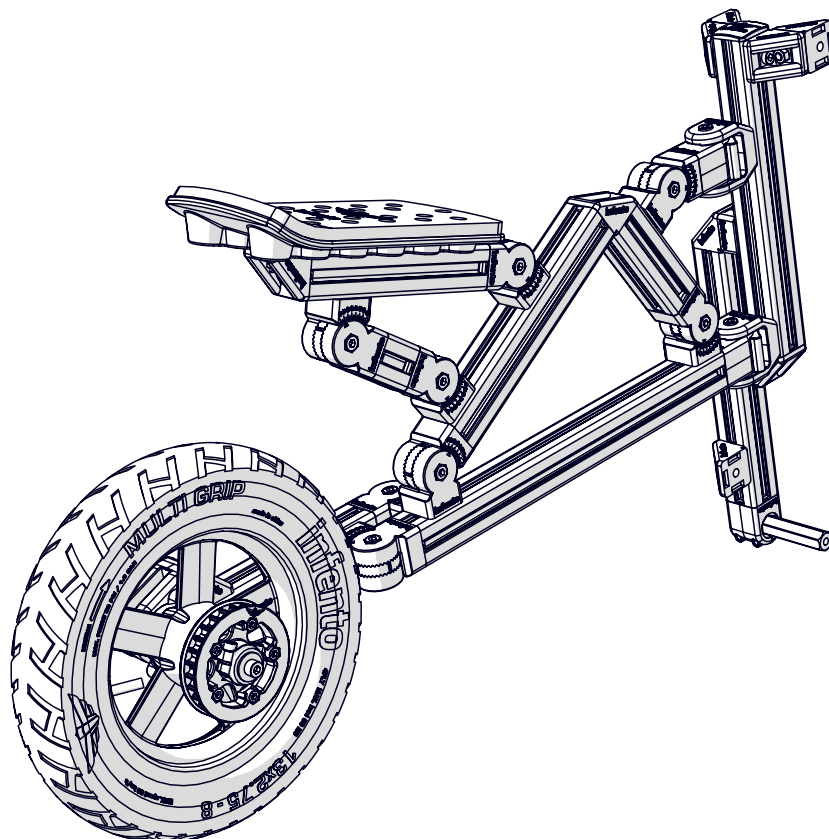
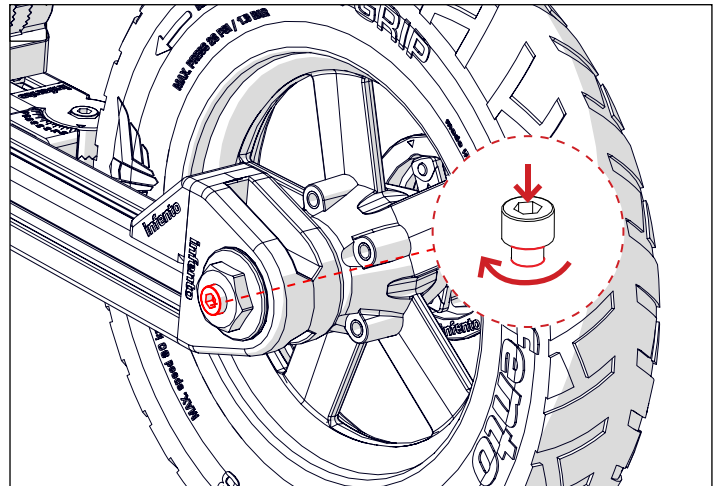
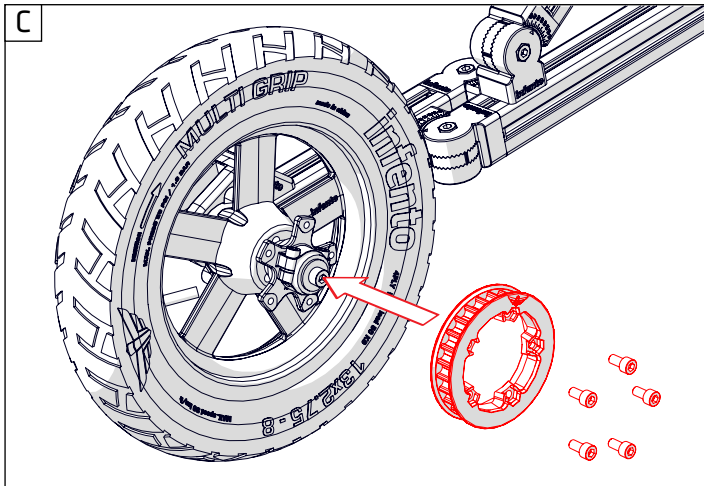
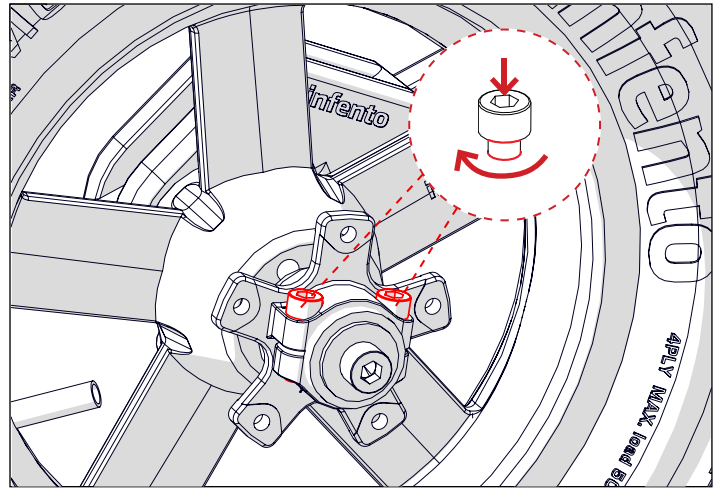
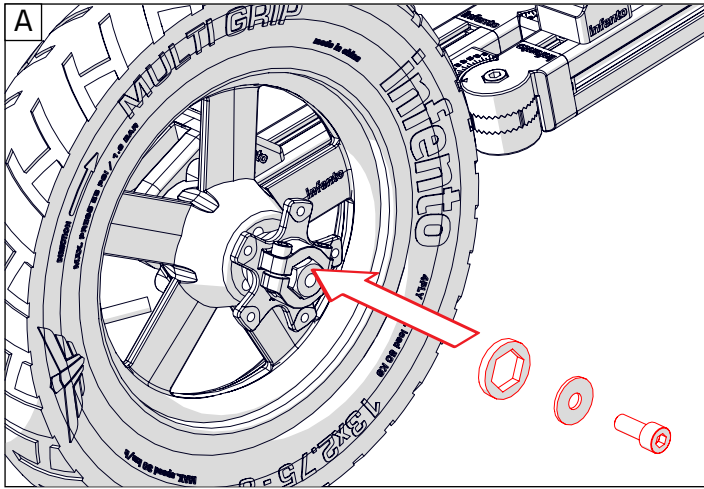




39

ride **BIKER**

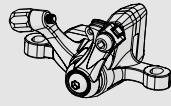
-  1x
-  5x
-  1x
-  1x
-  1x





40

ride **BIKER**



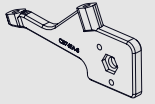
1x
Brake caliper



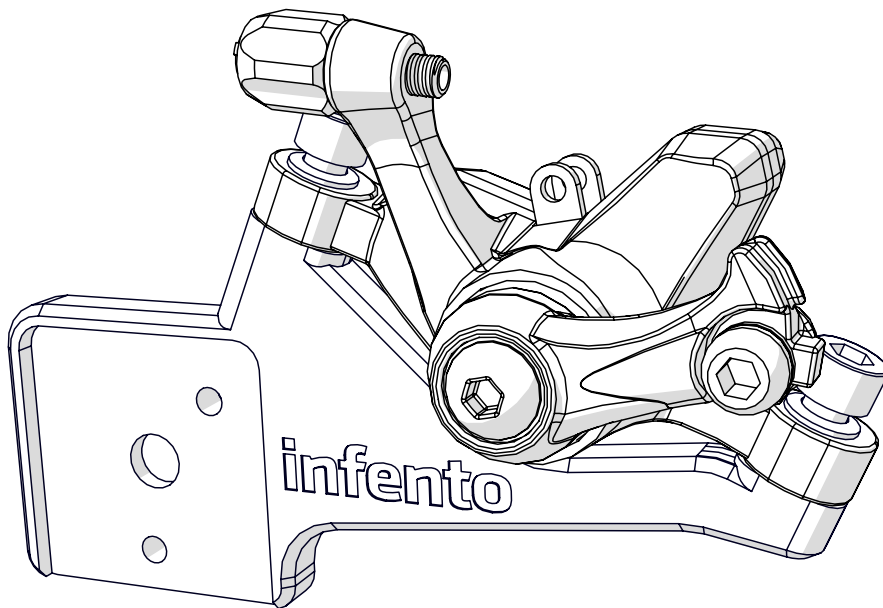
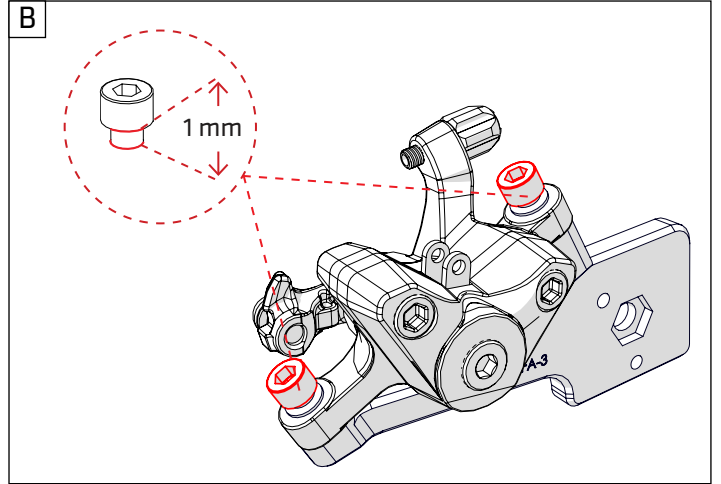
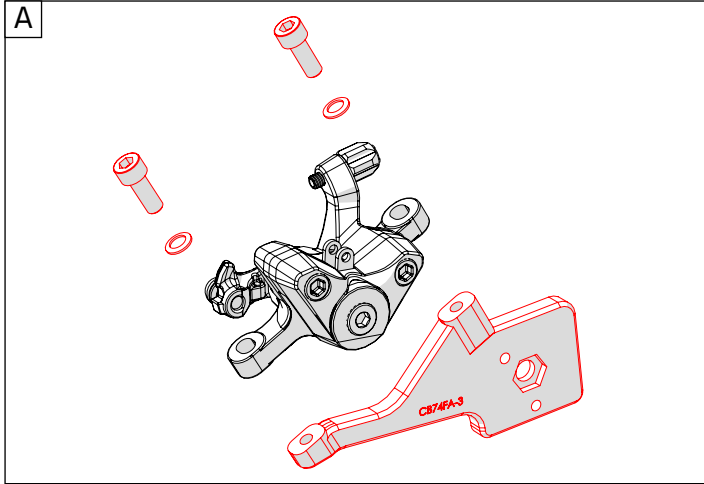
2x
Conical spring
washer M6-10



2x
Bolt M6x16




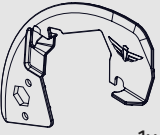


1x
Brake caliper holder

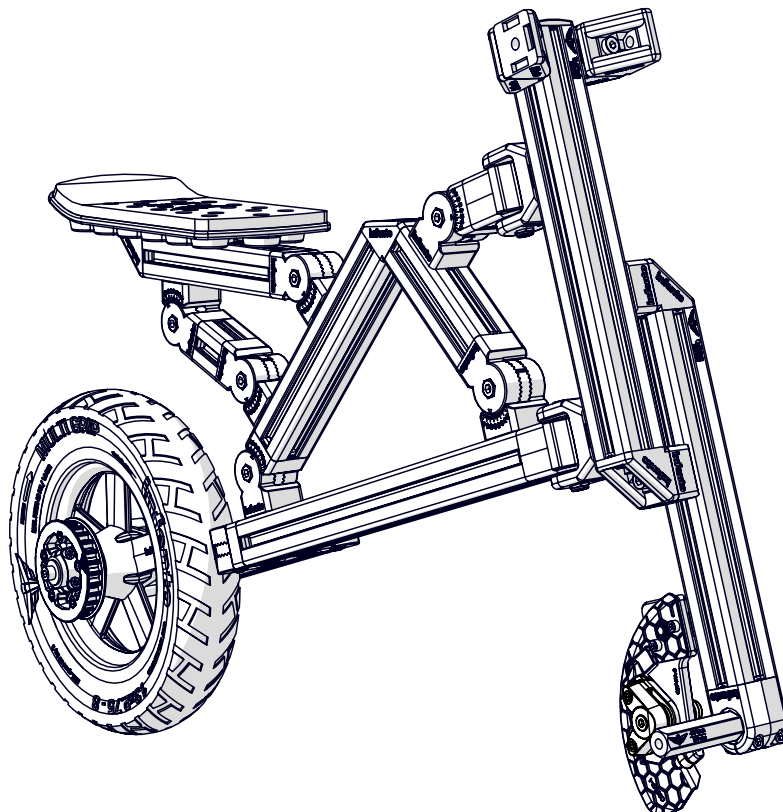
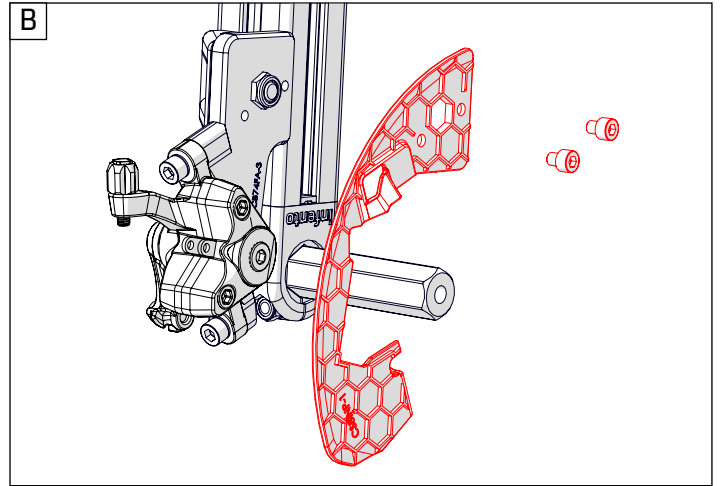
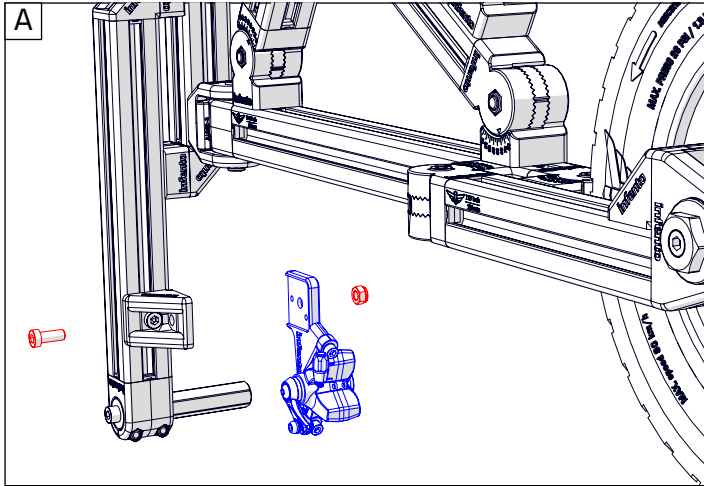




41

ride **BIKER**

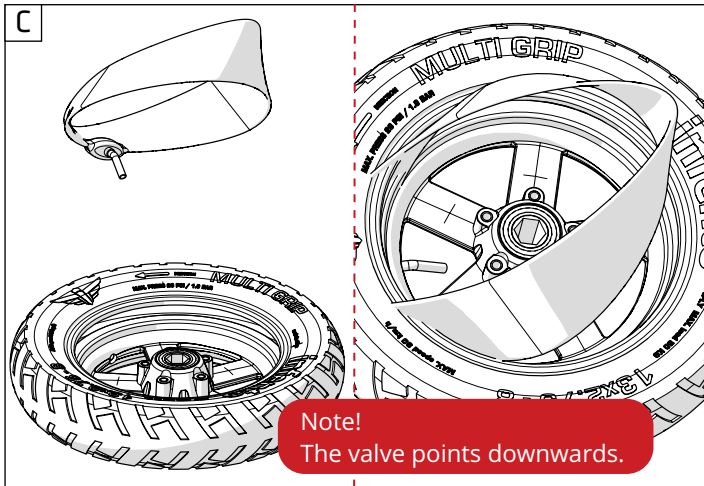
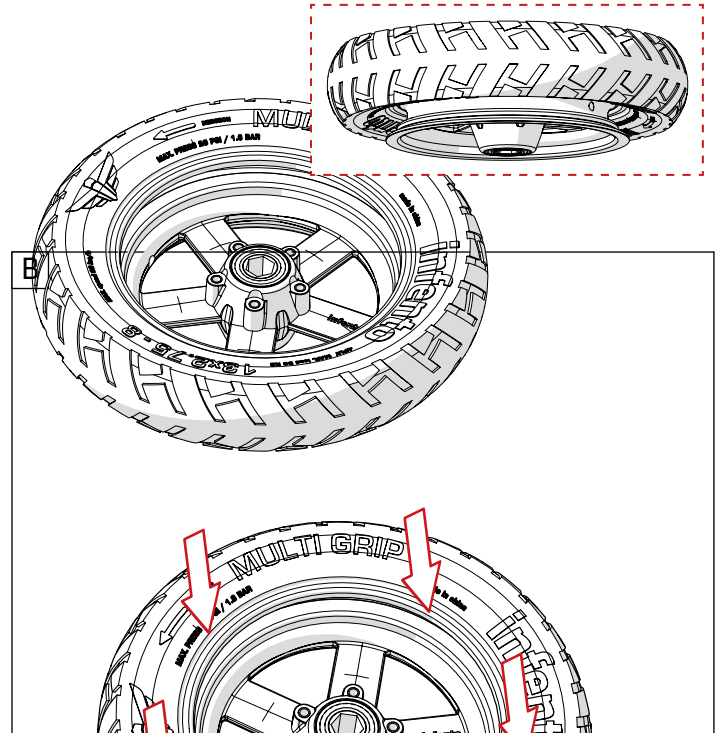
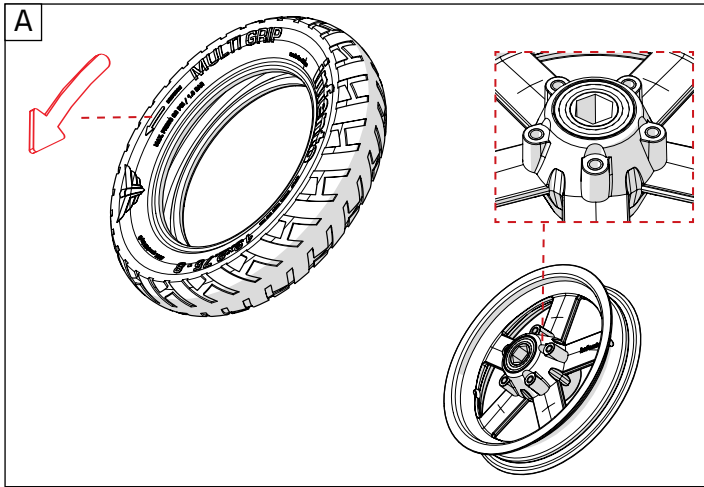
- 
Bolt M5x6 2x
- 
Caliper shield 1x
- 
Locknut M8 1x
- 
Bolt M8x20
(low head) 1x



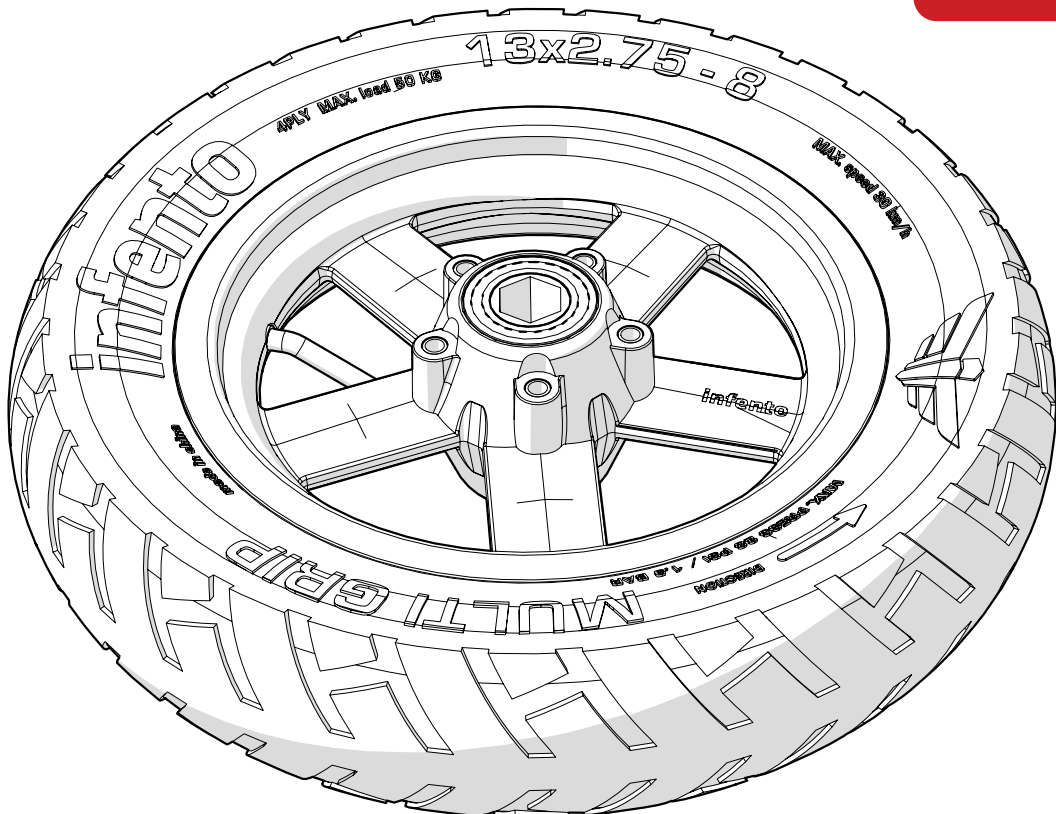


42

ride BIKER



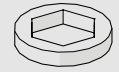
Pull the tire over the rim and inflate the tire to max 1.5 bar.



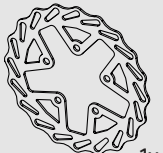


43

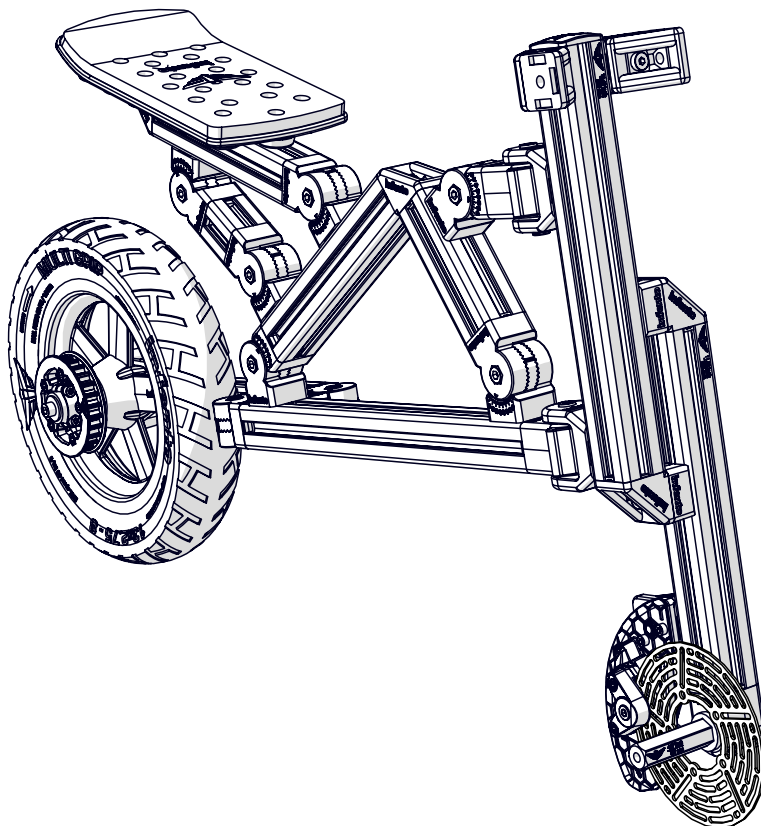
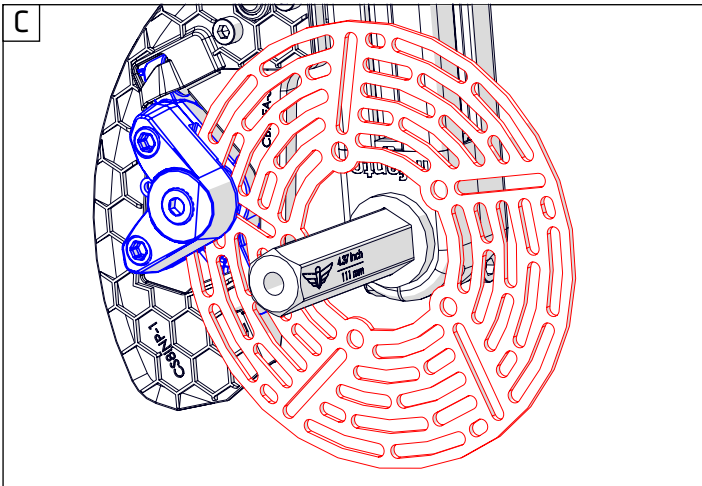
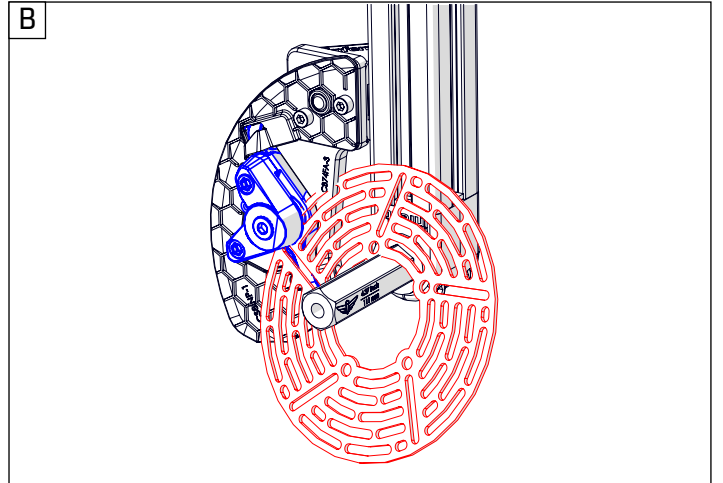
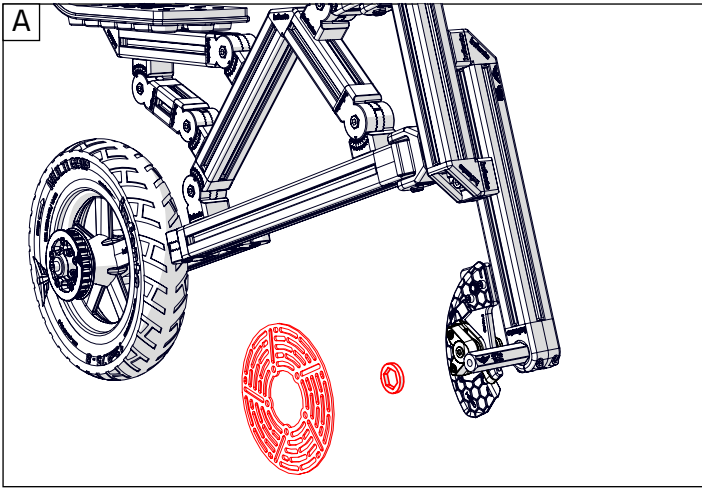
ride **BIKER**



Spacer 1x
0.2 inch | 5 mm







Brake disc 1x

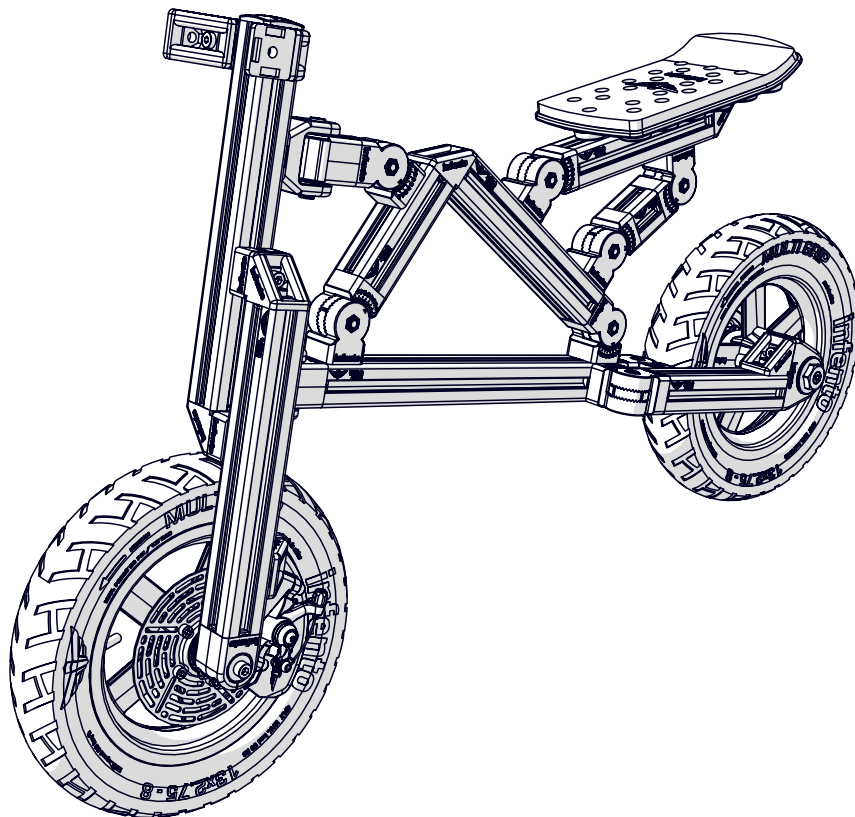
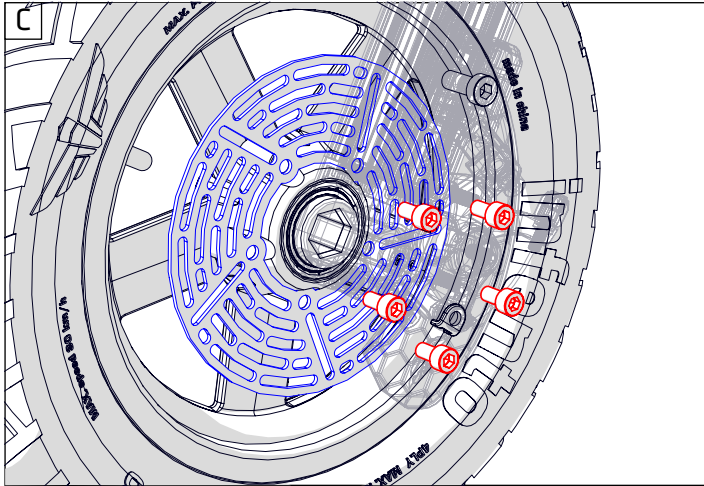
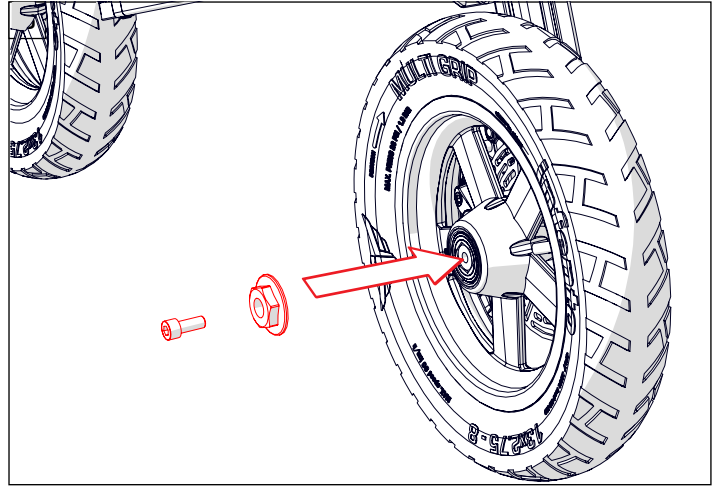
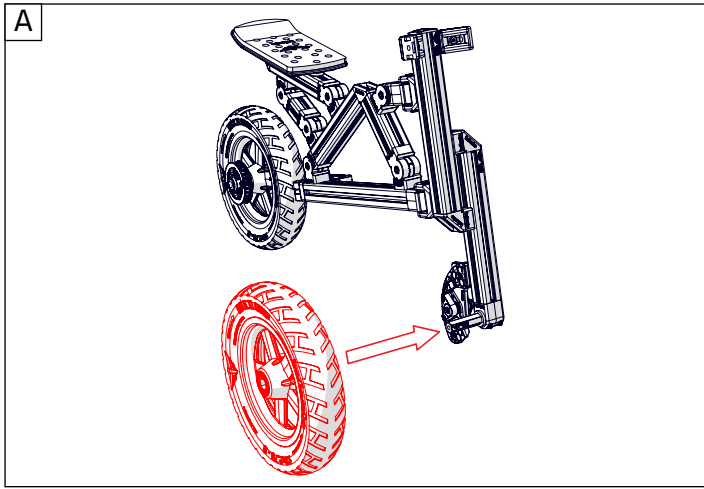




44

ride **BIKER**

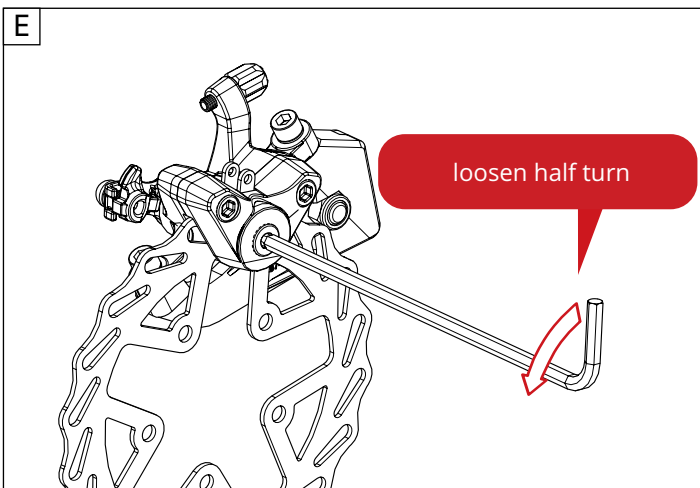
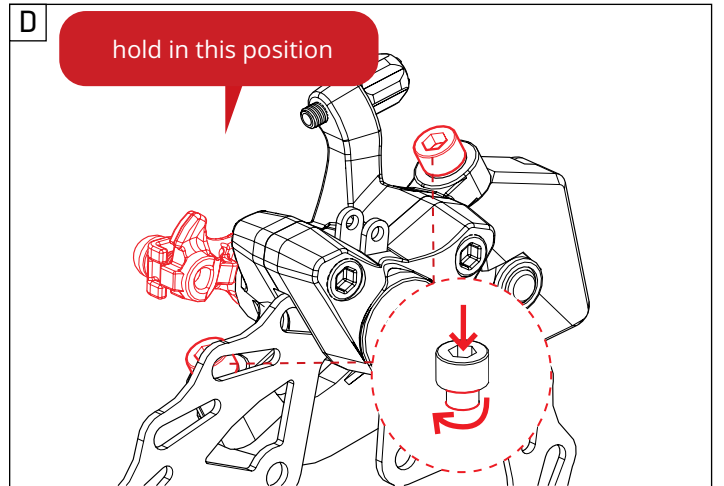
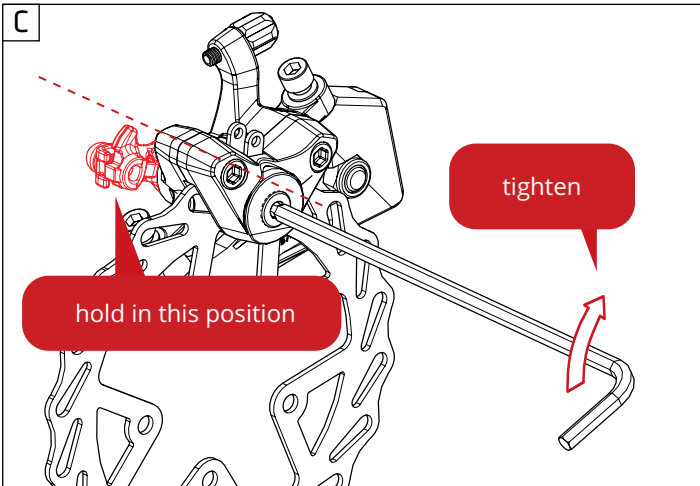
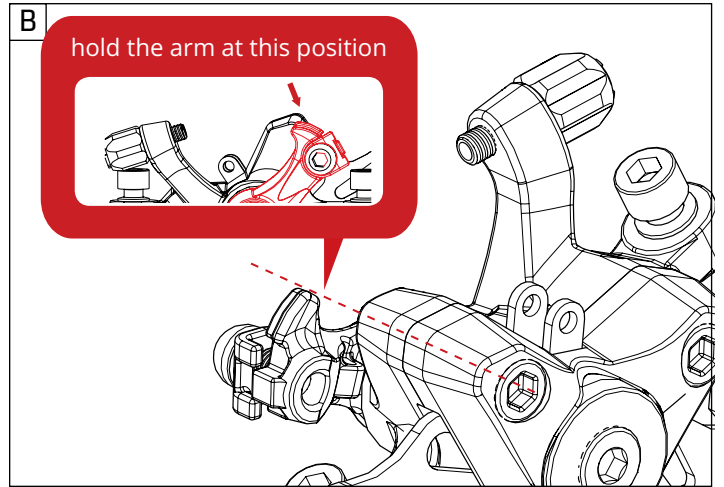
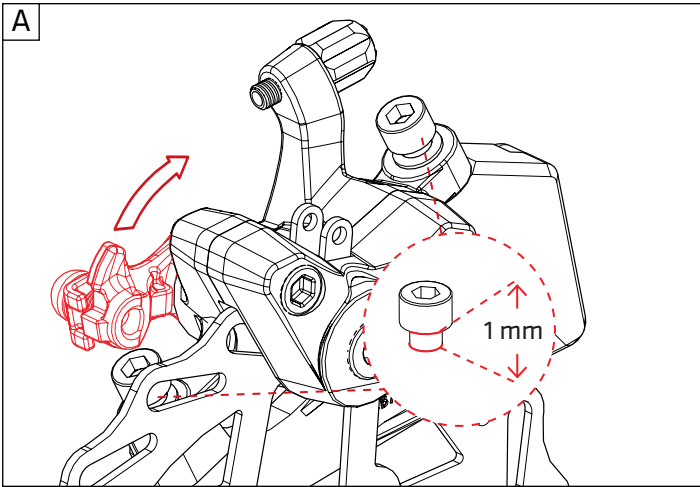
- 
Bolt M6x12 5x
- 
Bolt M8x20 1x
- 
Wheel lock ring 8-42 1x
- 
13 inch free spinning wheel 1x





45

ride **BIKER**

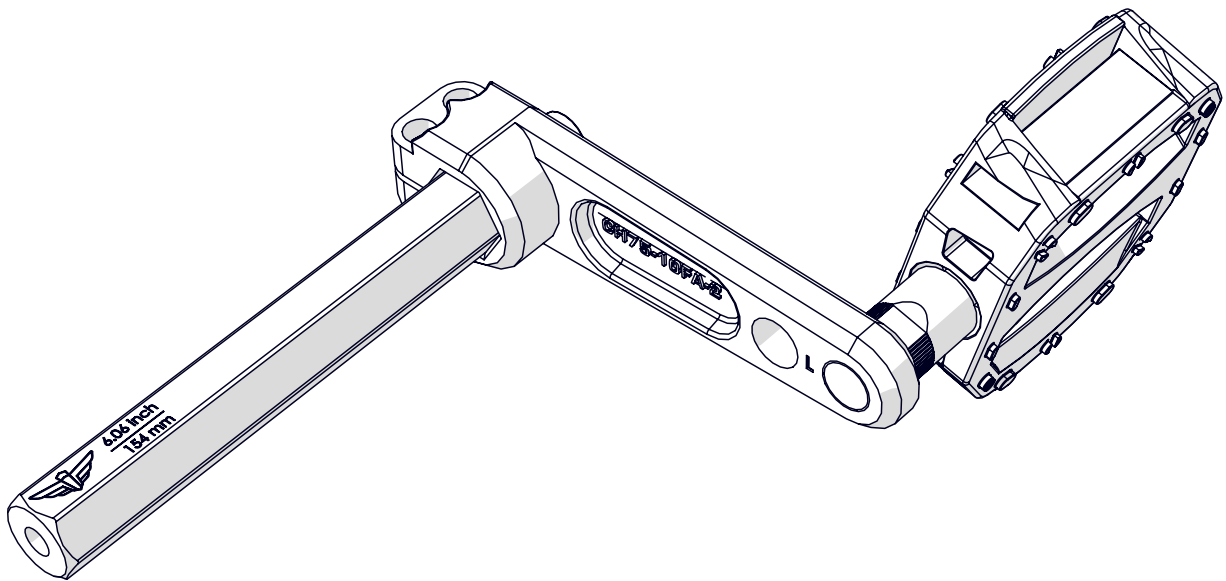
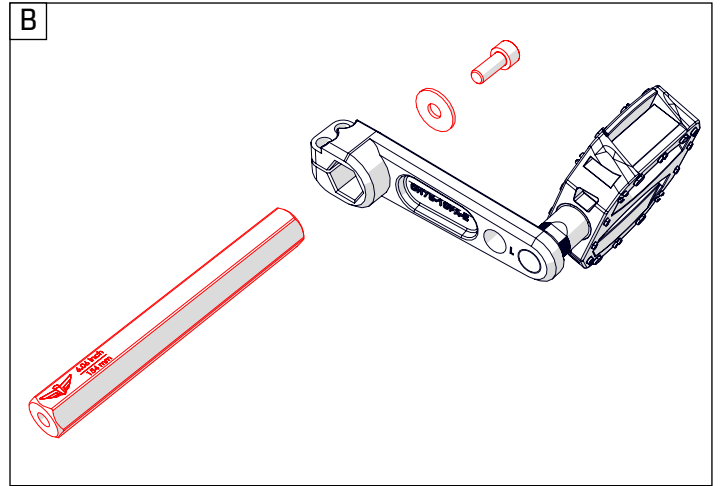
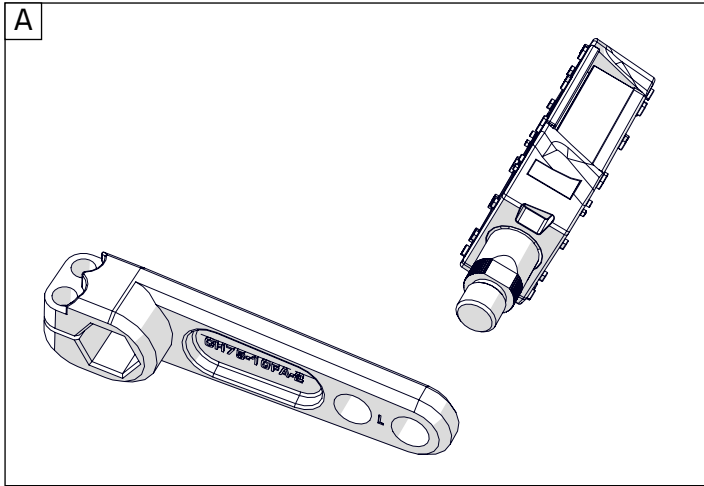




46

ride **BIKER**

- Washer M8-24 1x
- Bolt M8x20 1x
- Axle 6.06 inch | 154 mm 1x
- Crank left 1x
- Pedal left 1x

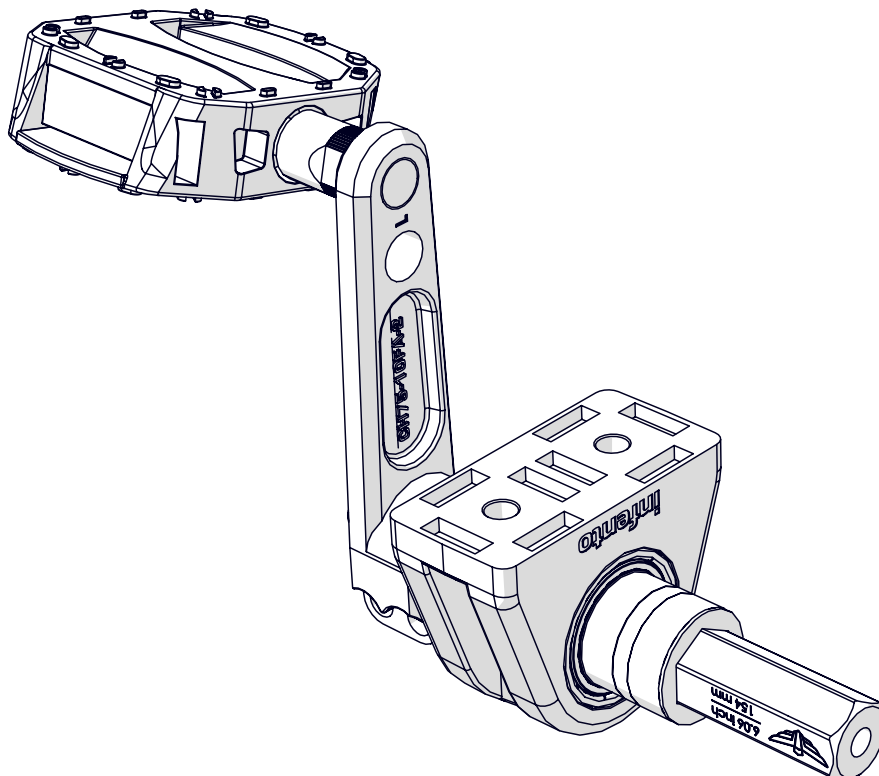
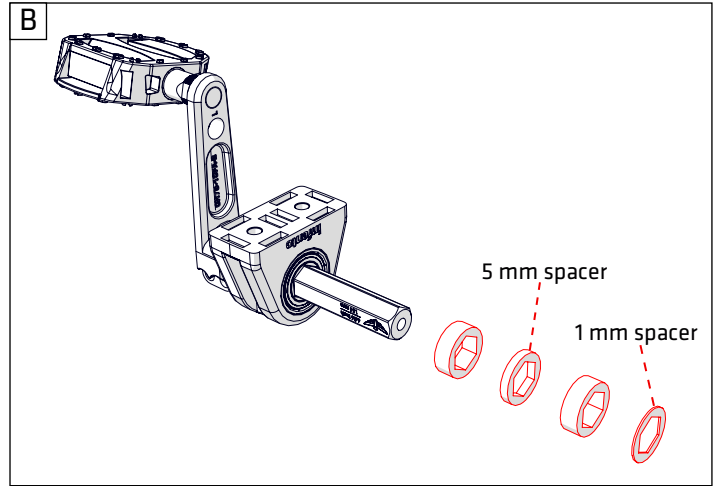
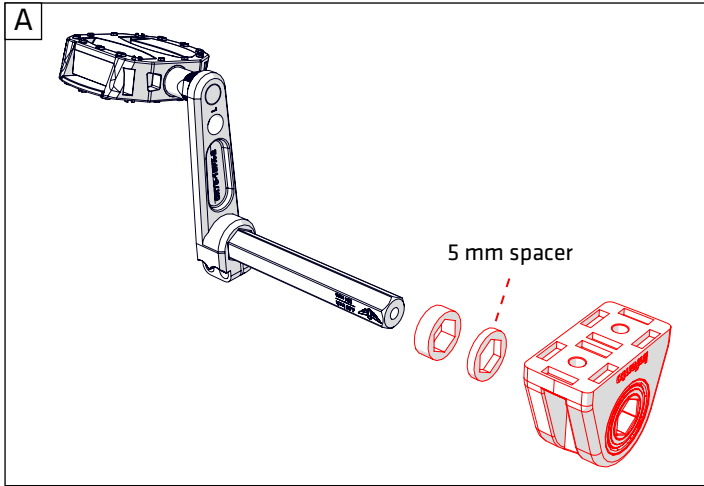




47

ride **BIKER**


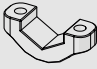


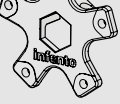
- Spacer 1x
0.04inch | 1 mm
- +
- Spacer 3x
0.39 inch | 10 mm
- +
- Spacer 2x
0.2 inch | 5 mm
- +
- Bearingblock 1x
40x80_hexa 19

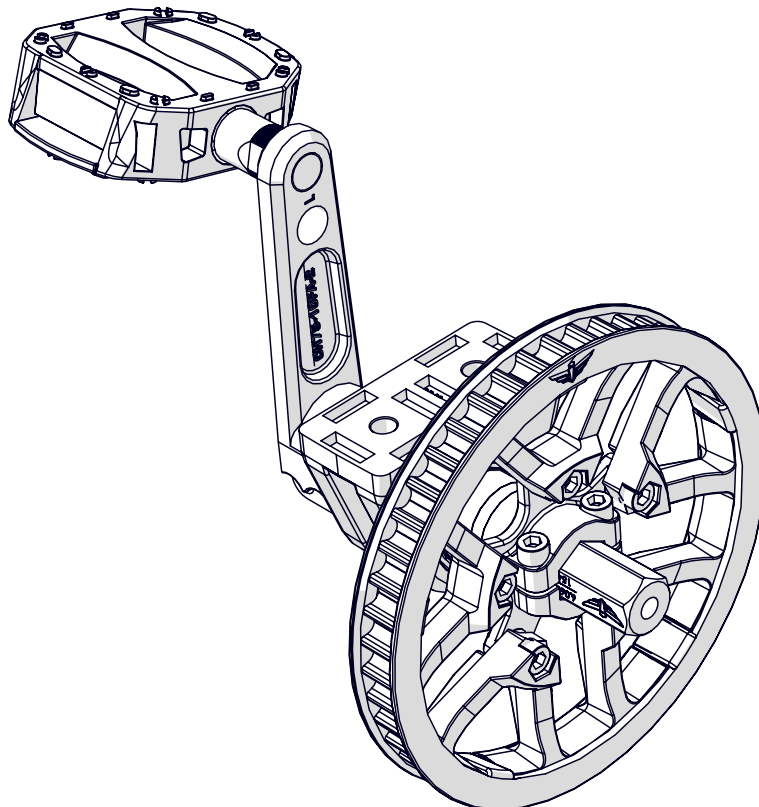
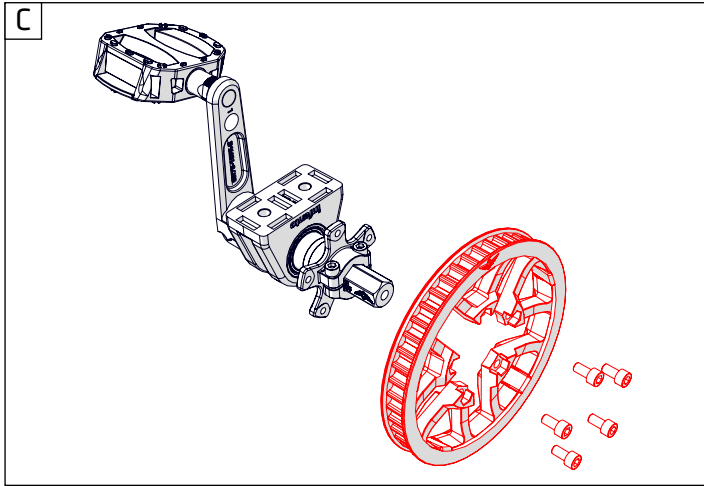
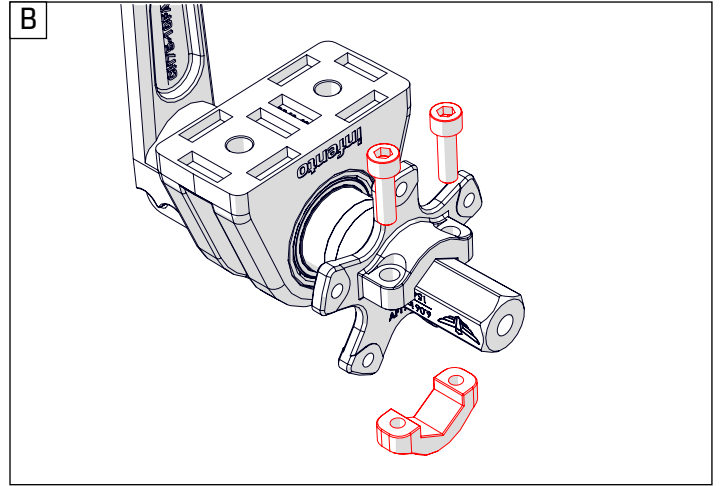
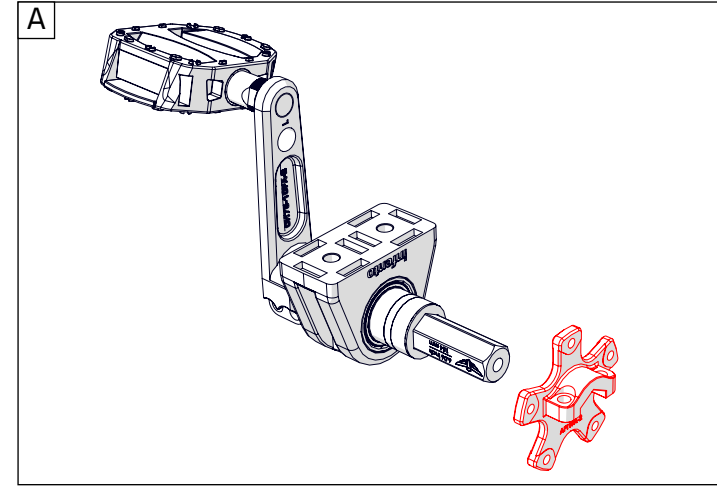




48

ride **BIKER**

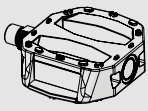
- 
Bolt M6x20
- +
- 
Clamping part
- +
- 
Bolt M6x12
- +
- 
Toothed belt pulley 46T
- +
- 
Axle flange



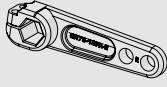


49

ride **BIKER**



Pedal right 1x



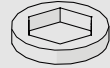
Crank right 1x



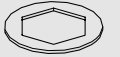
Washer M8-24 1x



Bolt M8x20 1x

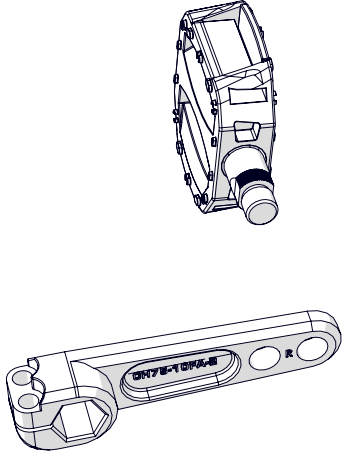


Spacer 0.2 inch | 5 mm 1x

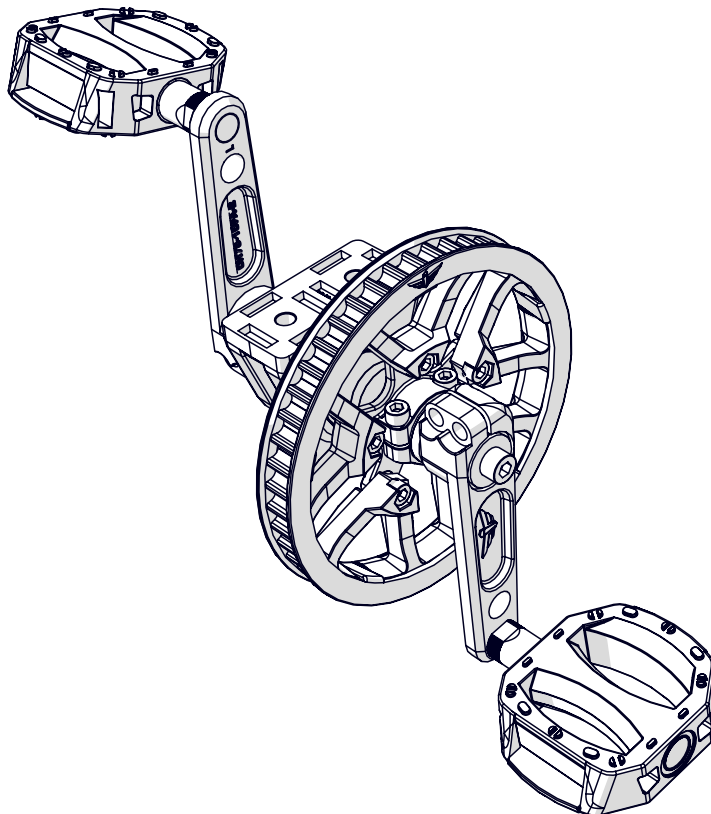
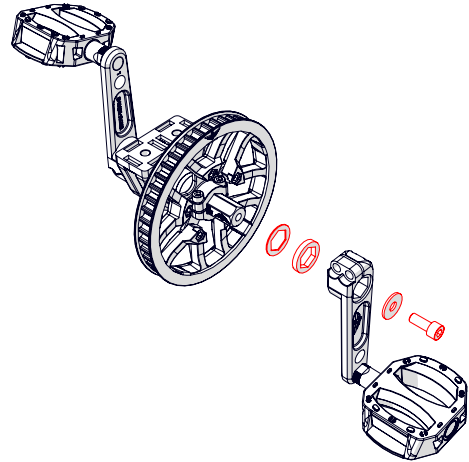


Spacer 0.04inch | 1 mm 1x

A



B



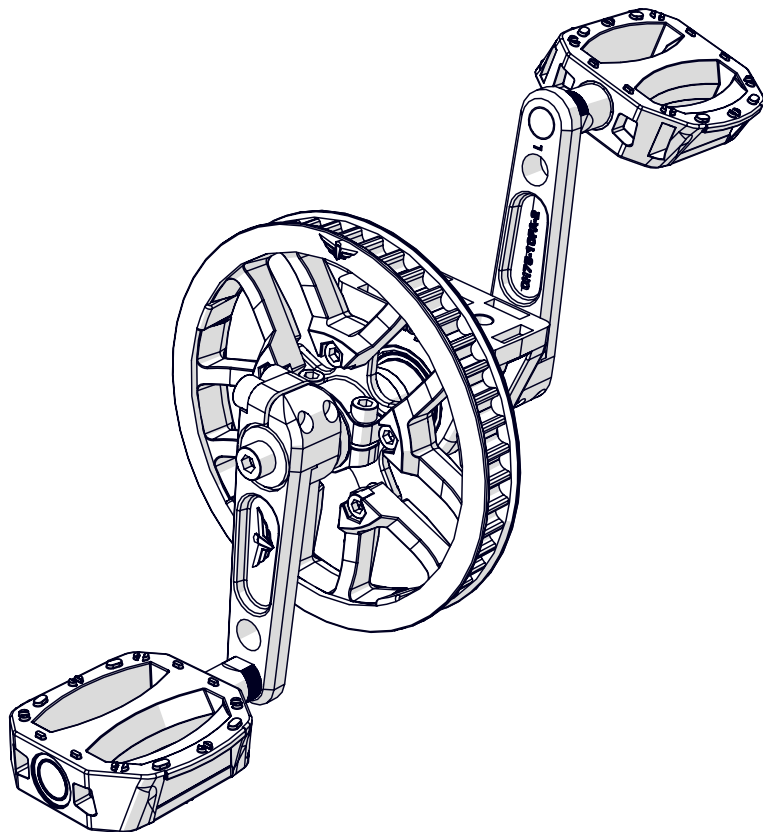
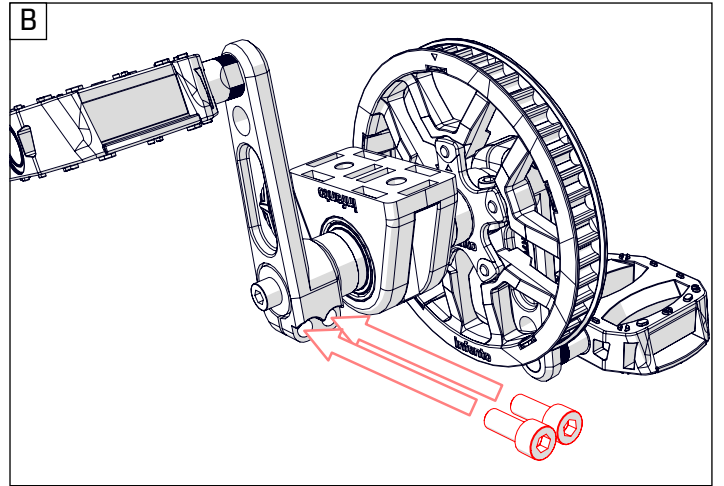
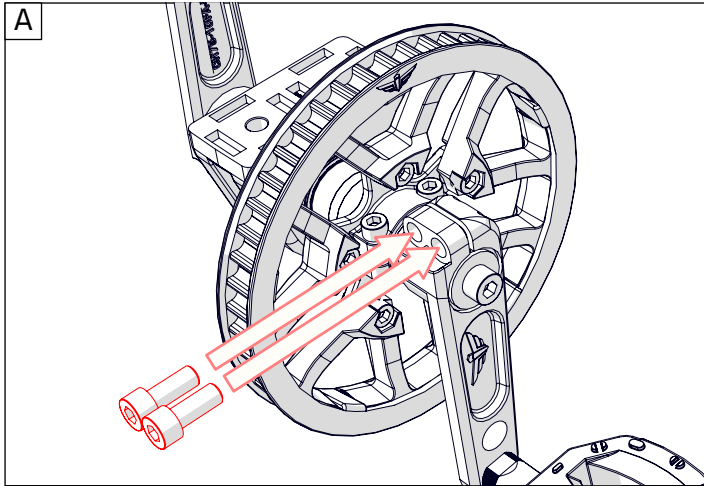


50

ride *BIKER*



4x
Bolt M8x20





51

ride *BIKER*



2x



2x

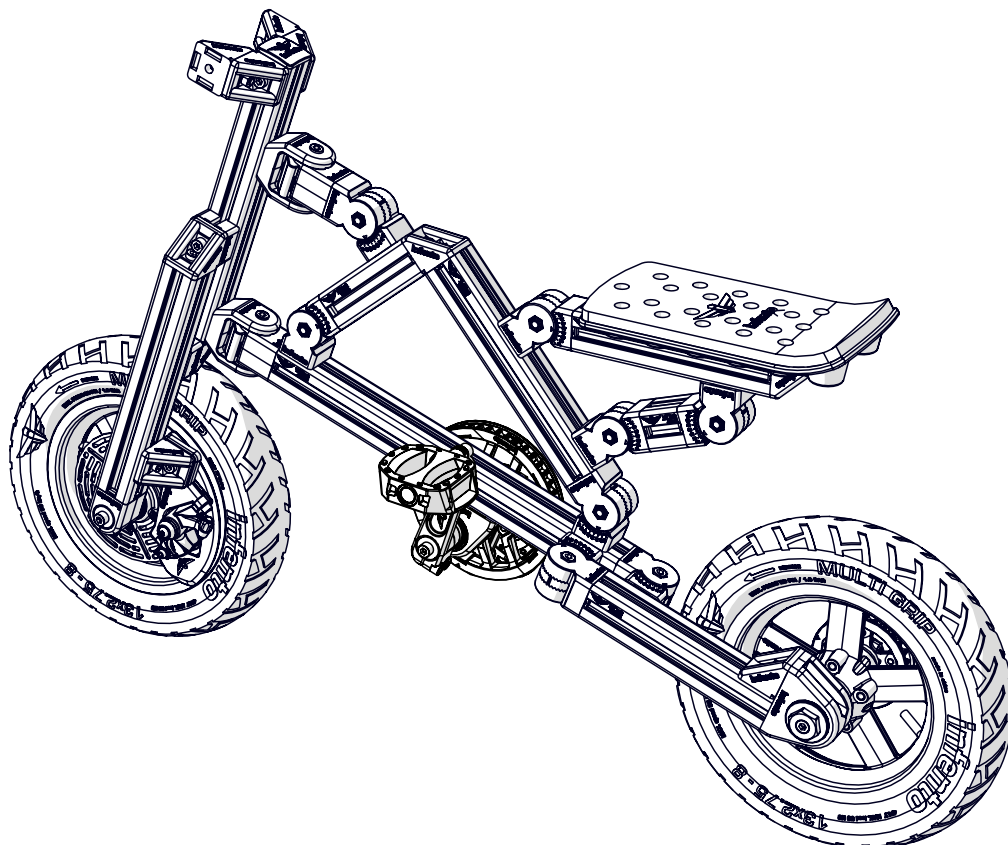
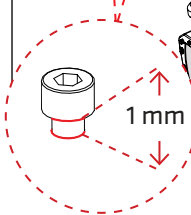
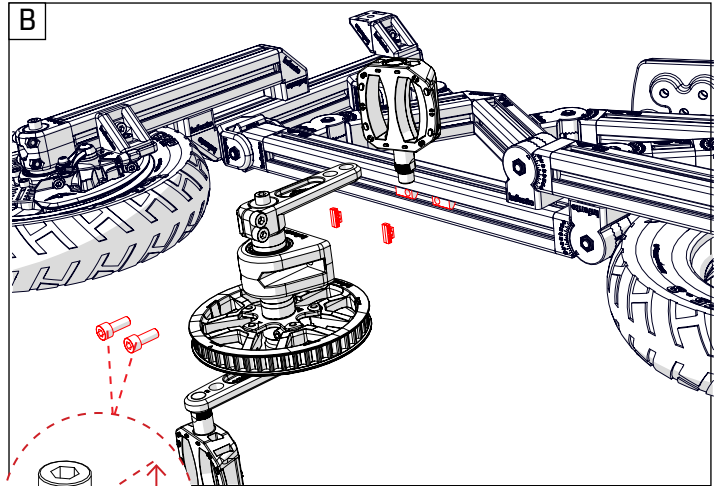
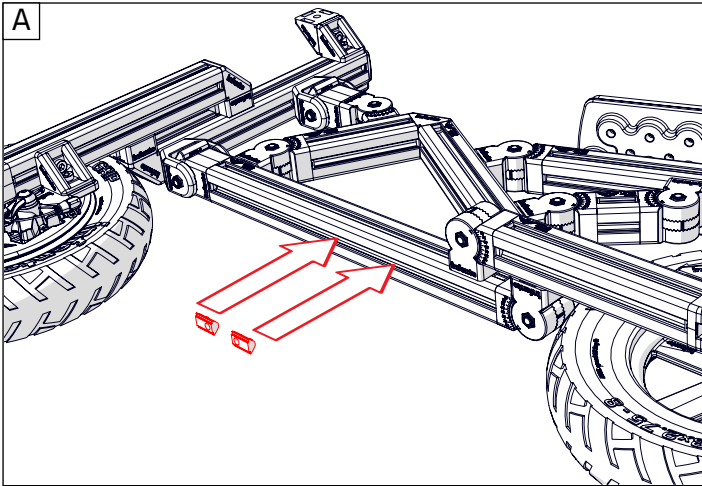


2x

Bolt M8x20

T-Positioning block

Profile nut short



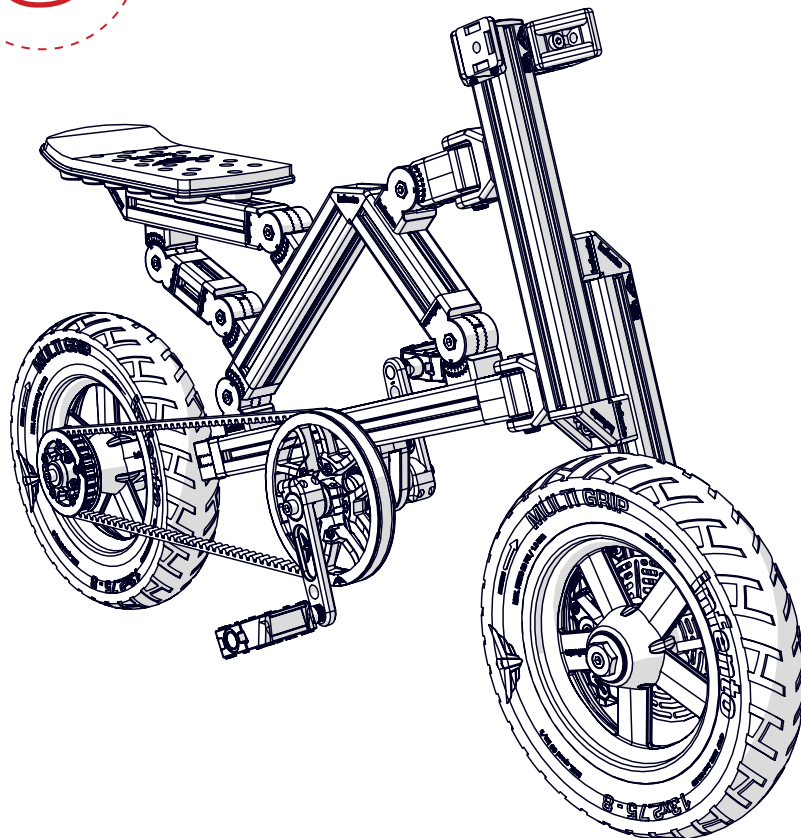
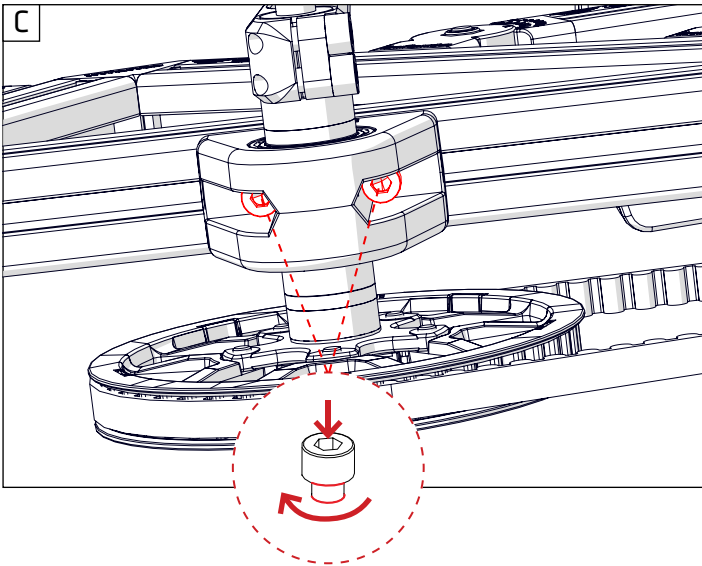
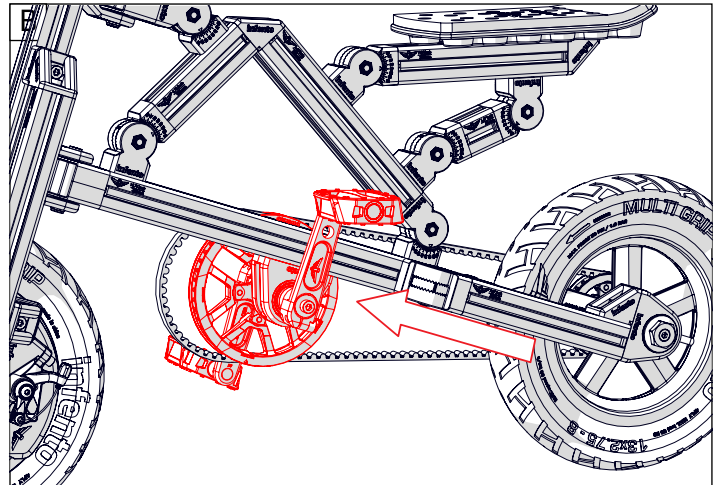
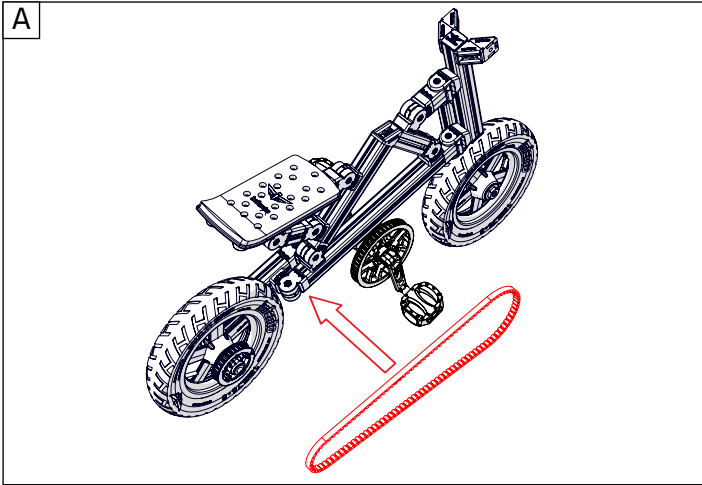


52

ride **BIKER**



Toothed belt 118T 1x





53

ride **BIKER**



Axle plate 2x



Positioning block 4x



Bolt M8x45 1x



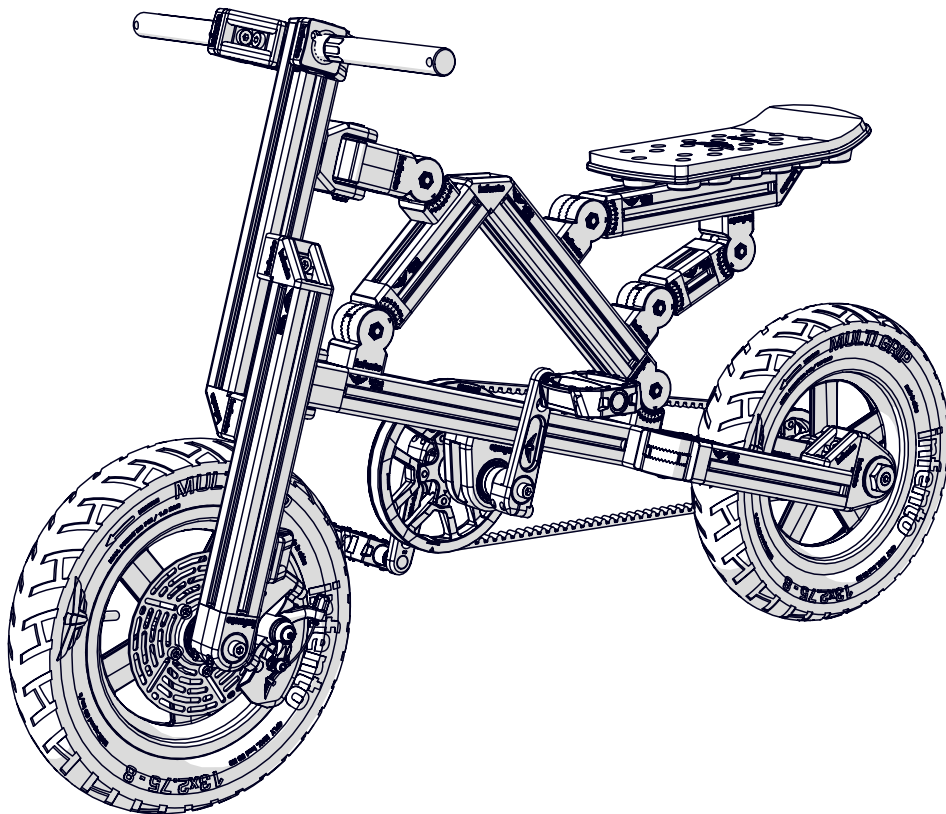
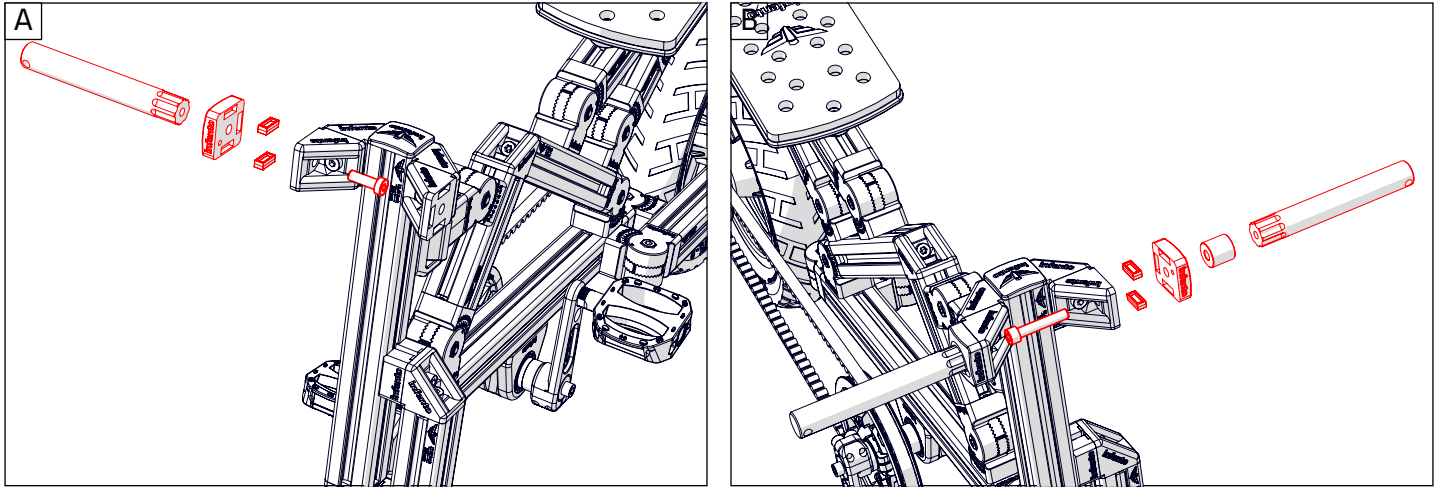
Bolt M8x25 (low head) 1x



Handlebar extension 1x



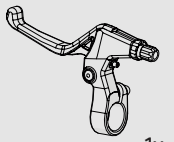
Handlebar short 2x



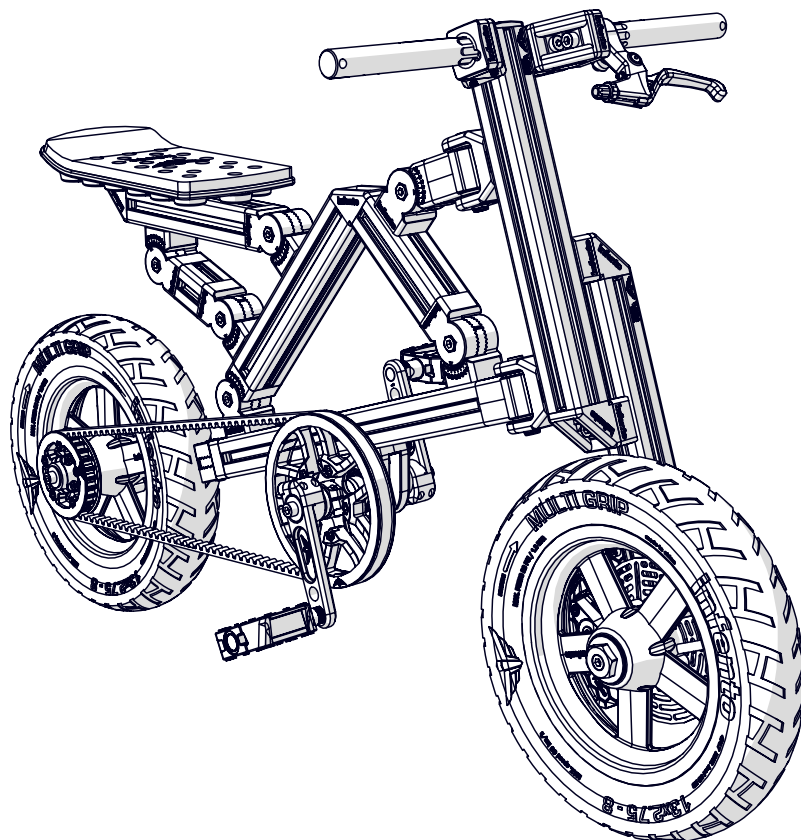
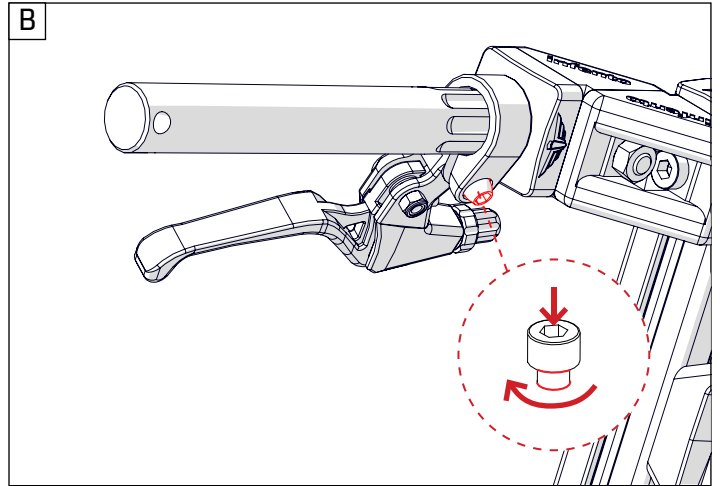
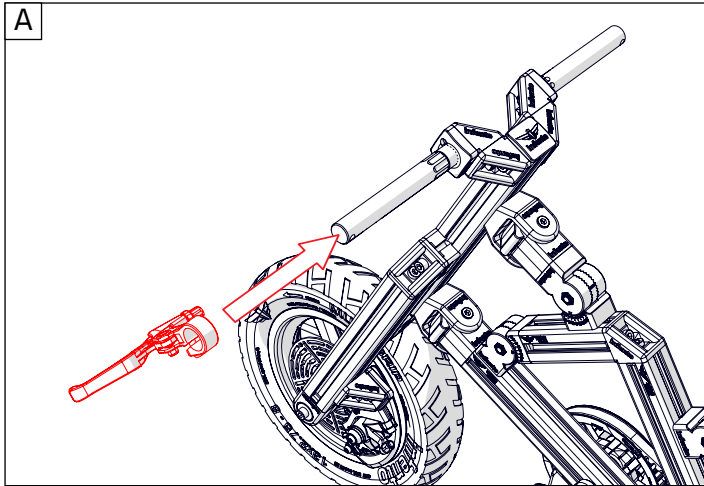


54

ride *BIKER*



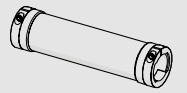
1x
Brake lever left



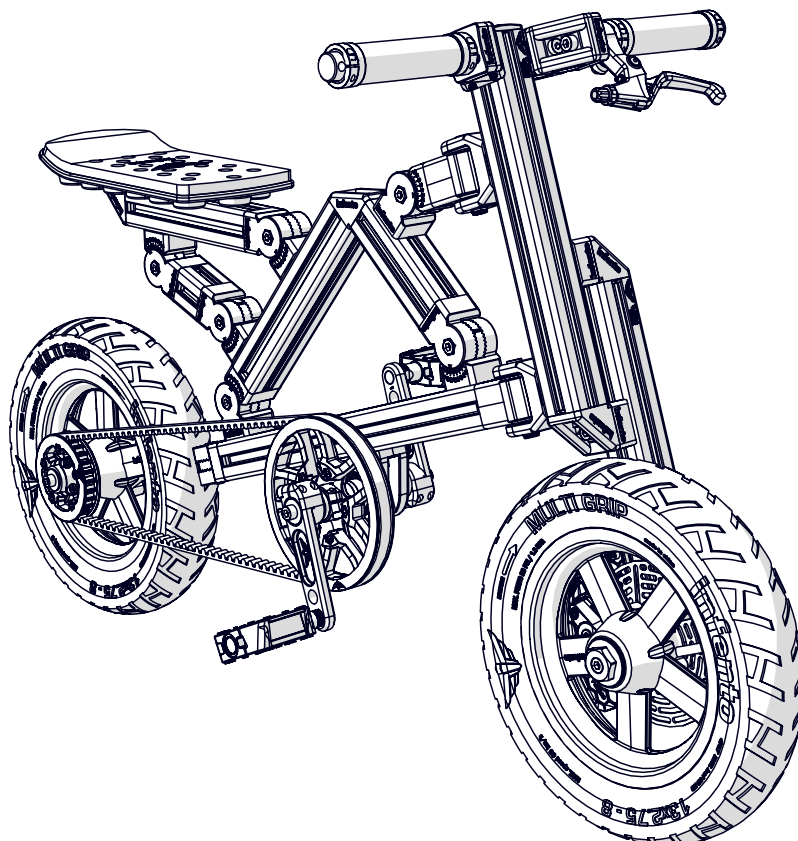
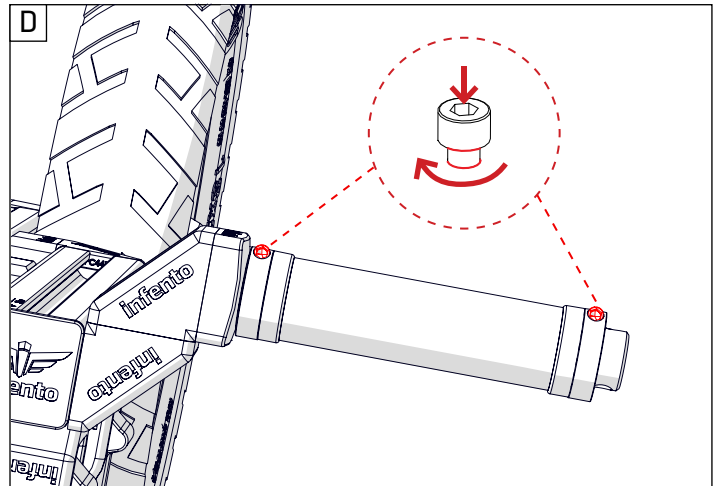
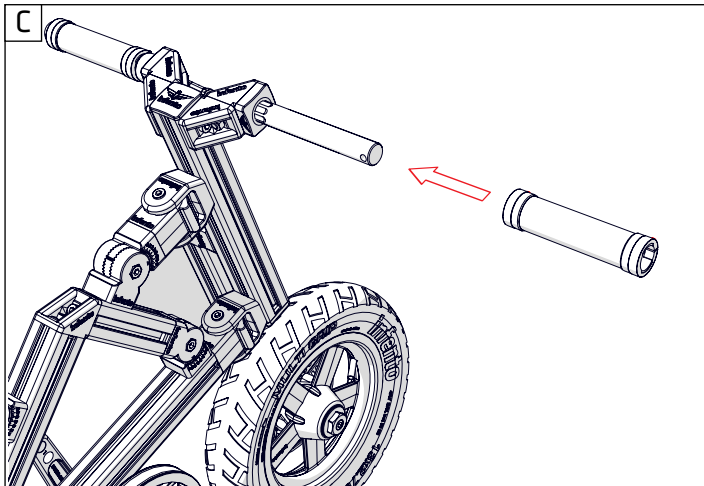
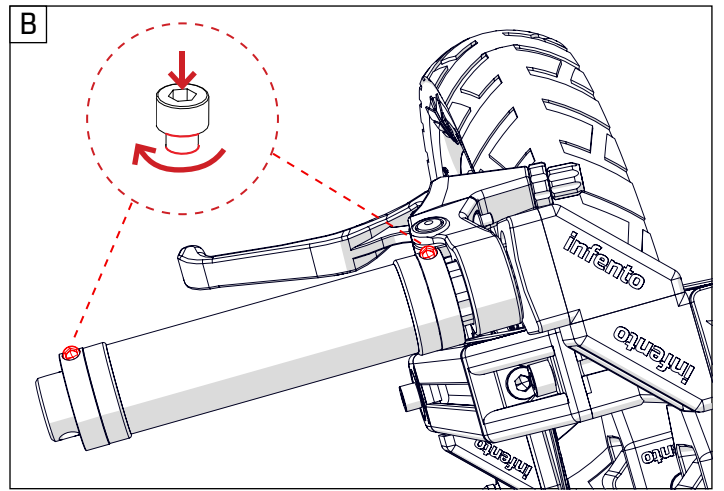
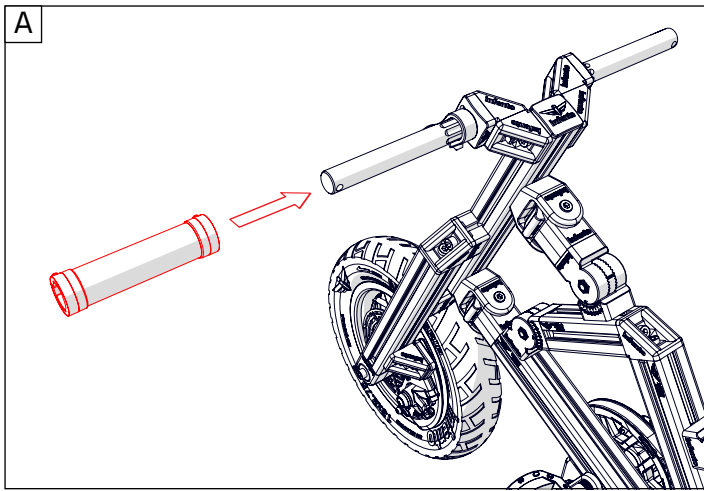


55

ride *BIKER*



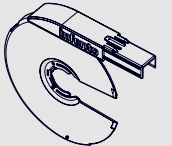
Handgrip 2x



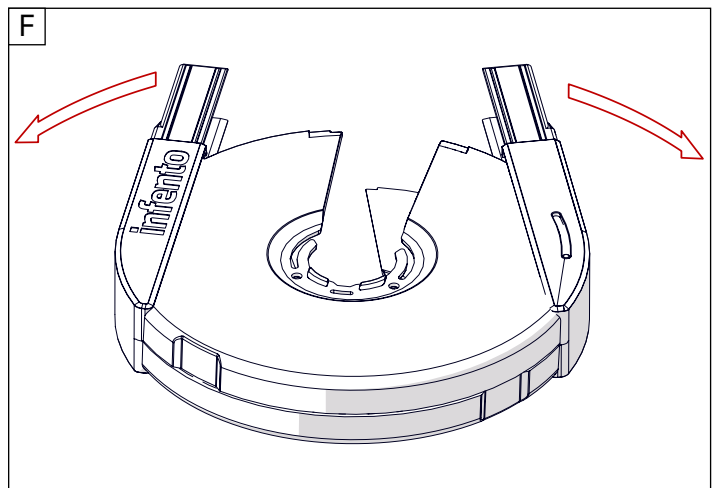
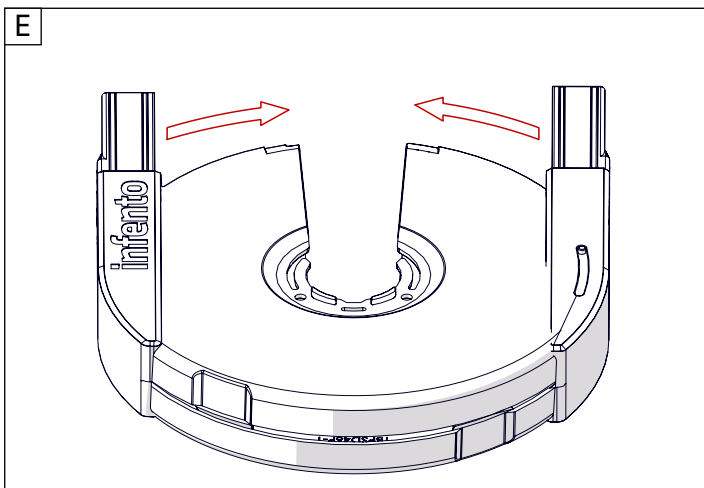
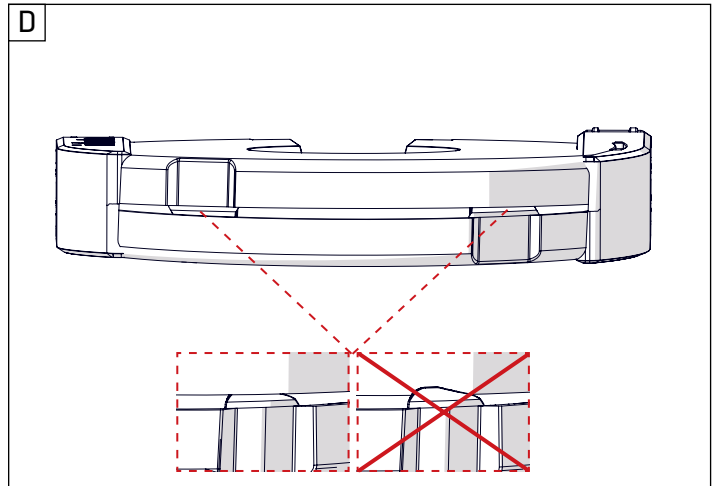
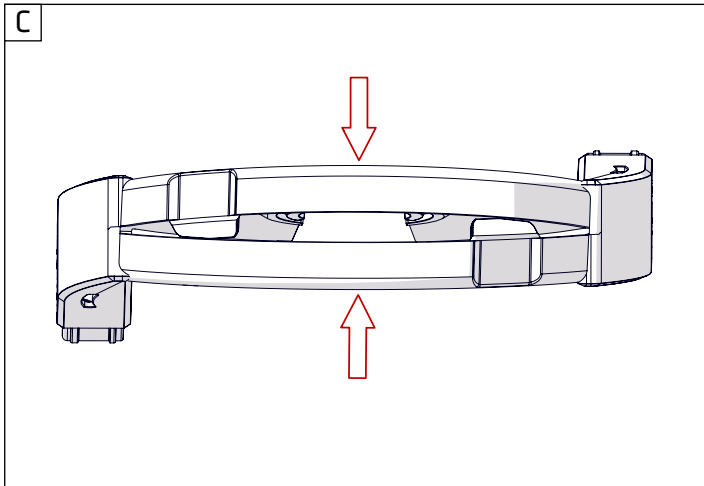
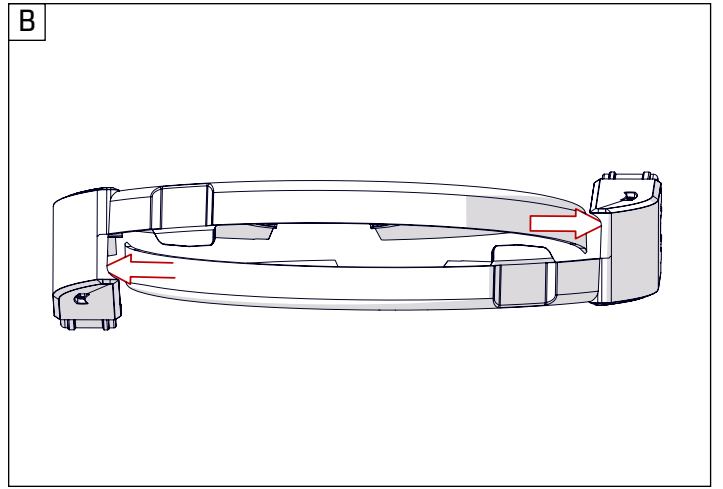
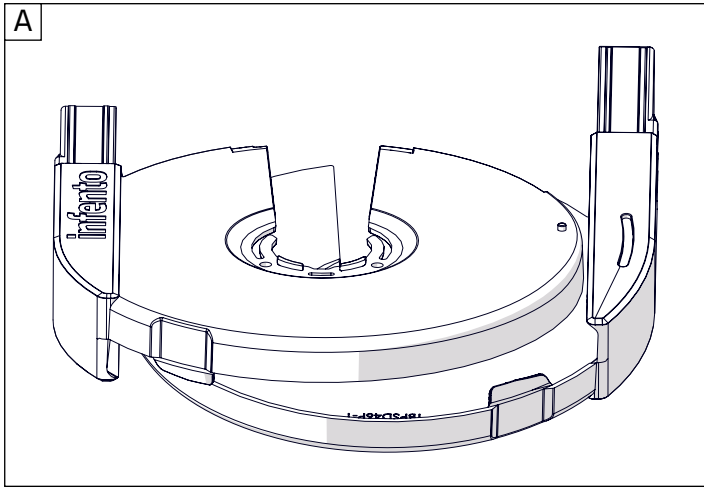


56

ride **BIKER**



Belt shield cap 46T 2x



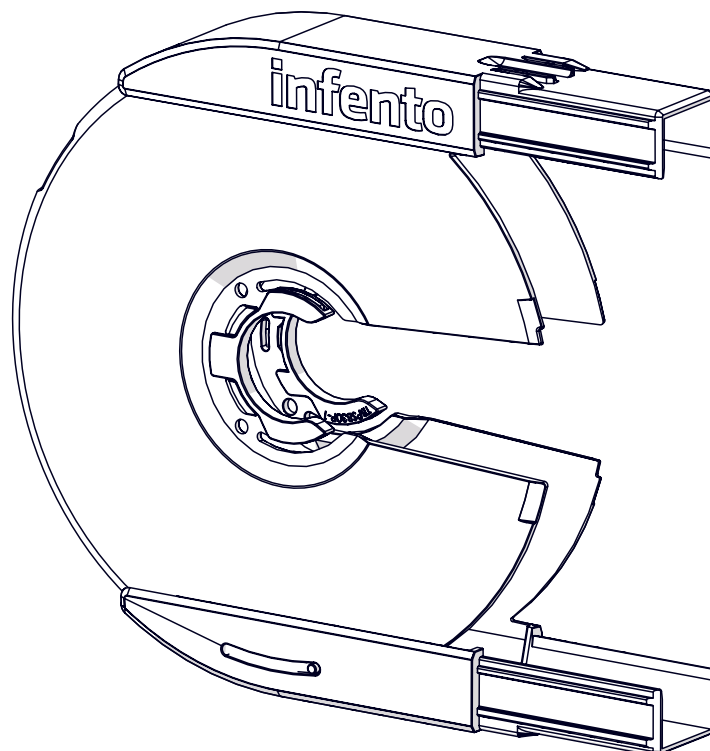
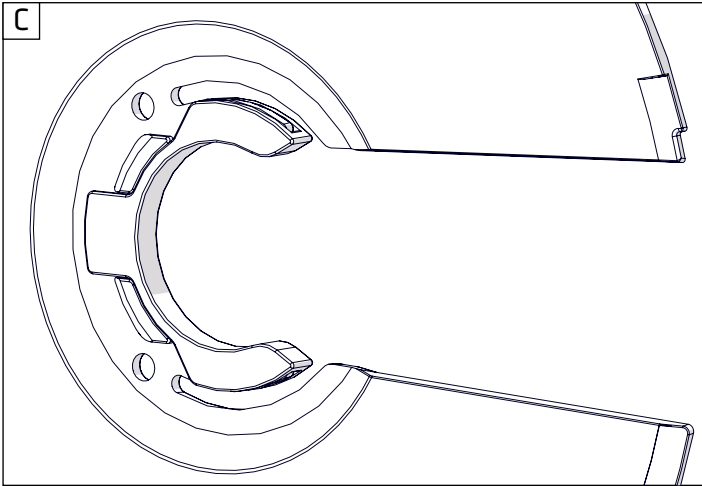
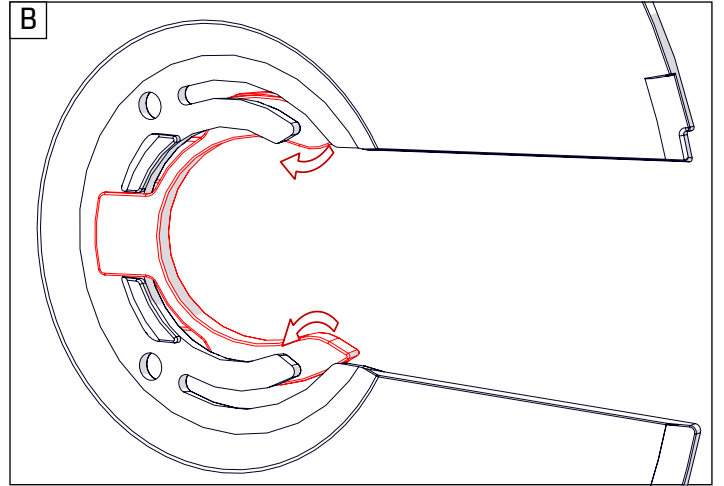
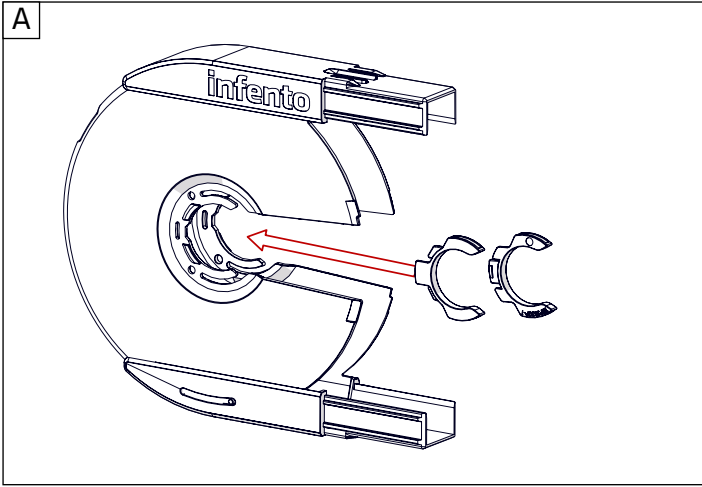


57

ride **BIKER**



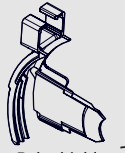
Belt shield 2x
nylon ring



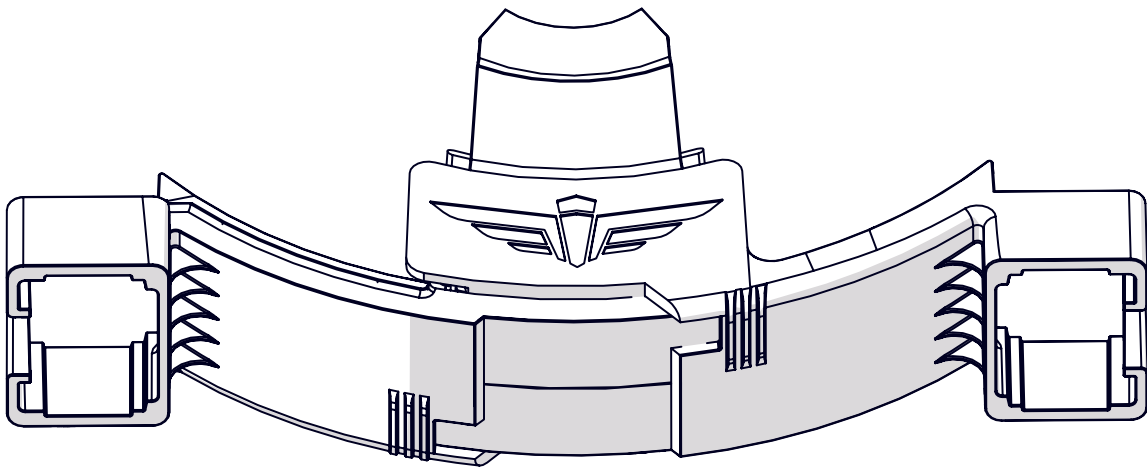
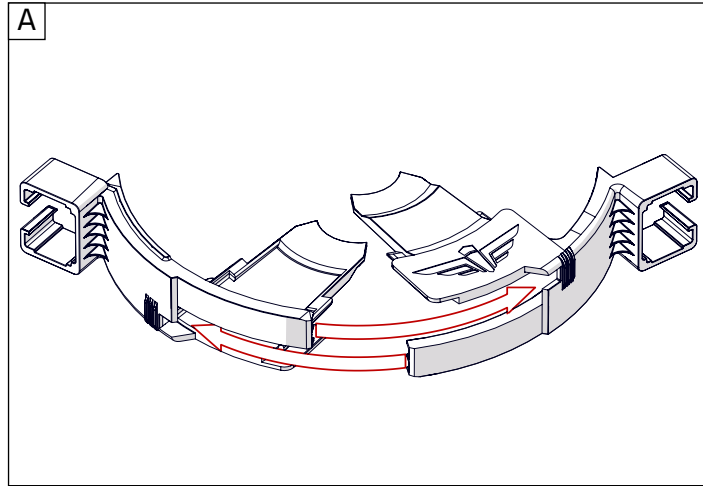


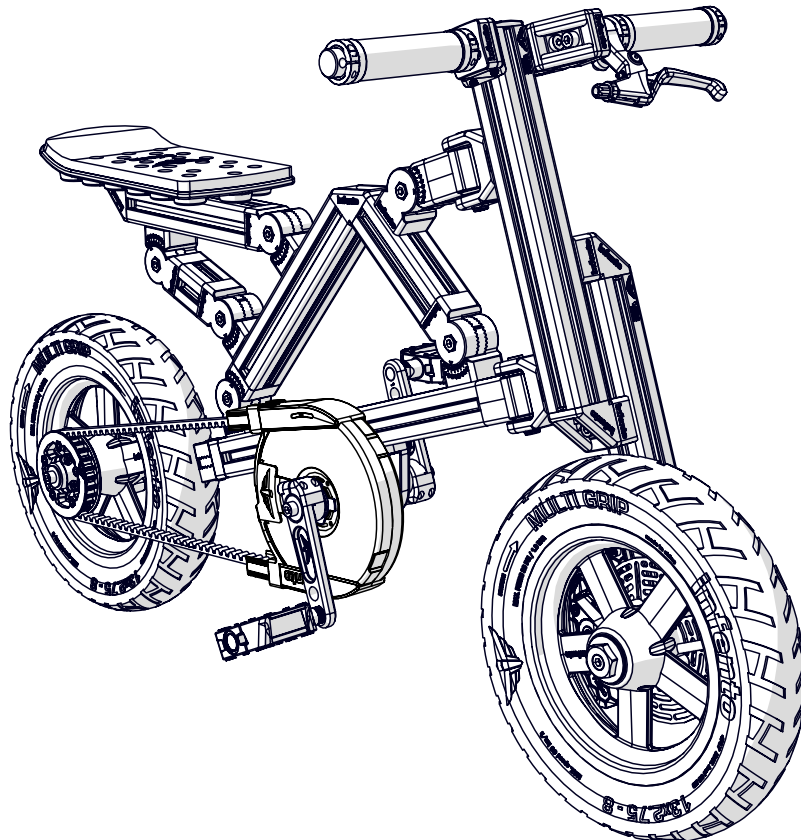
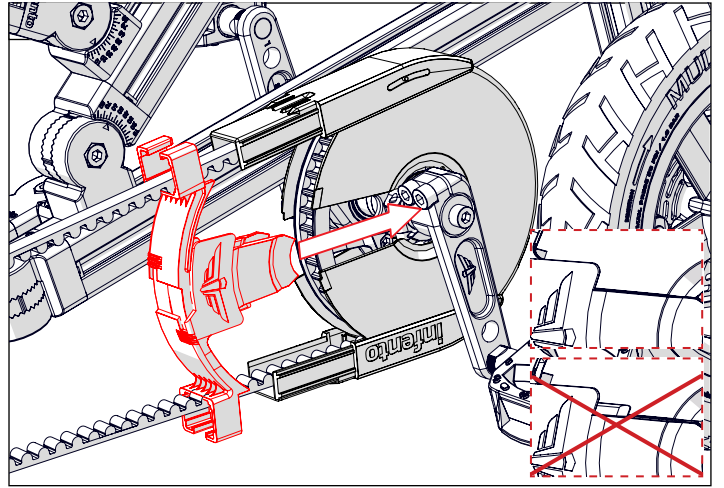
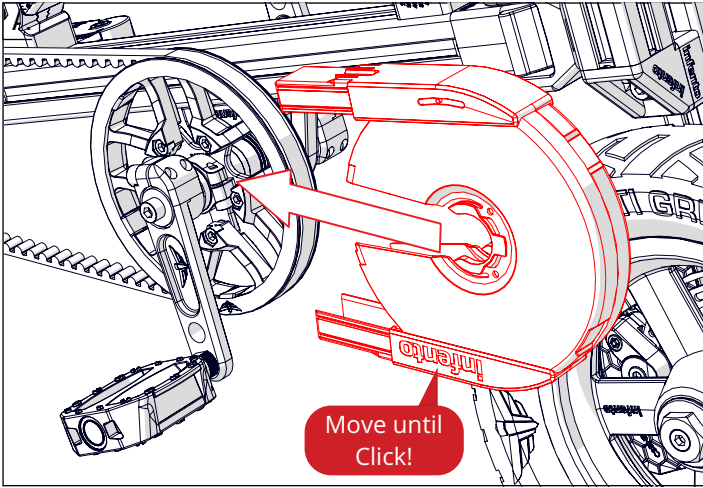
58

ride *BIKER*



Belt shield 2x
centre 46T

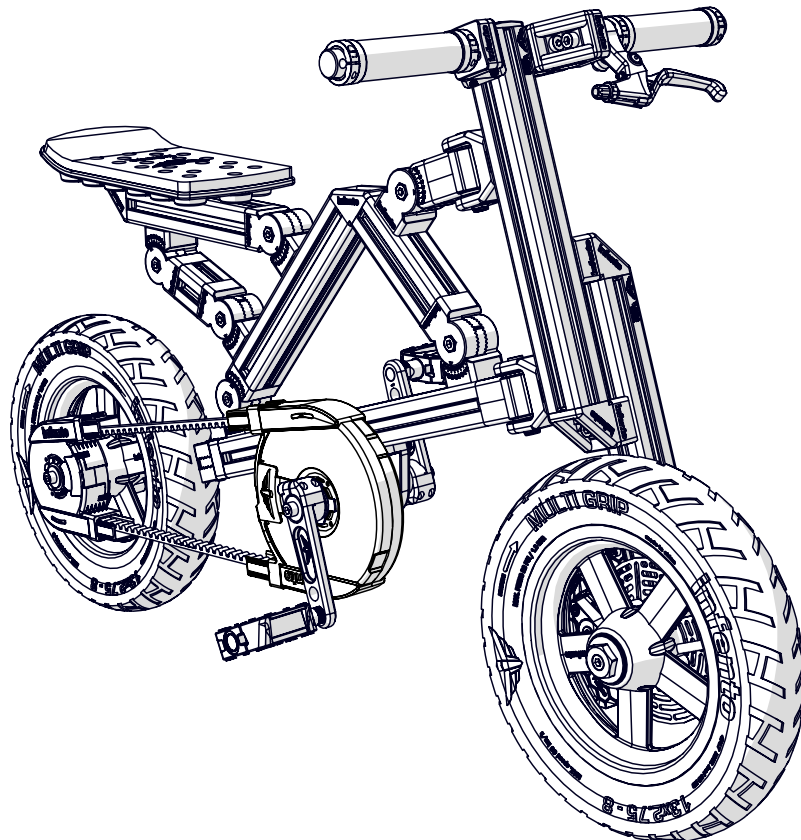
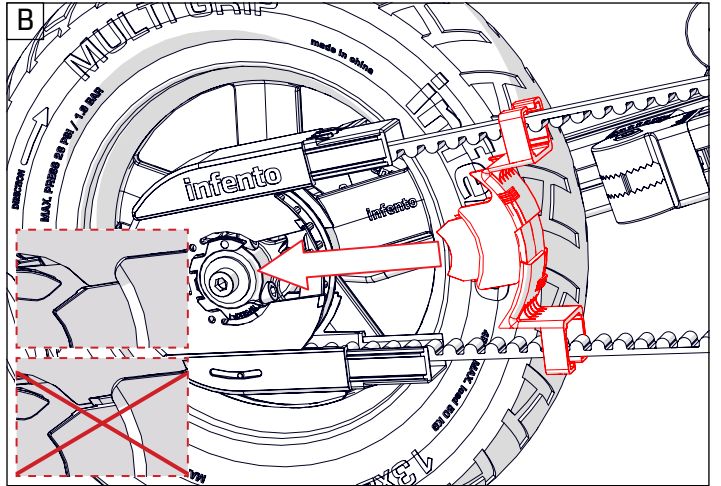
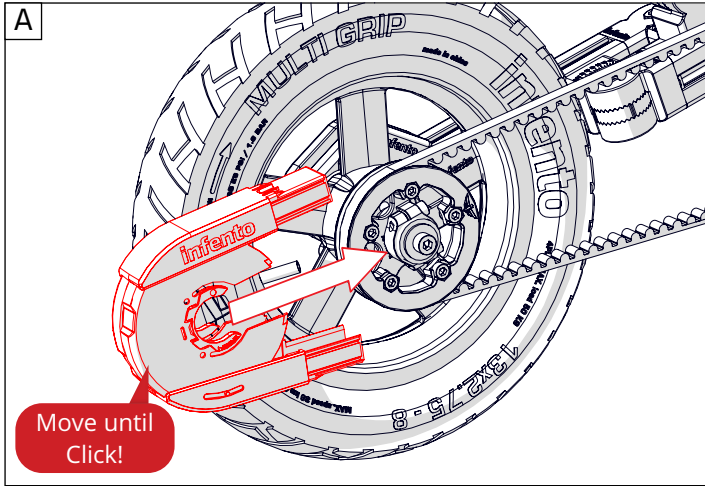






60

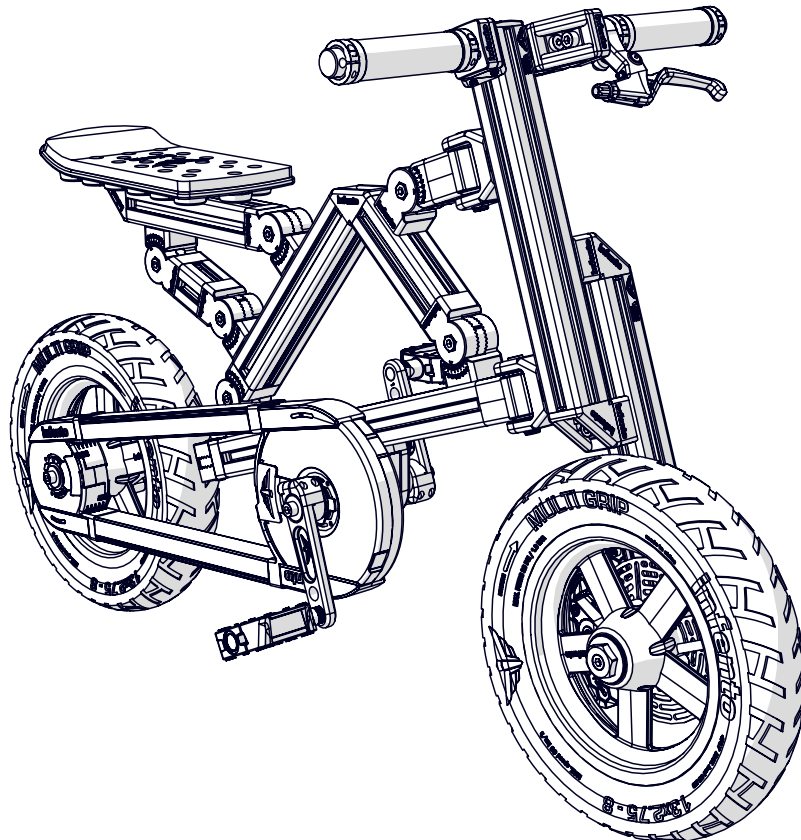
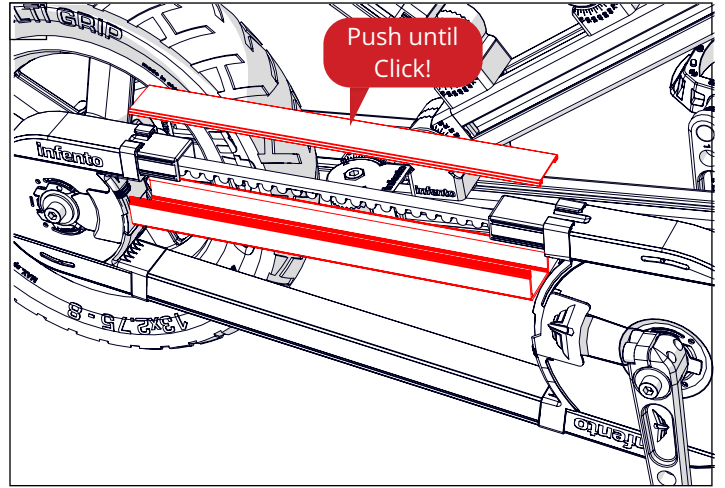
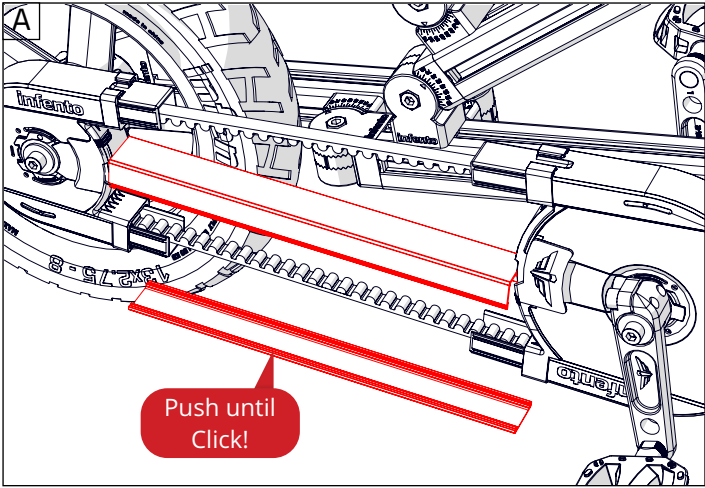
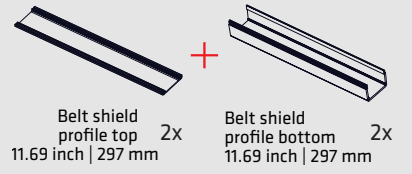
ride **BIKER**

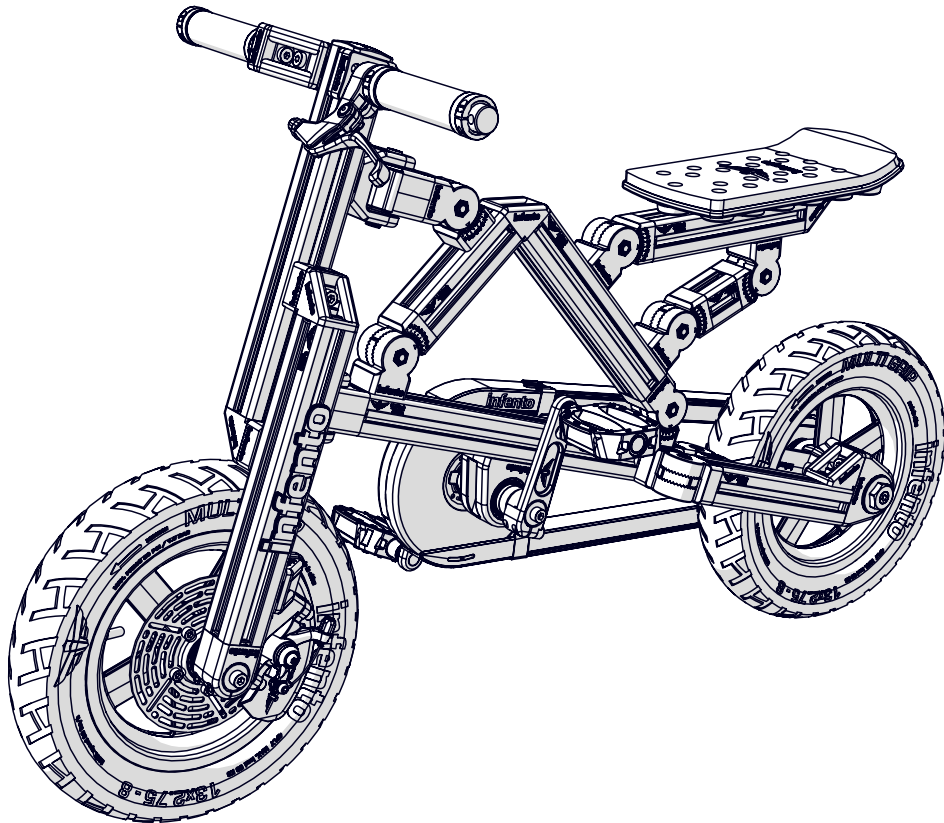
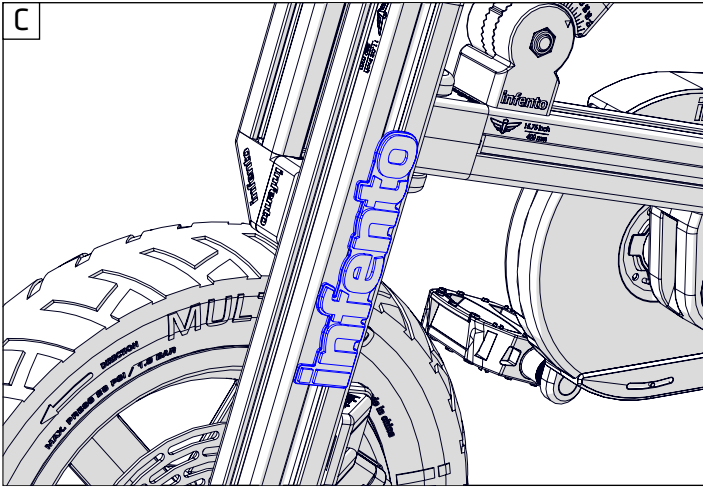
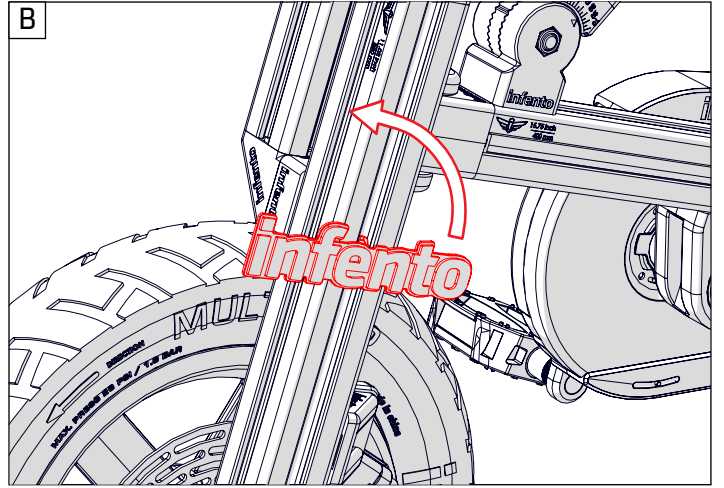
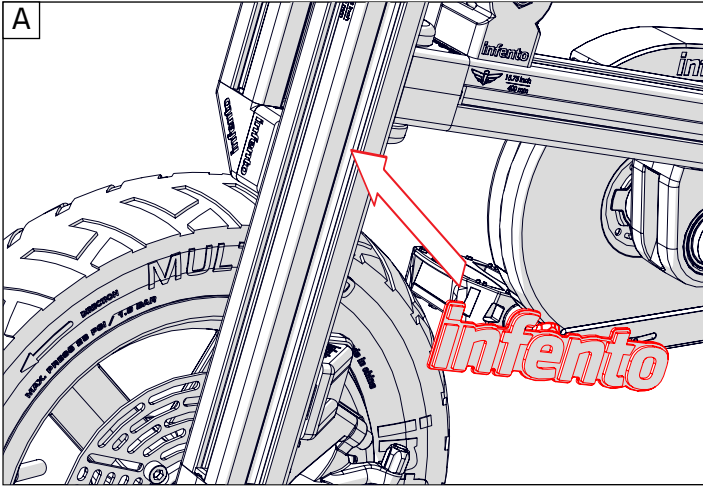




61

ride **BIKER**

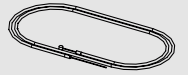




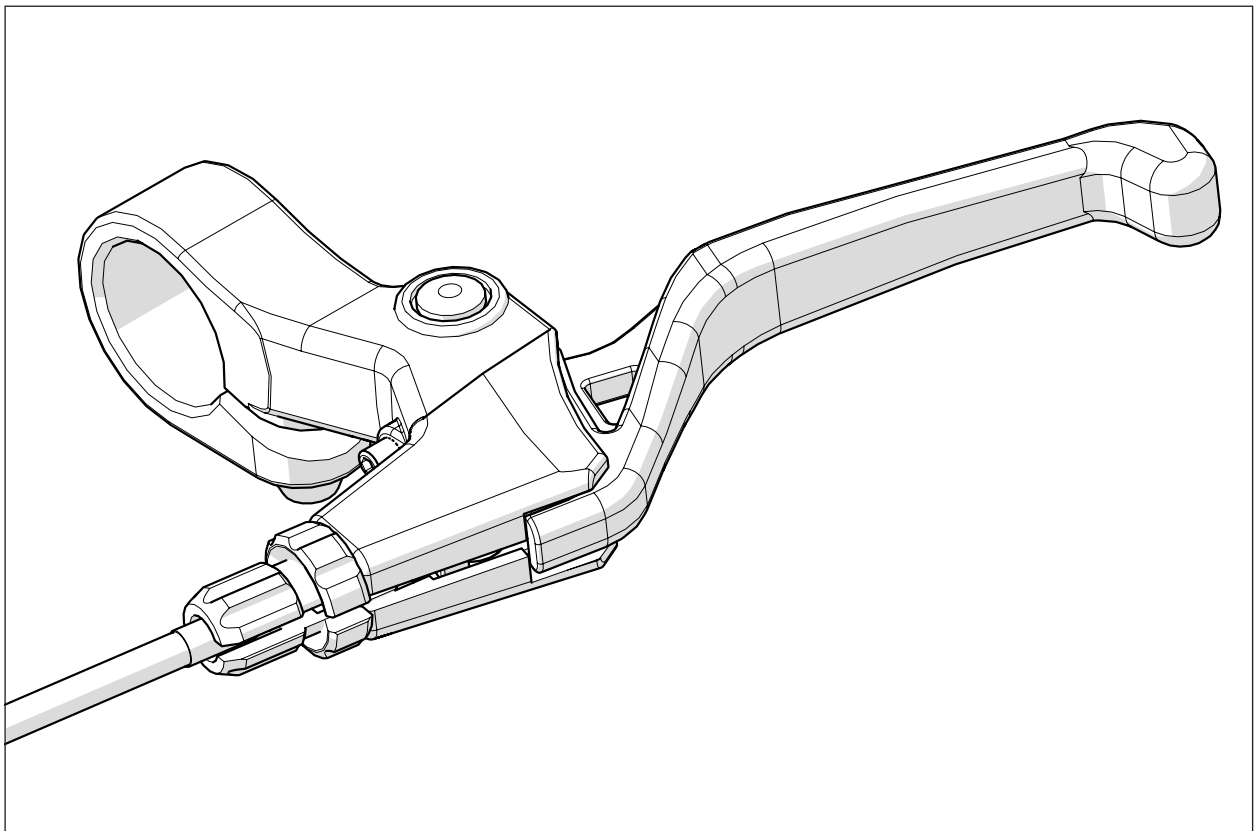
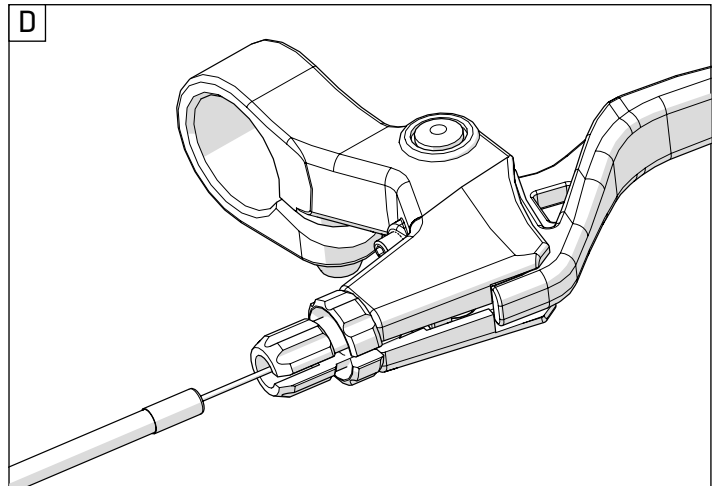
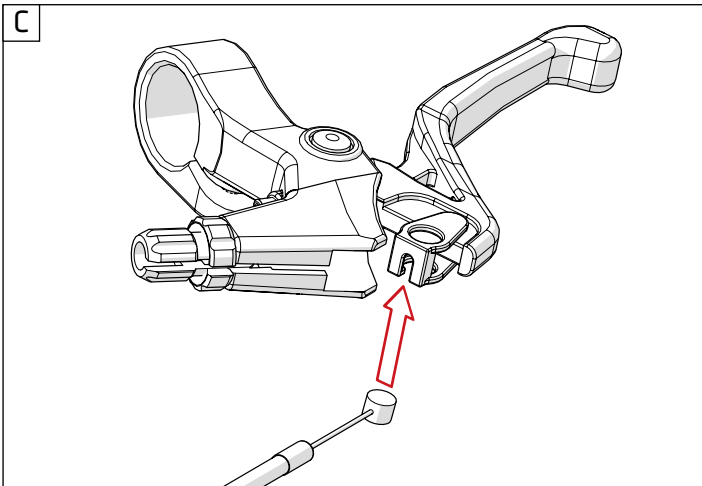
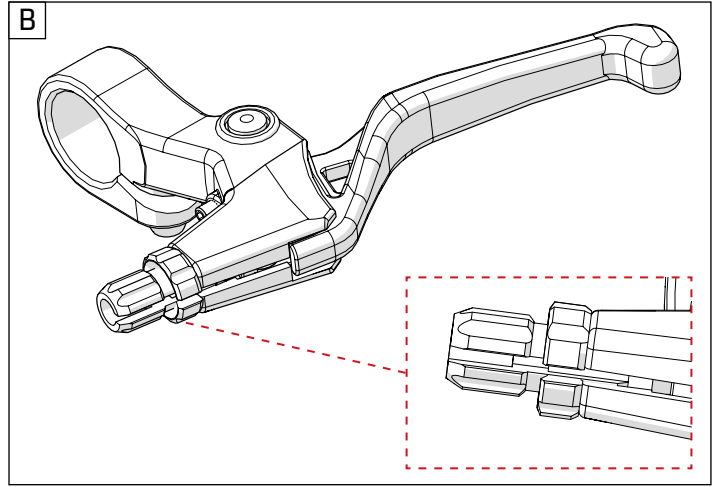
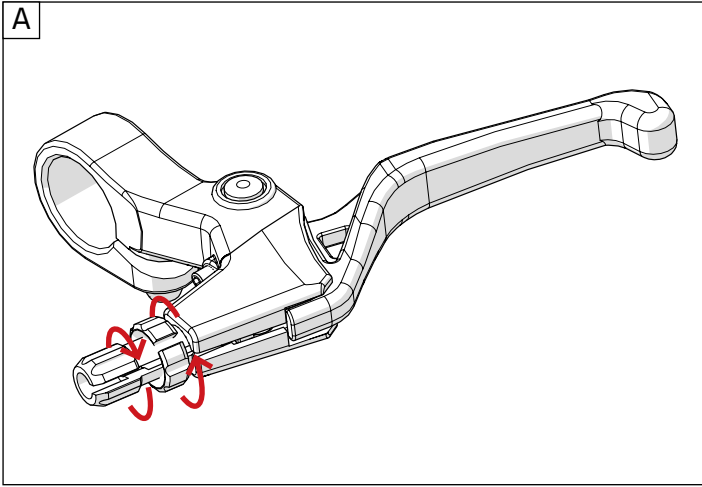


63

ride *BIKER*



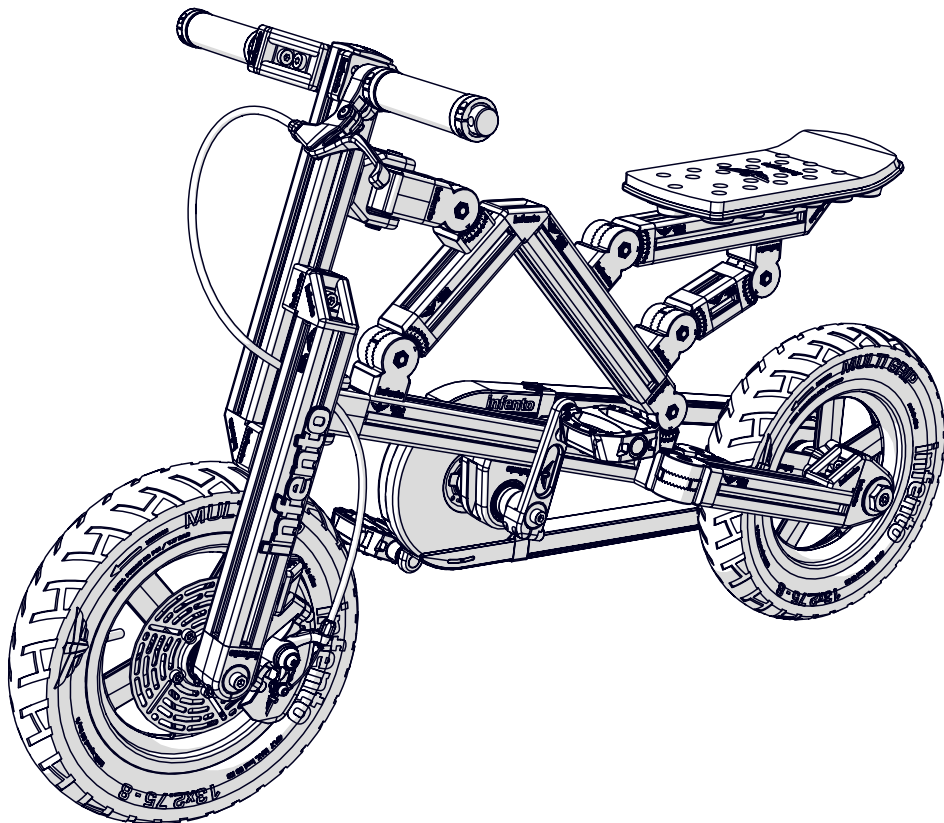
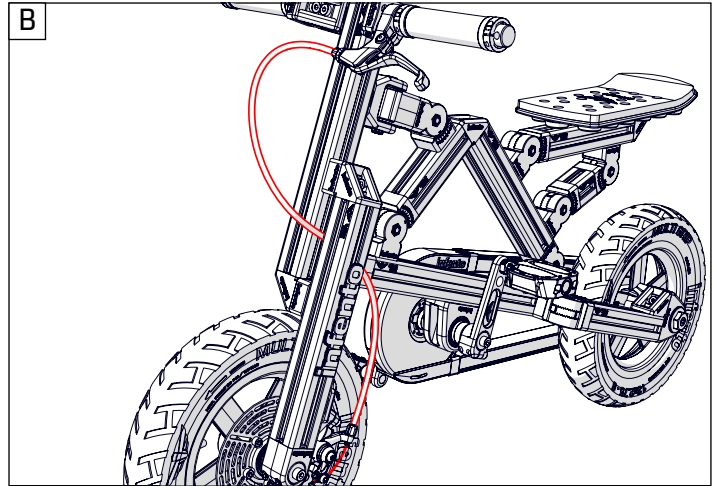
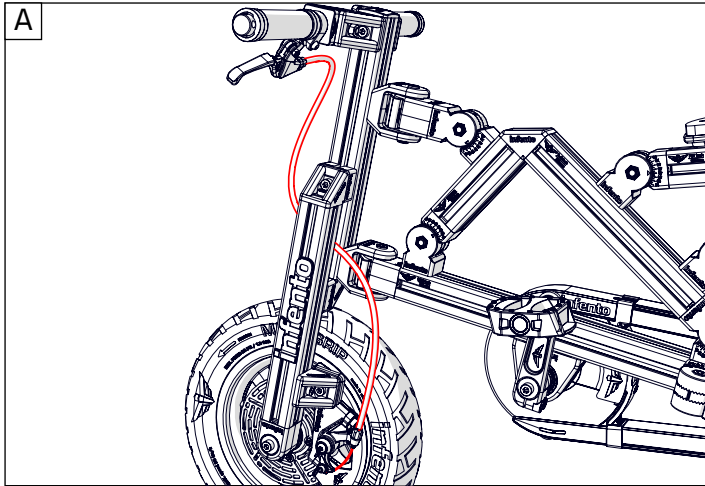
Brake cable 1x
27.56 in | 700 mm





64

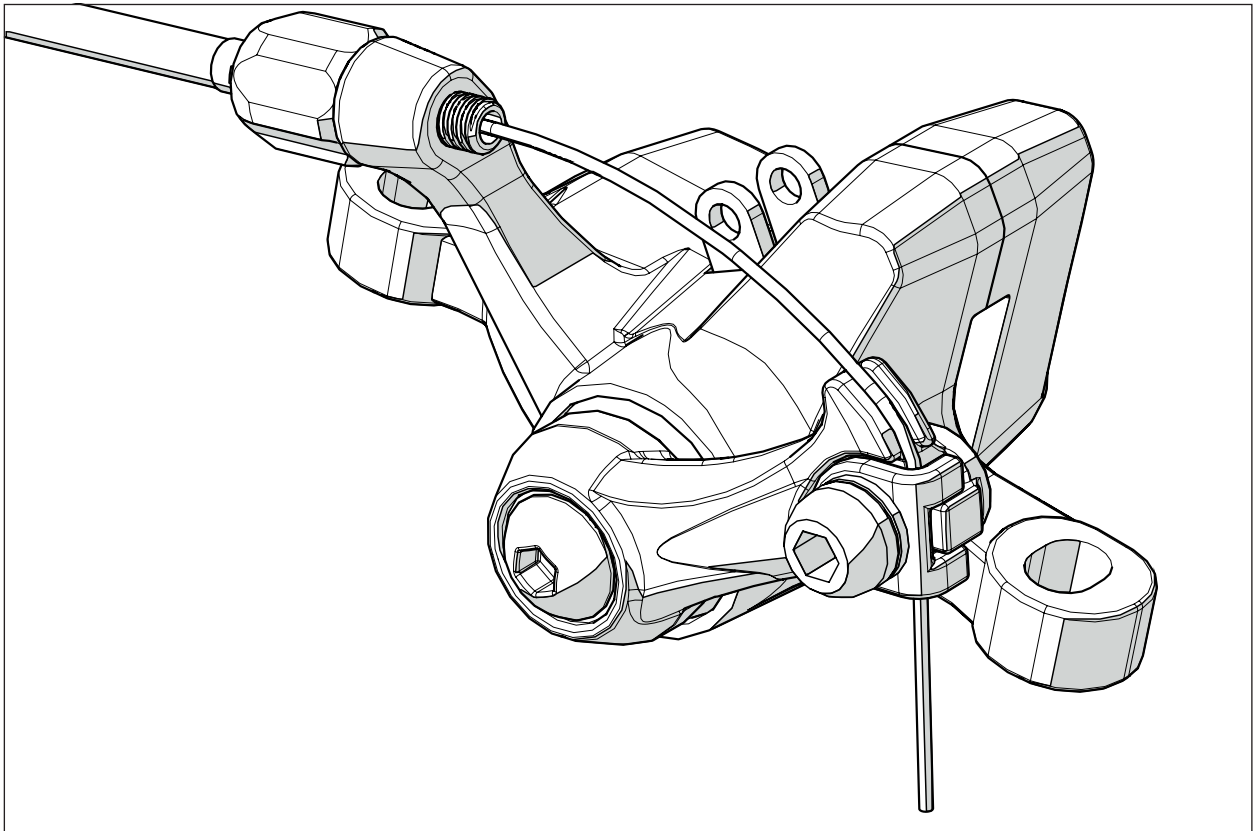
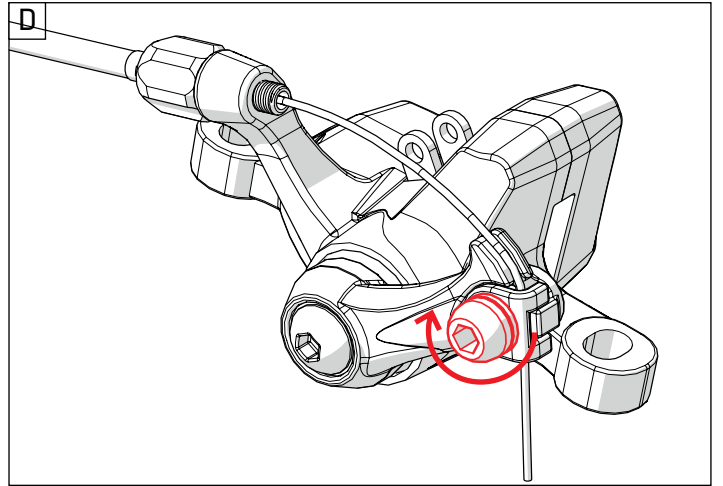
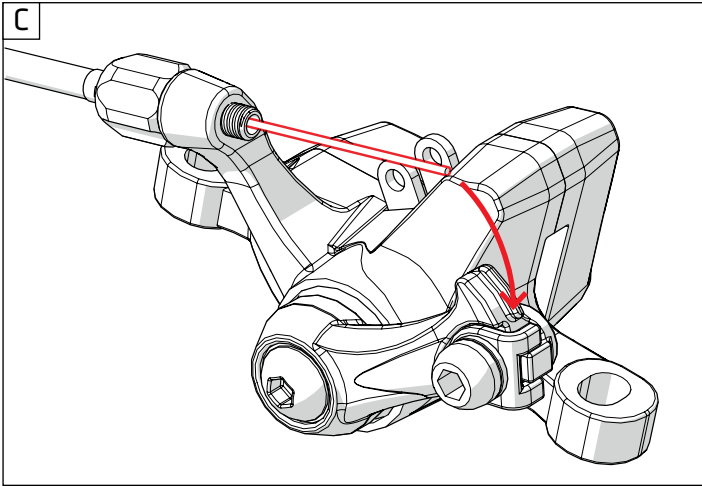
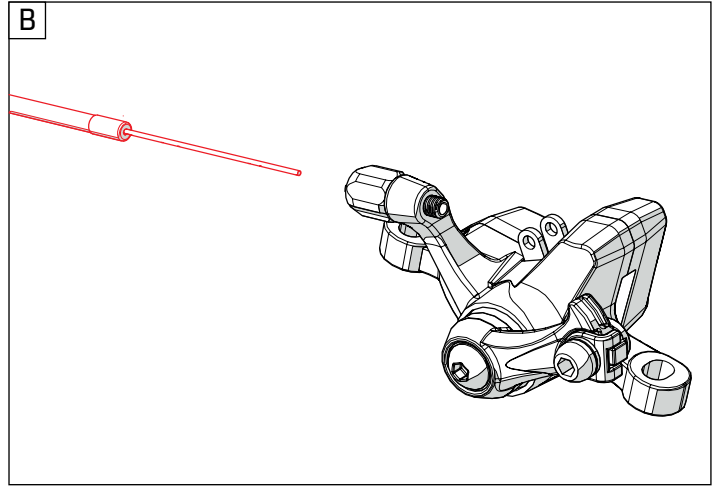
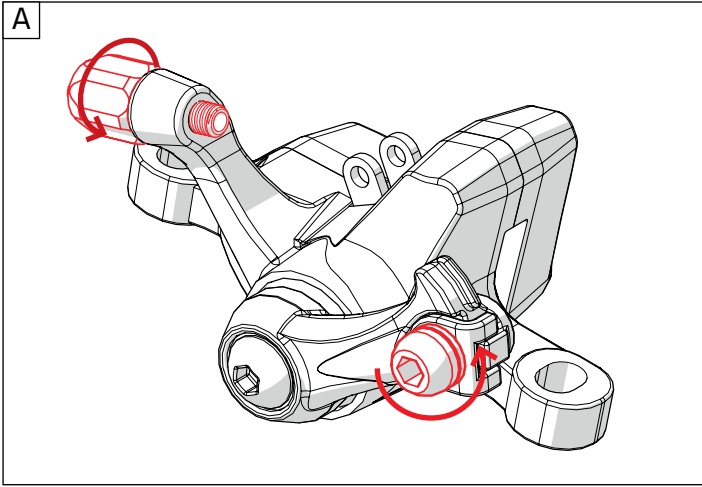
ride *BIKER*





65

ride *BIKER*



BIKER^{G3}



THANK YOU FOR READING ME!