

**2-5**  
YEARS

# **BOOSTER<sup>G1</sup>**

CONSTRUCTION MANUAL



<b>Length</b>	87 - 113 cm / 35 - 44 inch
<b>Max weight</b>	23 kg / 50 lbs
<b>Time to build</b>	3 hours



World's first real constructible rides



**WARNING - IMPORTANT NOTICE TO PARENTS**

Before you start constructing and use our product, please carefully read the following safety warning and download our manual from our website. This safety warning and manual contains important information relating to your child's safety. It is your responsibility to review this information with your child and make sure they are fully aware of all the warnings before they start riding. Failure to follow instructions and safety precautions can result in serious injury or death.

You can find a digital copy of the manual at the following web address:

**[www.infentorides.com](http://www.infentorides.com)**

**PLEASE PRINT OUT THE MANUAL** AND KEEP THE MANUAL AND THIS **SAFETY WARNING** IN A SAFE LOCATION FOR FUTURE REFERENCE.

# SAFETY SECTION



## **WARNING! PARENTAL SUPERVISION AND APPROPRIATE USE**

Like any moving product, rides made from Infento parts can be dangerous if due care and attention is not paid. To reduce the risk of serious injury: use only under close adult supervision. Parents must review the following warnings and instructions with each Infento ride that is being built. It is your responsibility to review this information and make sure that all riders understand all warnings, cautions, instructions and safety topics, and assure that young riders are able to safely and responsibly use this product. Infento recommends that you periodically review and reinforce the information in this manual with younger riders, and that you inspect and maintain your child's Infento rides to insure their safety.

## **WARNING! RIDING ON INFENTO RIDES CAN BE A DANGEROUS ACTIVITY**

Riding on Infento rides can be a dangerous activity. Certain conditions may cause the equipment to fail without fault of the manufacturer. Rides made from Infento parts can and are intended to move, and it is therefore possible to lose control, fall off and/or get into dangerous situations that no amount of care, instruction or expertise can eliminate. If such things occur you can be seriously injured or die, even when using safety equipment and other precautions. Ride at your own risk and use common sense.

## **WARNING! NO LIABILITY FOR CONSTRUCTED RIDES THAT DIFFER FROM OUR MANUALS**

The rides that you can find in our manuals have been tested by official independent testing agencies. We will not be responsible or liable, directly or indirectly, in any way for any loss or damage of any kind incurred as a result of your decision to build constructions or rides that differ from the official rides that we show in our manuals.

### ASSEMBLY – SUBSECTION

## **WARNING! OUR KITS CONTAIN SMALL PARTS**

This package contains small parts which, before assembly, present a choking hazard to children under the age of three. Care should be taken

during unpacking and assembly to insure that all small parts and plastic bags are accounted for and kept out of the reach of children.

## **WARNING! TO AVOID SERIOUS INJURY:**

1. Construction/assembly of a ride should always be under supervision of an adult using the Infento manual for the specific ride.
2. All fasteners (bolts and nuts) should be fully tightened.
3. It is the responsibility of the adult who assembles this bicycle to properly install all parts included in the factory sealed shipping carton and to make the adjustments to the functional parts such as handle bar and seat and chain when necessary.

### USE – SUBSECTION

## **WARNING! TO AVOID SERIOUS INJURY:**

1. Continuous adult supervision is required.
2. Only ride constructed rides that have been built according to the instructions given in the official Infento manual.
3. Never exceed the maximum weight. You can find the maximum weight for every specific ride in our manual.
4. Always check the manual to see the minimum and maximum age as well as the minimum and maximum length for every specific ride.
5. Always wear safety equipment such as a helmet, knee pads and elbow pads. We recommend riders always wear a properly fitted helmet that complies with local or national guidelines or laws. Keep chinstrap of helmet securely buckled.
6. Always wear closed toed shoes (lace-up shoes with rubber soles), never ride barefooted or in sandals, and keep shoe laces tied and out of the way of the wheels.
7. Avoid streets and surfaces with water, sand, gravel, dirt, leaves, and other debris. Wet weather impairs traction, braking and visibility.
8. Excessive exposure to sunlight, temperatures below 0 degrees Celsius, water, sand, gravel, dirt, leaves, and other debris can damage, shrink, expand or weaken parts. Keep your ride in a dry environment with proper heating.
9. Avoid sharp bumps, drainage grates and sudden surface changes. Your Infento ride may suddenly stop.
10. Ride on smooth, paved surfaces away from

motor vehicles. Wet, slick or uneven and rough surfaces may impair traction and contribute to possible accidents.

11. Never risk damaging surfaces, such as carpet or flooring, by use of an Infento ride indoors.
  12. Never use near motor vehicles, streets, roadways, alleys, swimming pool areas, hills, steps, sloped driveways, inclines and public highways.
  13. Watch out for pedestrians, skaters, skateboards, scooters, bikes, children or animals who may enter your path, and respect the rights and property of others.
  14. Avoid excessive speed associated with downhill rides.
  15. Do not use at night or in periods with reduced visibility.
  16. Before every use, please make sure that the complete ride and all joints have been assembled tightly, as with use, joints may wear out.
  17. Before using your Infento ride, please check that the screws are tightened securely.
  18. It's your own responsibility if you modify the product other than manufacturer's instructions.
  19. Maintain a hold on the handlebars at all times.
  20. Brake will get hot from continuous use. Do not touch after braking.
  21. Periodically check hardware and tighten if necessary. Replace worn or broken parts immediately.
  22. Skill is required to avoid falls or collision causing injury to the user and third parties.
  23. Check operation of breaks every time before bicycle is ridden.
  24. Check local laws before you start with riding.
  25. Never tow wagons, other vehicles, or children on skates or skateboards.
  26. Make certain that anyone who uses an Infento ride has been fully instructed in its operation.
  27. Instruct your child on how to use the breaks.
  28. Do not perform stunts.
  29. Never use headphones or a cell phone when riding.
  30. Only one rider at a time on an Infento ride.
  31. Do not allow children to stand on the product at any time.
- FAILURE TO USE COMMON SENSE AND HEED THE ABOVE WARNINGS INCREASES RISK OF SERIOUS INJURY. USE WITH APPROPRIATE CAUTION AND SERIOUS ATTENTION TO SAFE OPERATION.**

# SAFETY SECTION



## OUR KITS CONTAIN SMALL PARTS

This package contains small parts which, before assembly, present a choking hazard to children under the age of three. Care should be taken during unpacking and assembly to insure that all small parts and plastic bags are accounted for and kept out of the reach of children.

## QUESTIONS OR SUPPORT NEEDED?

You can mail us all your questions at:  
**[support@infentorides.com](mailto:support@infentorides.com)**  
and our team will reply you as soon as possible.



## MAINTENANCE | INSTRUCTION



1. Oil or grease moving parts periodically.
2. Check nuts and bolts often and tighten if necessary.
3. Any parts showing evidence or wear should be replaced immediately.
4. Follow closely the assembly instructions pertaining to the proper adjustments of parts
5. Periodically check the brake system for proper function
6. Periodically check the steering mechanism for proper function
7. Check the air pressure in the tires to be the amount specified in the manual
8. Periodically check the bicycle's tooth belt to be sure that it is not too loose which could allow the chain to slip off the sprockets.

## RECOMMENDED TOOLS



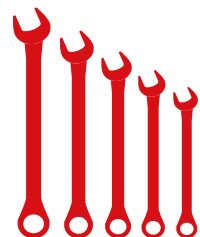
**4 x Allen key**  
3, 4, 5, 6 mm



**1 x Tapeline**



**1 x T-handle**  
for Allen key



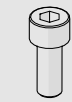
**5 x Wrench**  
10, 13, 14, 15, 19 mm



1

ride BOOSTER

First, get all required materials stated here and then follow the instructions.



Bolt M8x20 1x



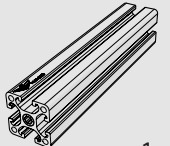
T-Positioning block 2x



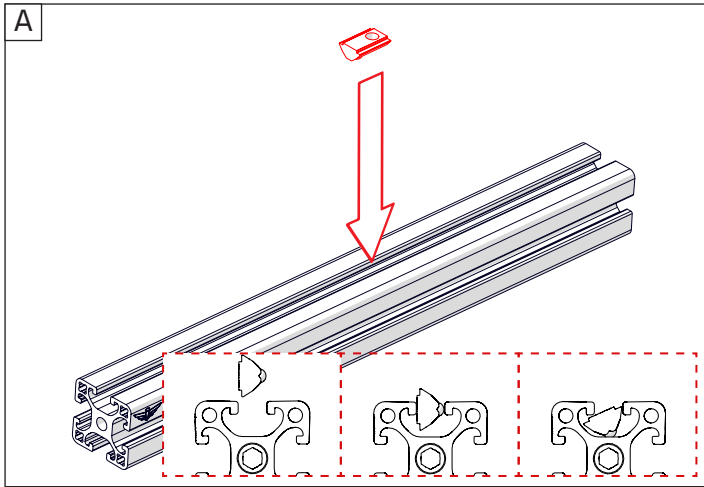
Profile nut short 1x



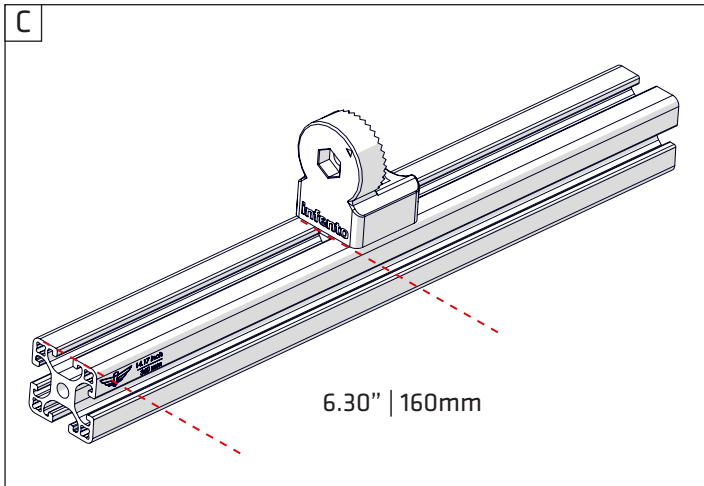
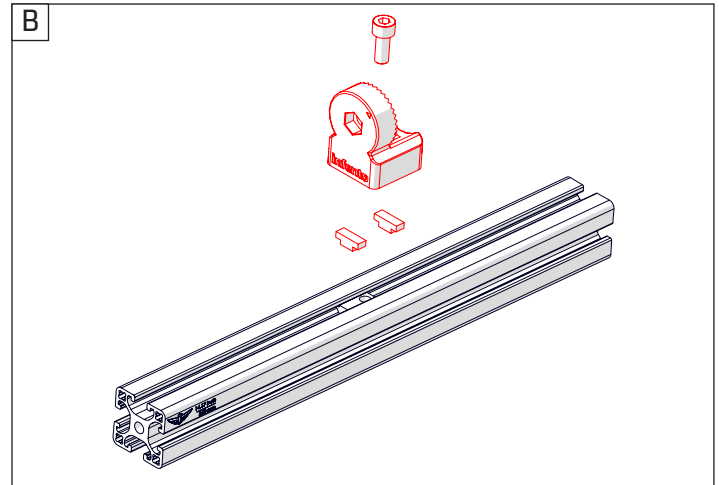
Multi angle joint 1x



Profile 14.17inch | 360mm 1x

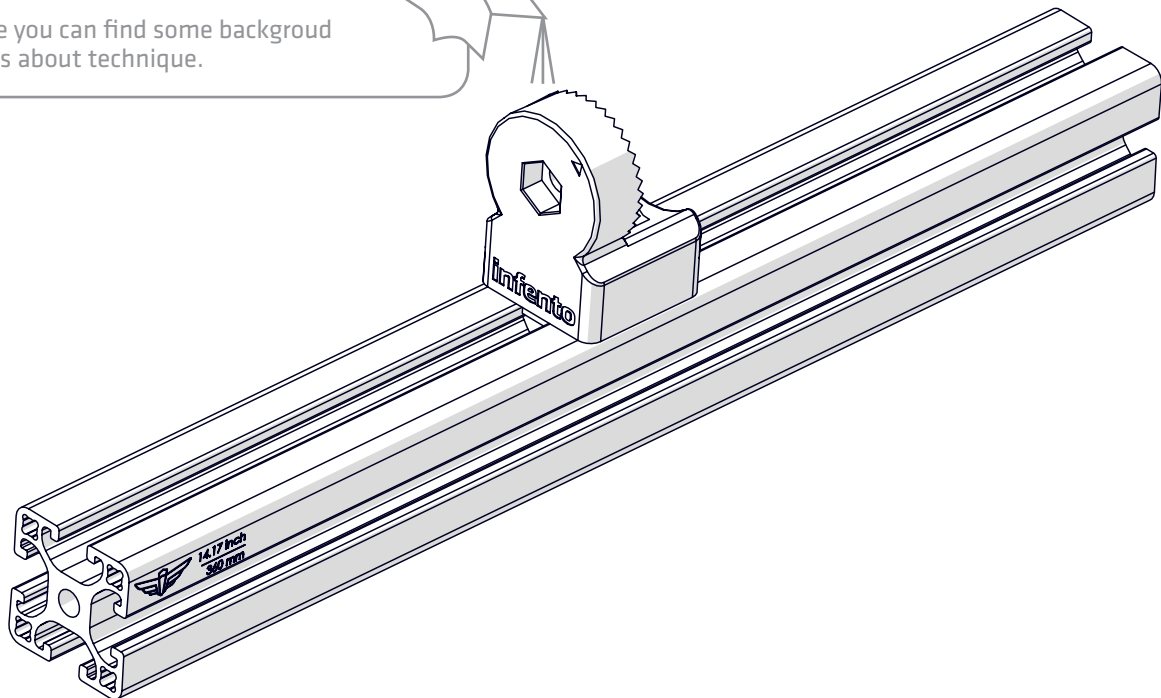


Tighten the bolts with full force. Ensure that you hold the long side of the Allen key in your hand as this enables you to exert greater force.



When tightening the bolt always check whether the profile nut remains perfectly straight in the slot. If this becomes crooked, you can push against the side of the profile bolt with the Allen key to correct this.

Here you can find some background facts about technique.

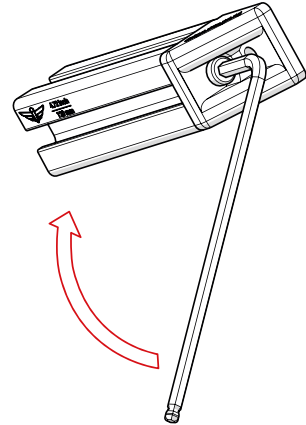


# TOP 3 REQUIREMENTS MAKING A GREAT INFENTO EXPERIENCE:



1

**Tighten bolts with full force (15Nm) to prevent them from coming loose.**



2

**Constructing and playing always under supervision of an adult.**



3

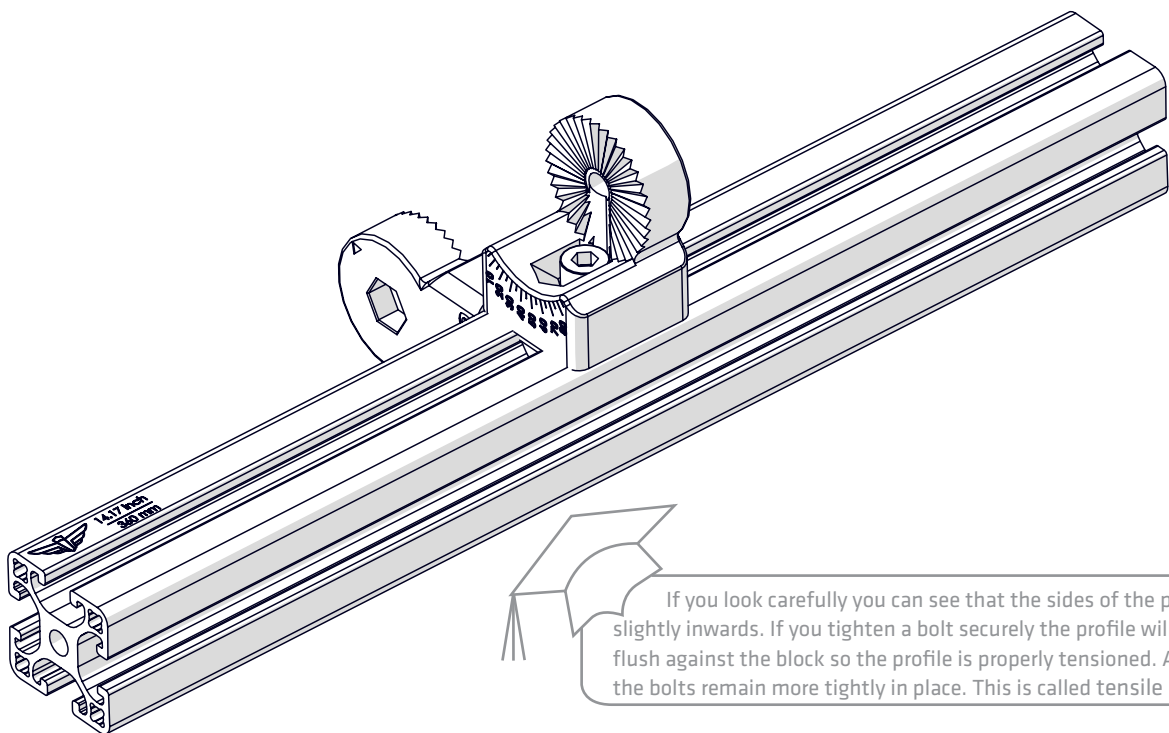
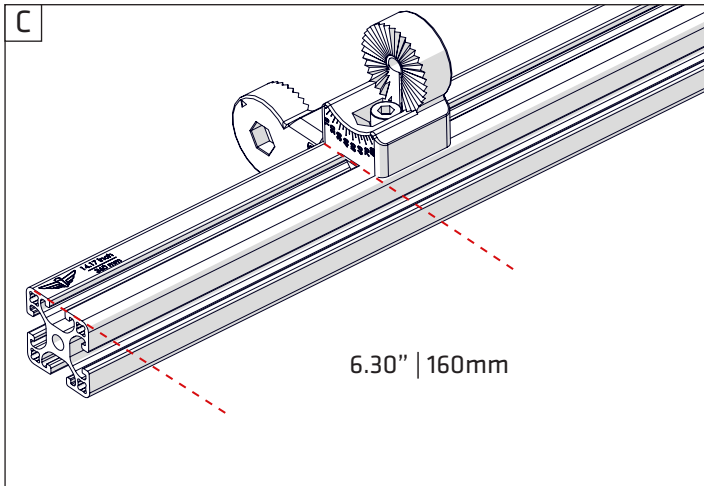
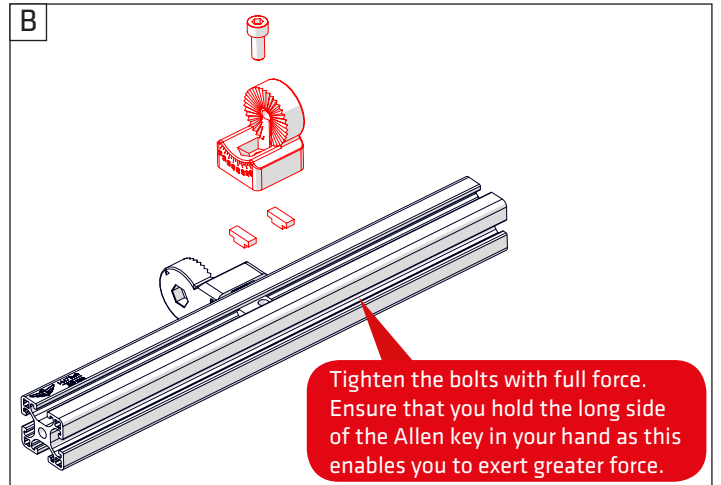
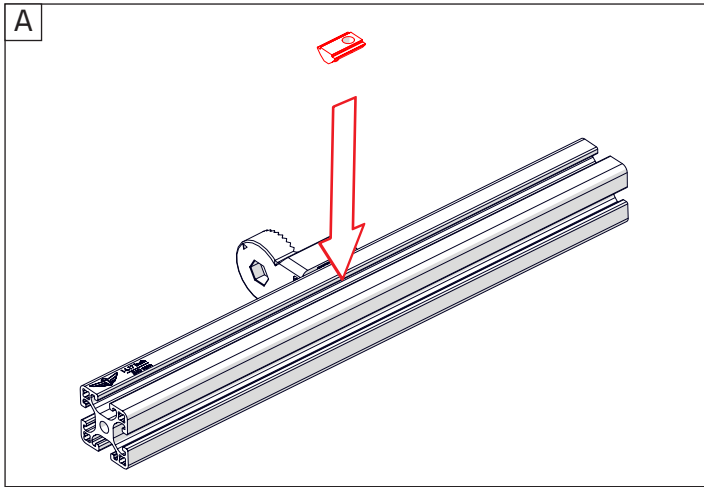
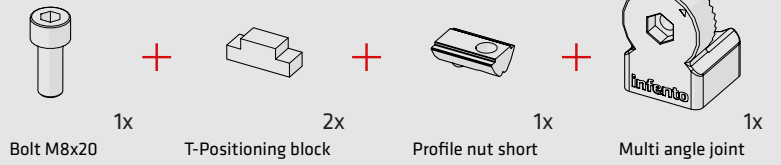
**Check frequently if all parts are still firmly tightened and function properly.**





2

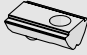



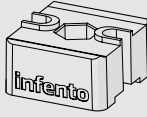

ride **BOOSTER**

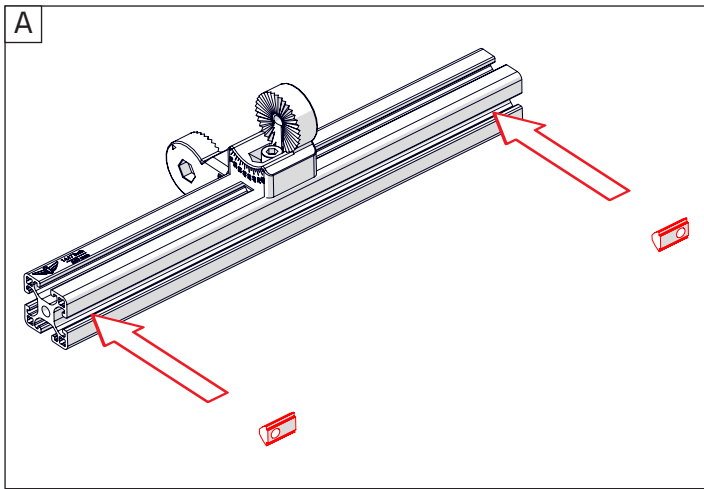




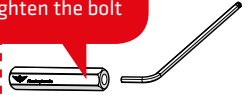
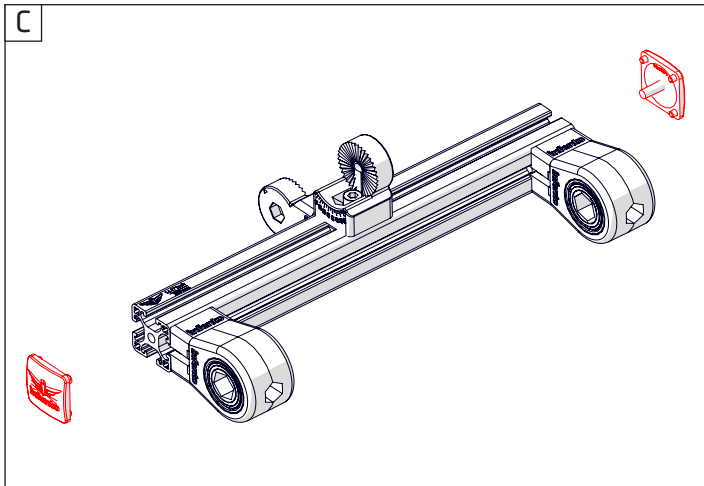
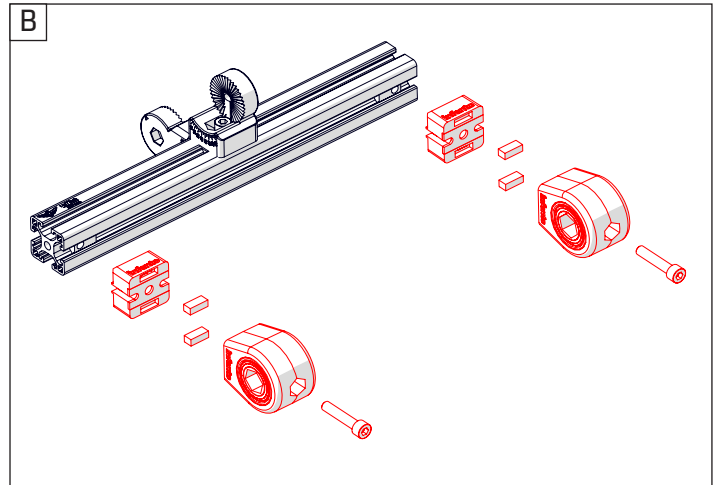
3

ride BOOSTER

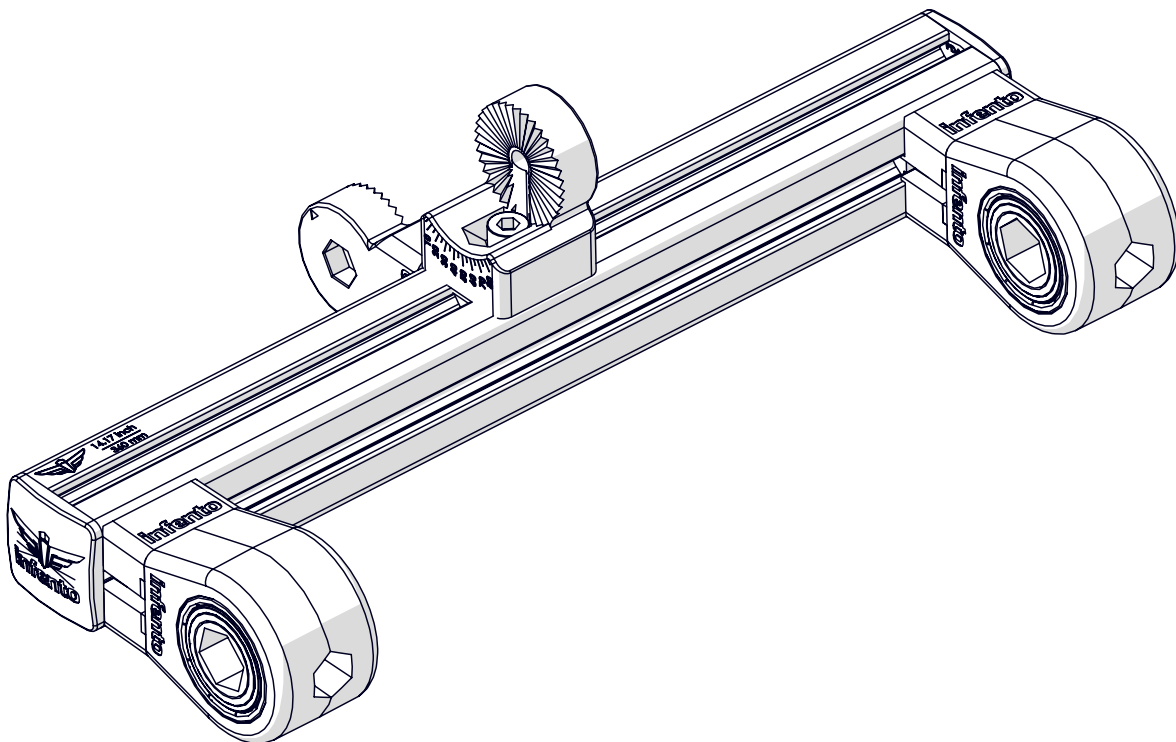
-   
 Profile nut short 2x
-   
 Positioning block 4x
-   
 Bolt M8x40 2x
-   
 Protect cap 2x
-   
 T-joint 2x
-   
 Bearing block 40x40\_Hexa 19 2x



Use the Allen key handle so you can tighten the bolt well.

All Infento block bearings have two bearings with a spacer in between. This ensures that you can e.g. put a bolt or a washer tightly against the block bearing without it breaking. A bearing cannot withstand lateral pressure very well; this is because a bearing consists of two washers with small balls locked in between.

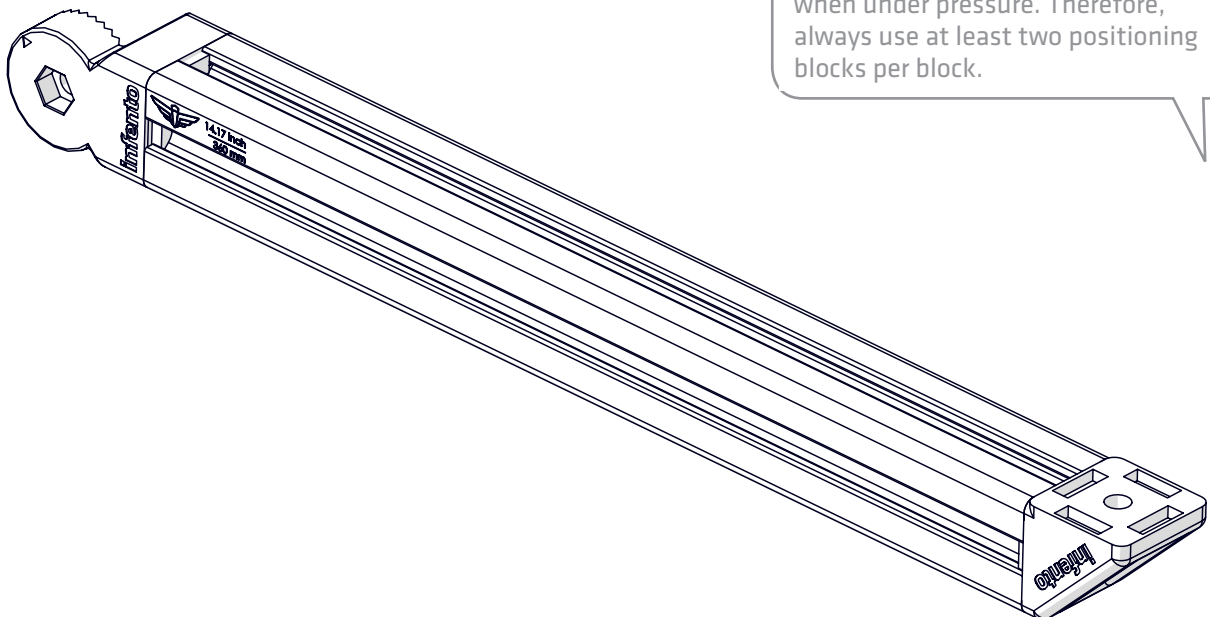
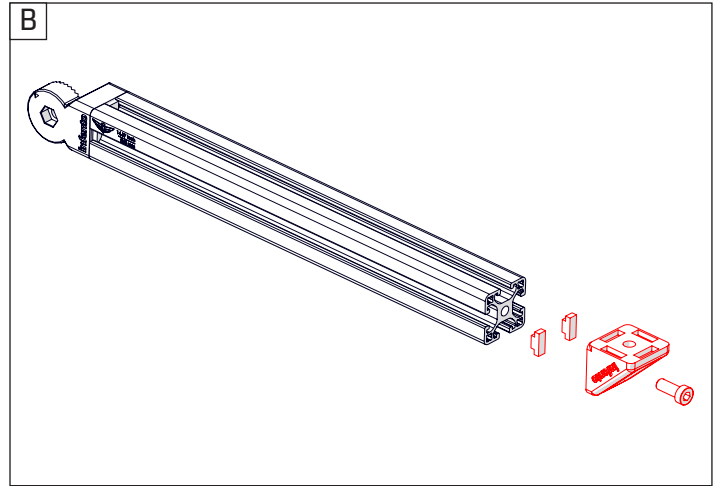
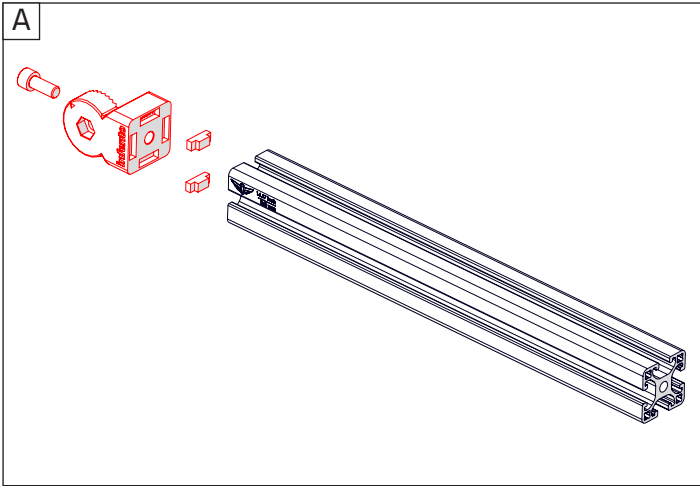
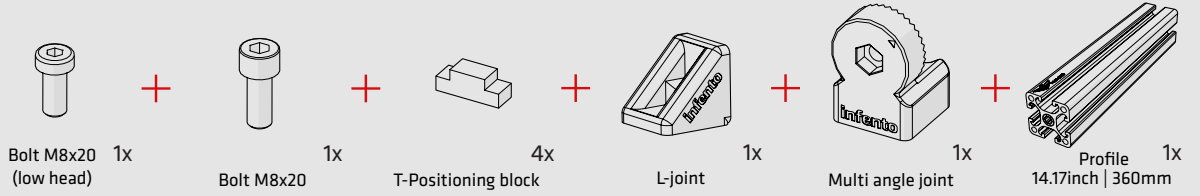






# 4

ride **BOOSTER**



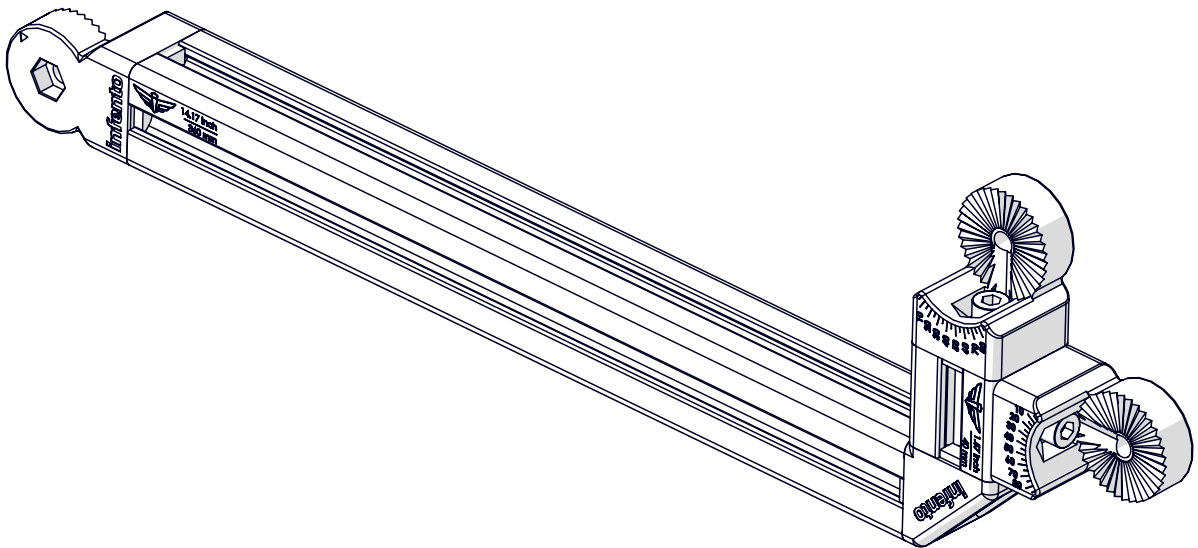
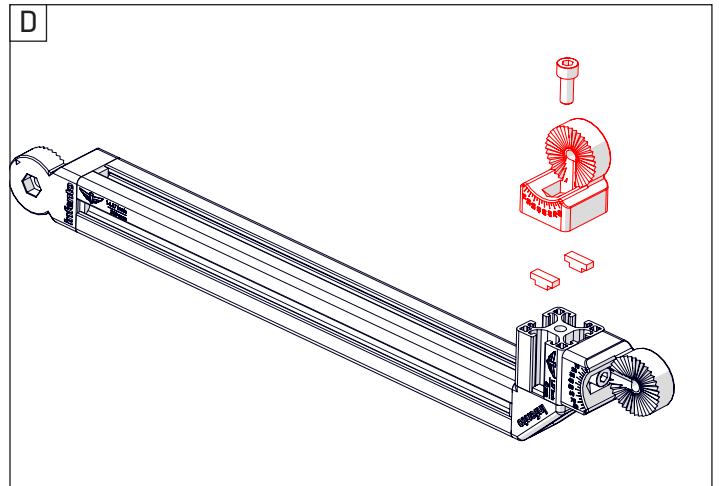
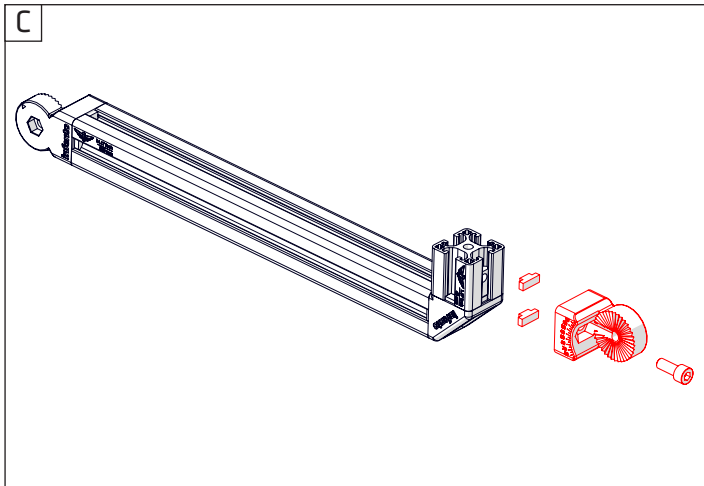
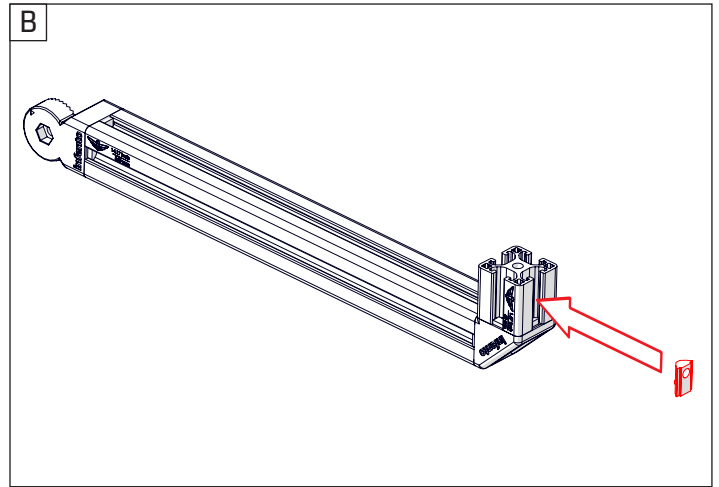
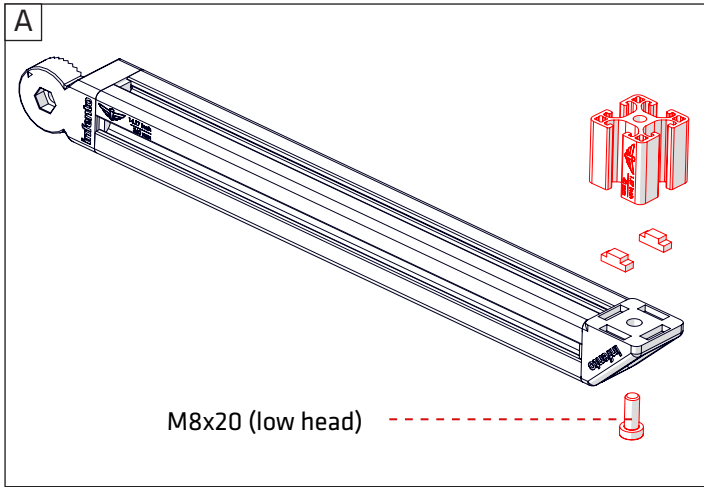
The positioning blocks are some of the smallest Infento parts but they are also some of the most important. They ensure that everything connects to each other properly. This prevents parts from twisting and coming loose when under pressure. Therefore, always use at least two positioning blocks per block.



5

ride **BOOSTER**

- Bolt M8x20 (low head) 1x
- T-Positioning block 6x
- Profile nut short 1x
- Bolt M8x20 2x
- Multi angle joint 2x
- Profile 1.57inch | 40mm 1x





6

ride **BOOSTER**



1x

Bolt M8x35

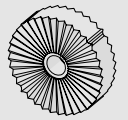
+



1x

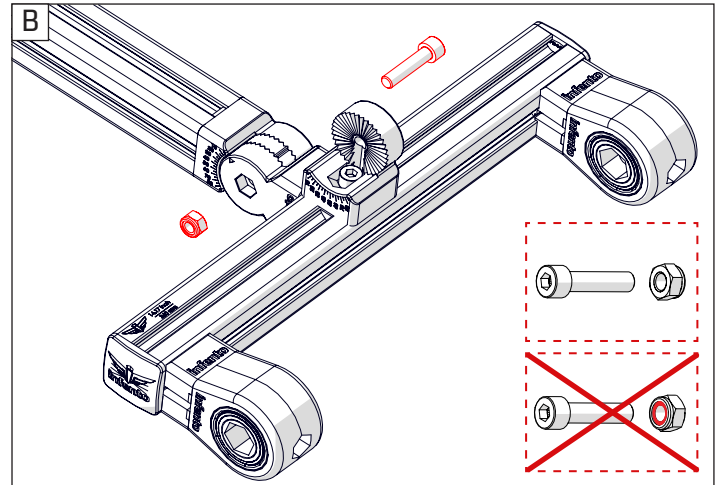
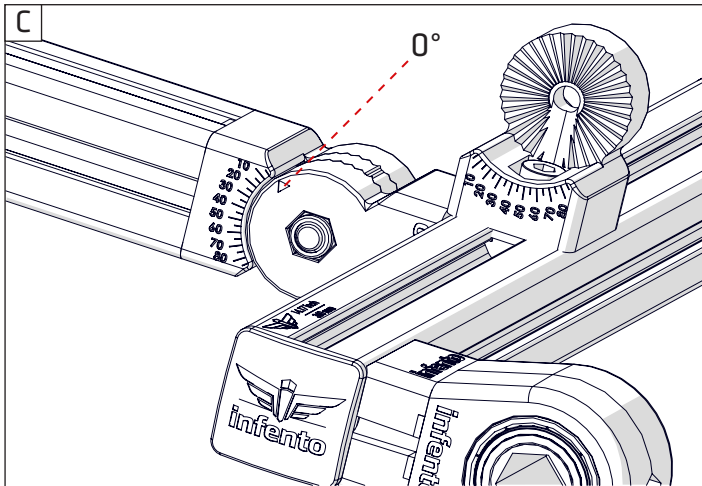
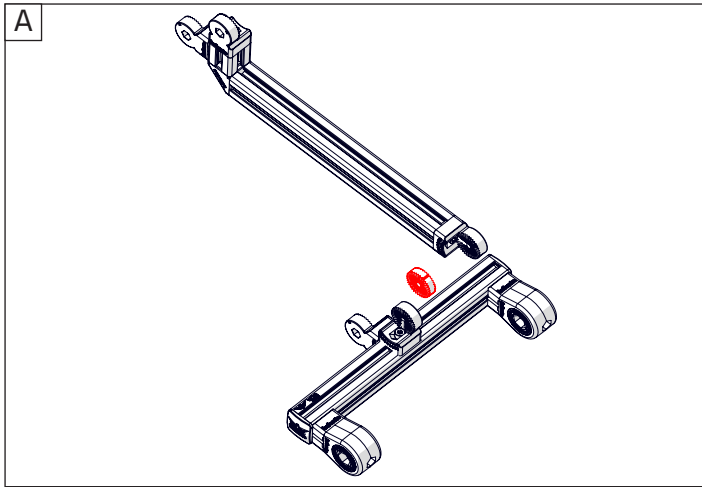
Locknut M8

+

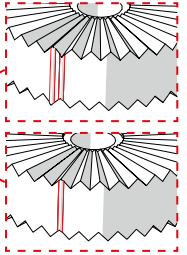


1x

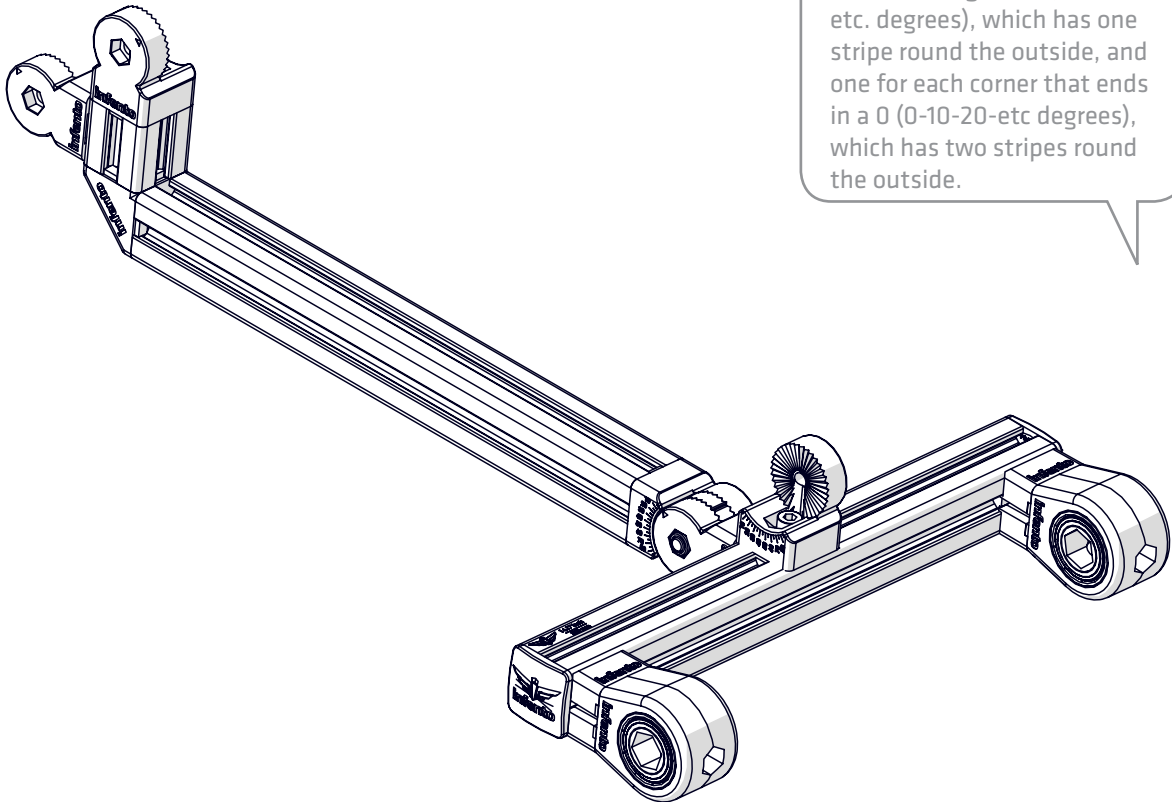
Knurled disc 2 stripes



There are two types of knurled discs. Please see education section.



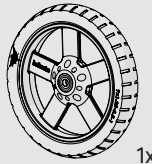
There are two different knurled discs. One for each corner ending in a 5 (5-15-25-etc. degrees), which has one stripe round the outside, and one for each corner that ends in a 0 (0-10-20-etc degrees), which has two stripes round the outside.



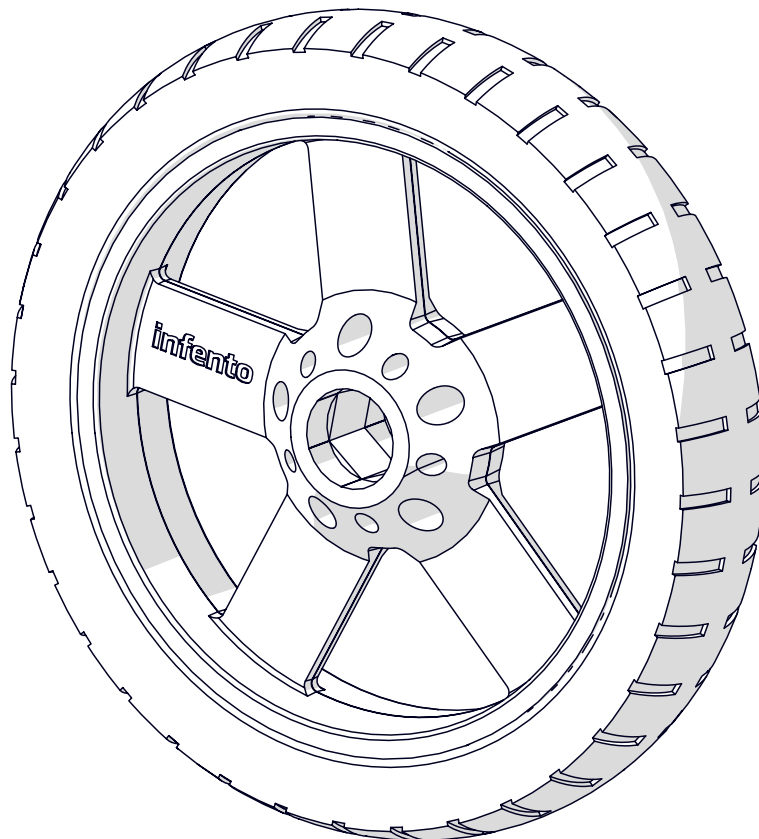
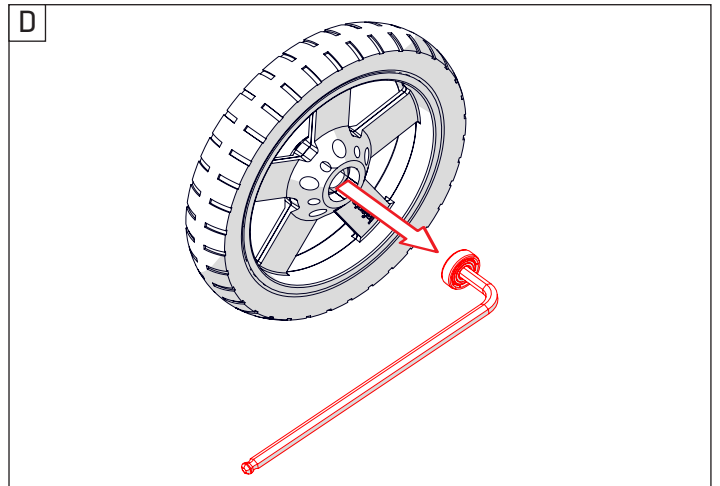
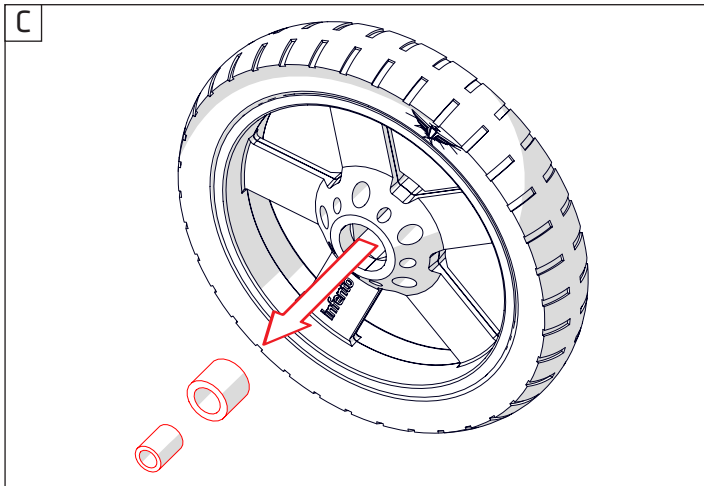
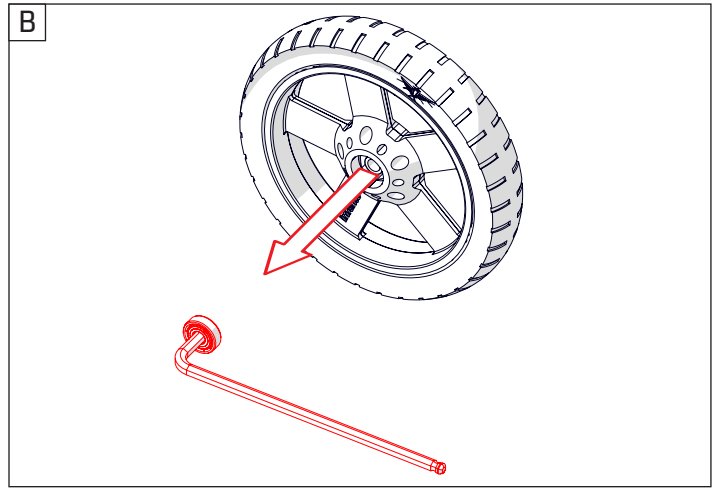
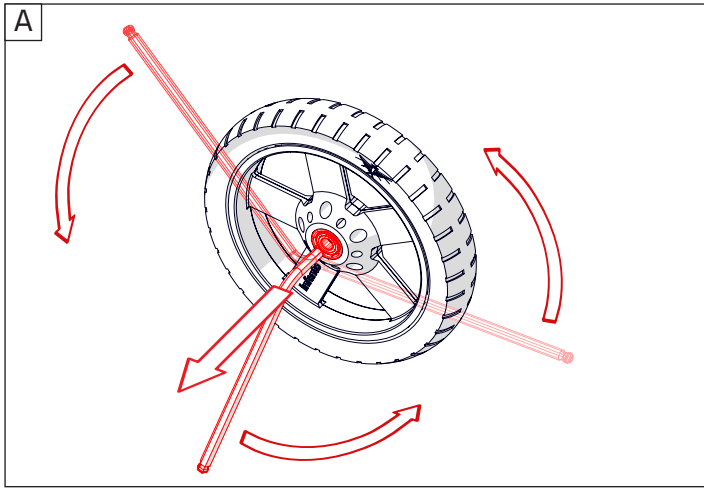


7

ride **BOOSTER**



7 inch wheel 1x





8

ride **BOOSTER**

Spacer 1x  
0.2inch | 5 mm



Spacer 2x  
0.39inch | 10mm



Bolt M8x20  
1x



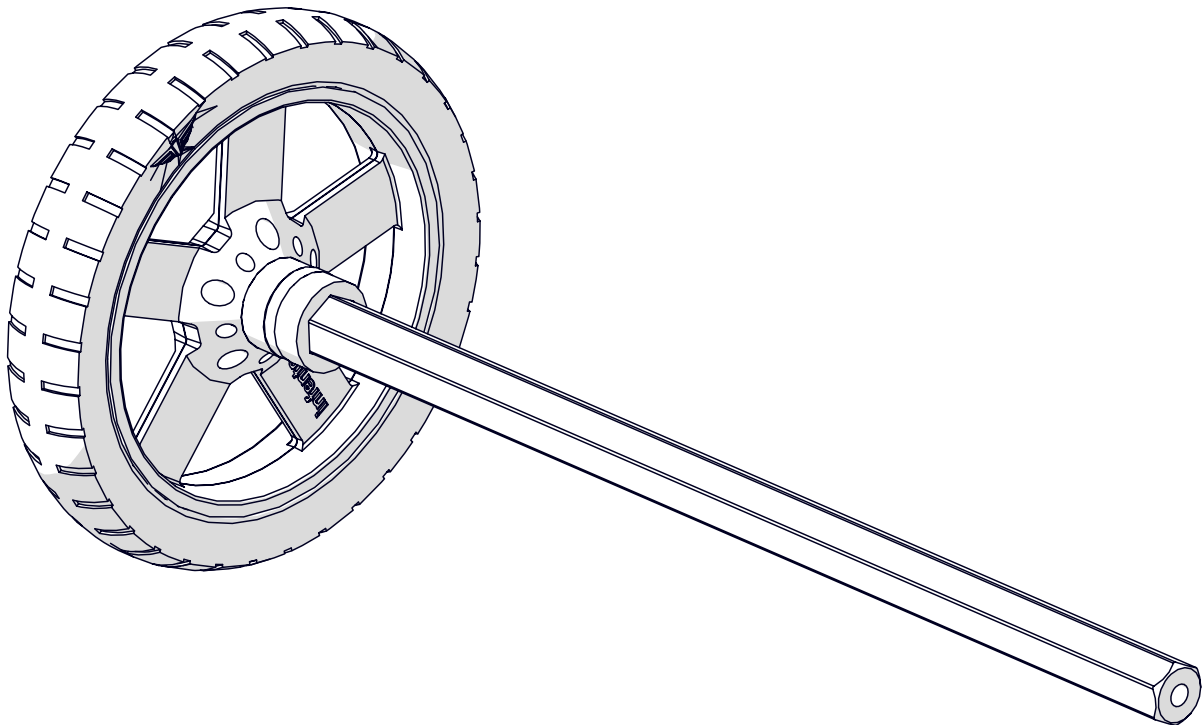
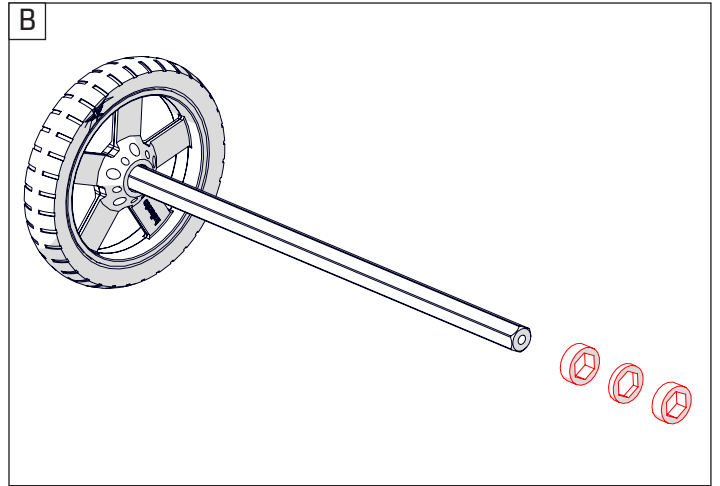
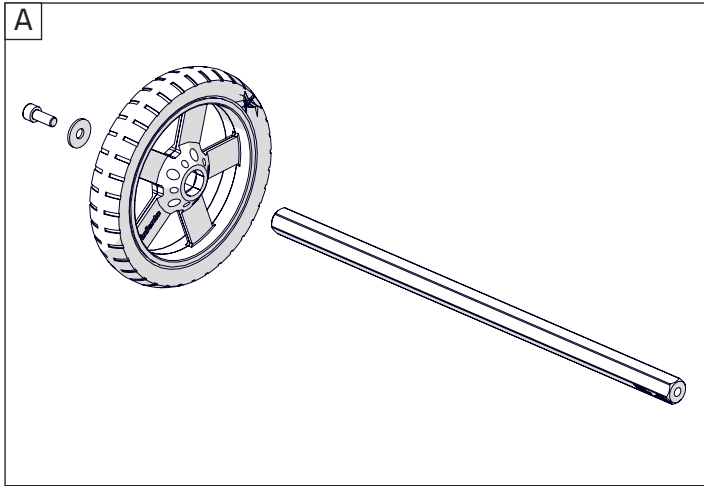
Washer M8-24  
1x



Axle 1x  
17.32inch | 440mm



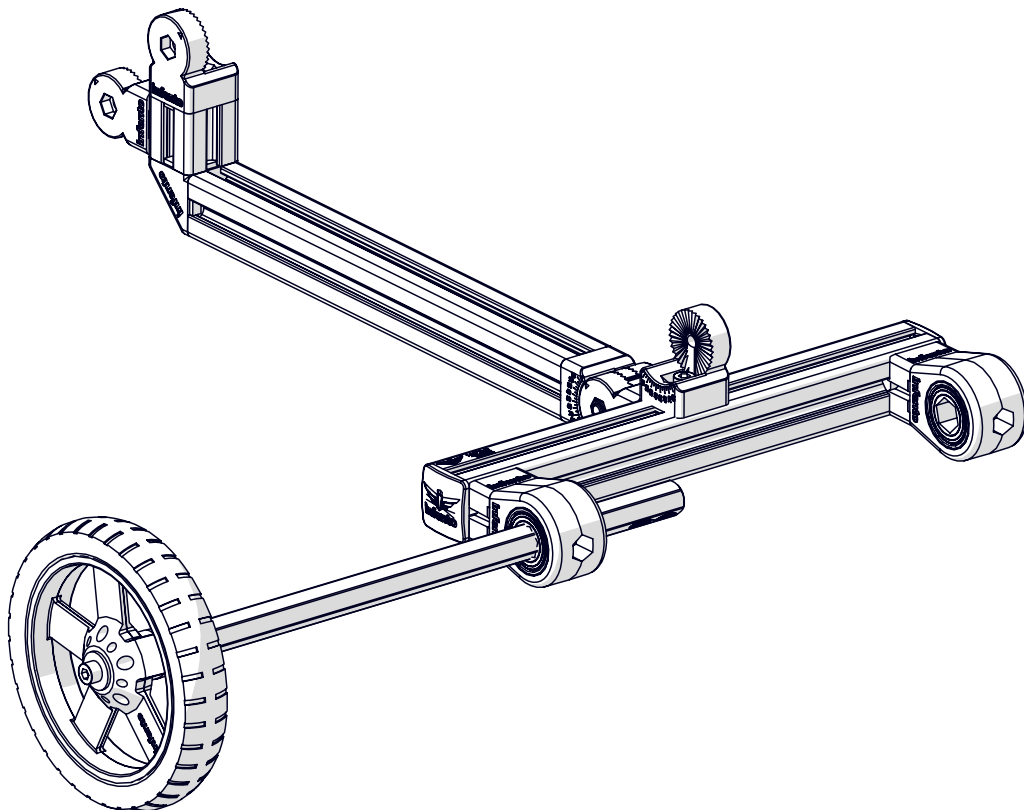
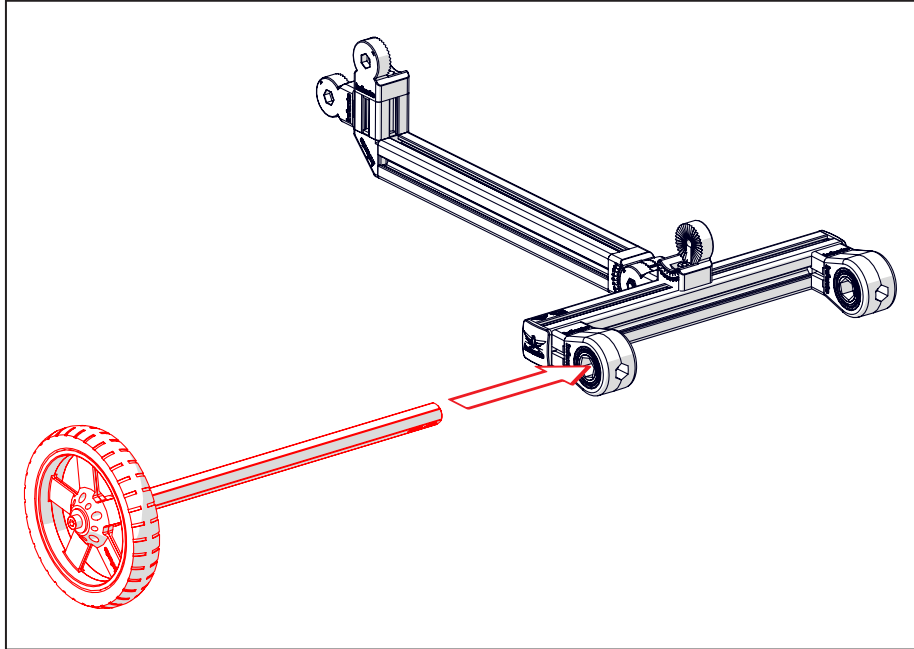
7 inch wheel 1x  
without bearings





9



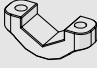

ride **BOOSTER**

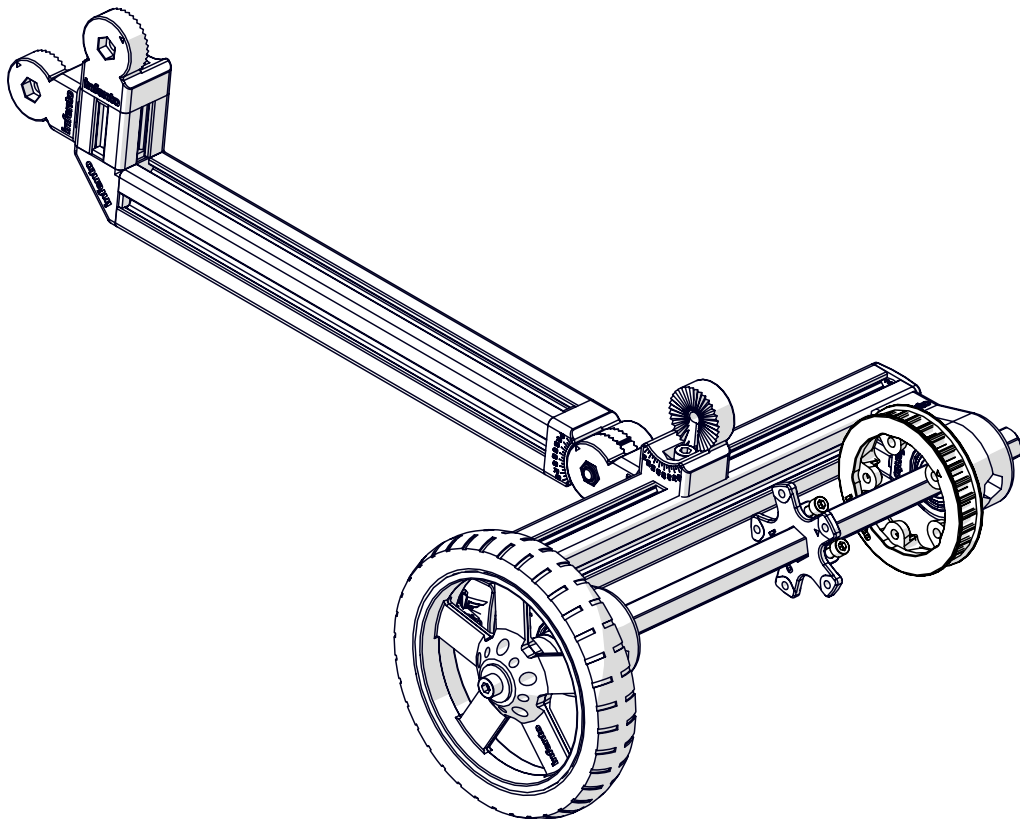
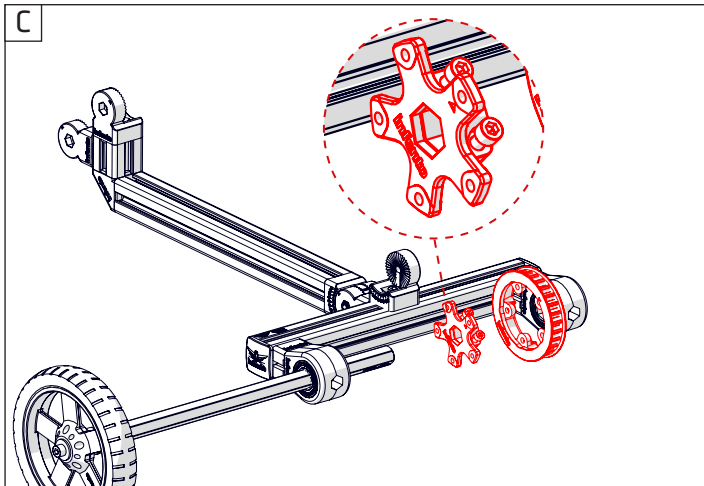
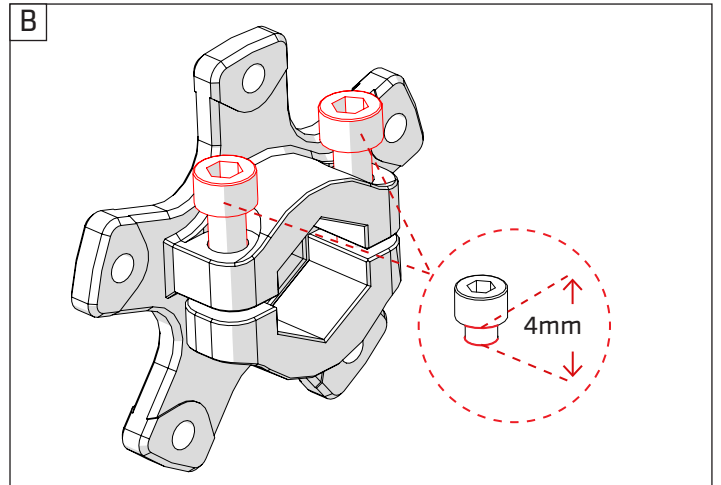
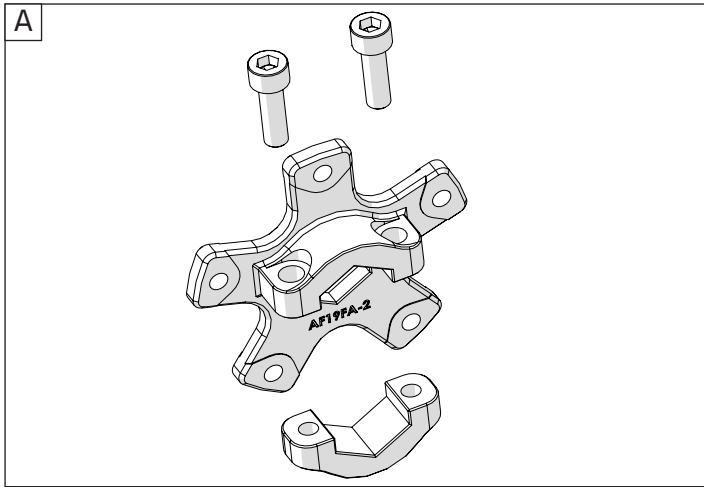




10

ride **BOOSTER**

-  1x
-  2x
-  1x
-  1x





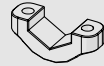
# 11

ride **BOOSTER**

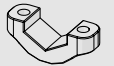


2x

Bolt M6x16



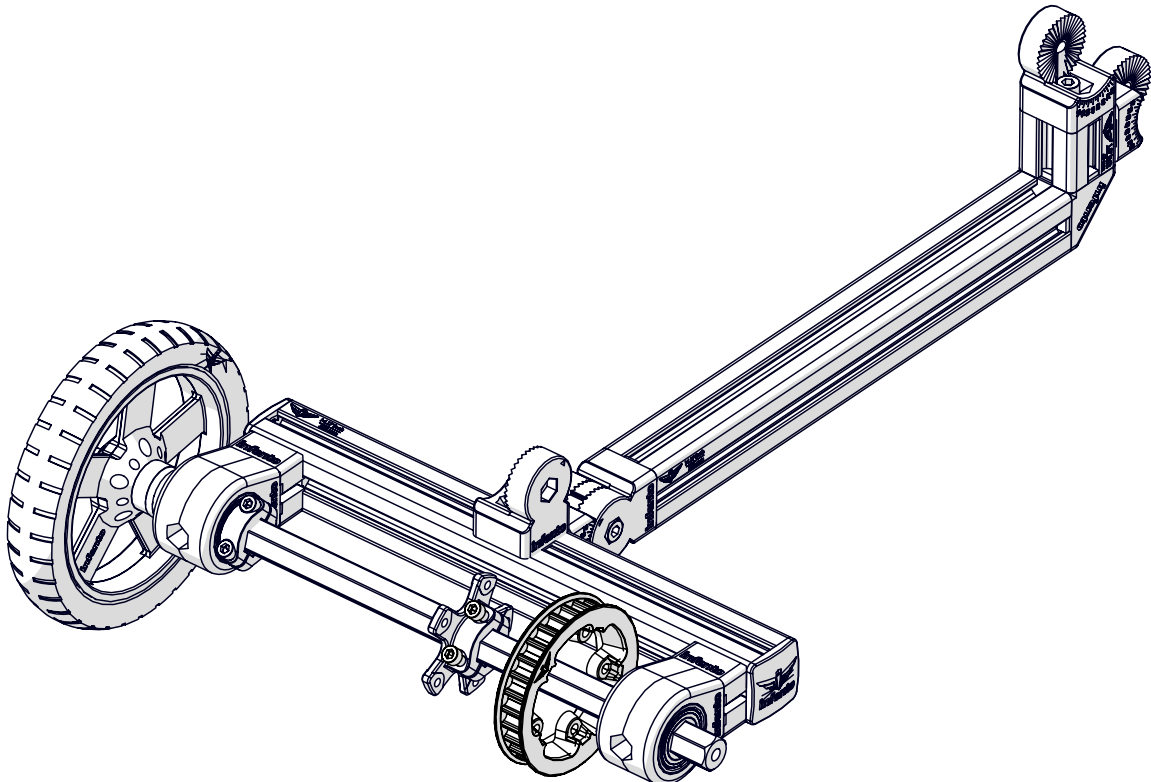
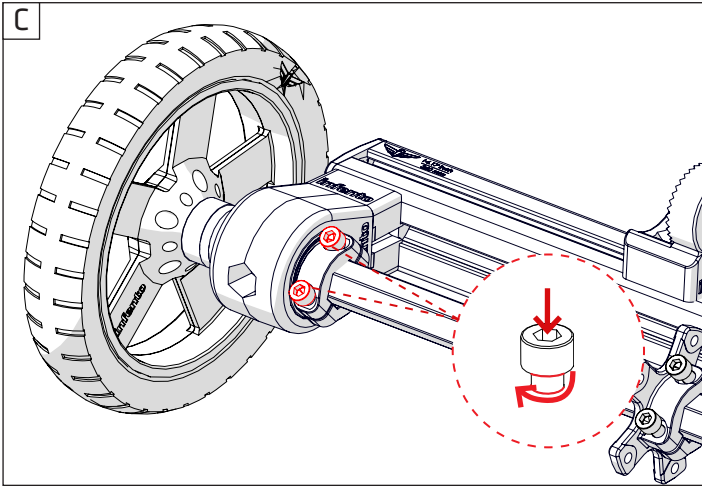
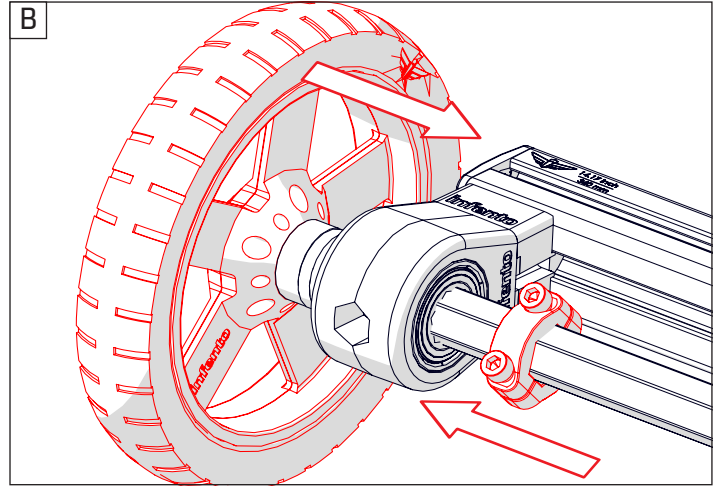
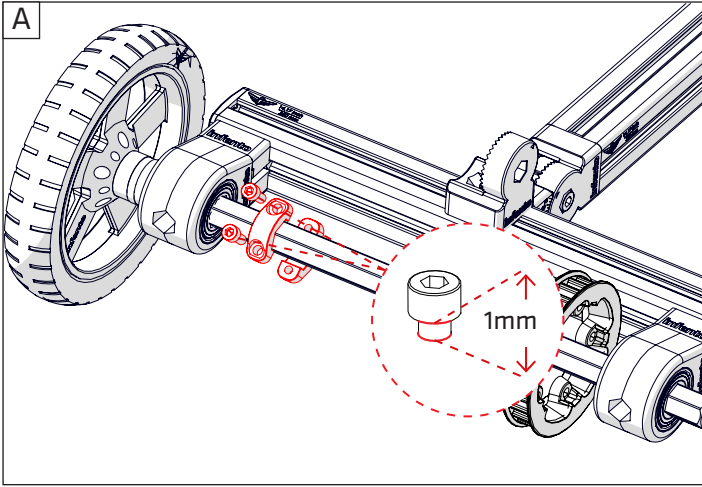
Clamping part  
holes with M6 thread



1x

Clamping part  
holes without thread

1x



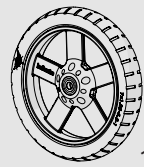



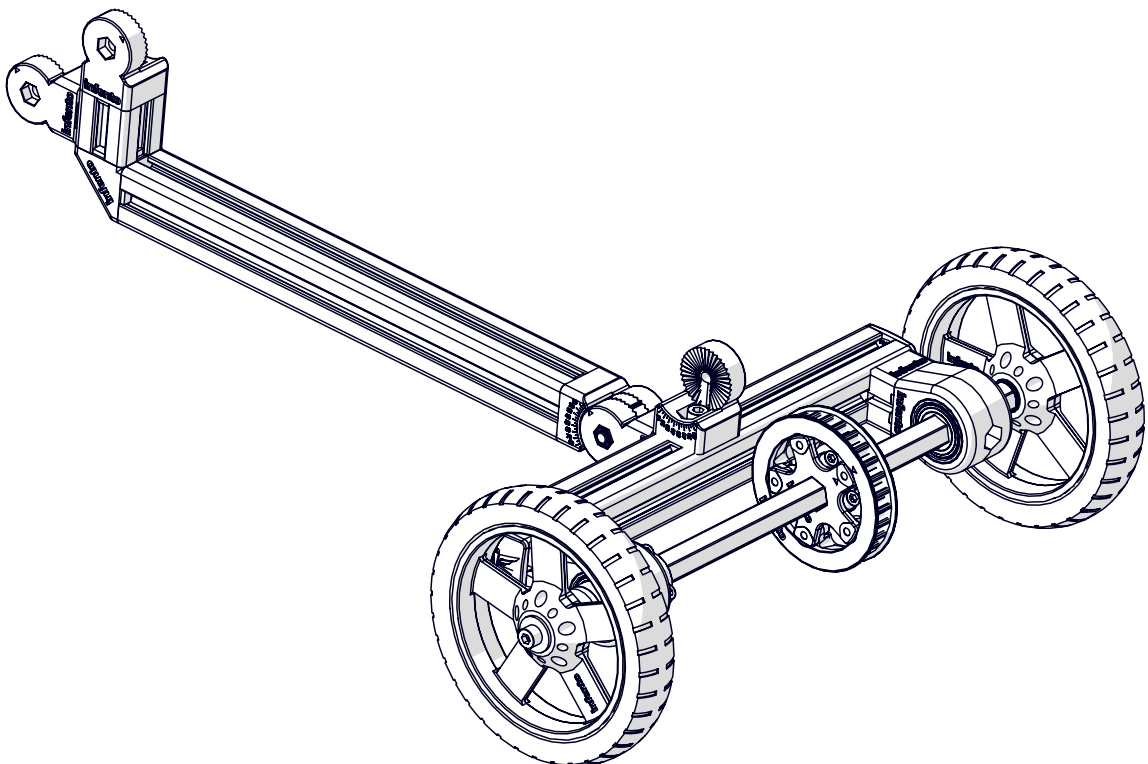
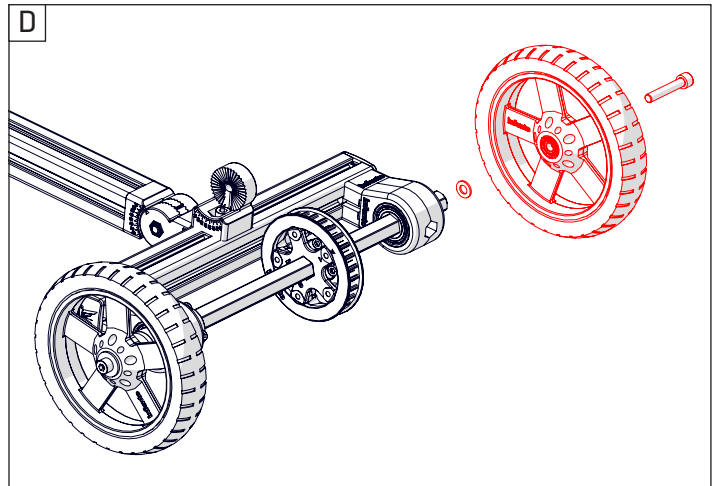
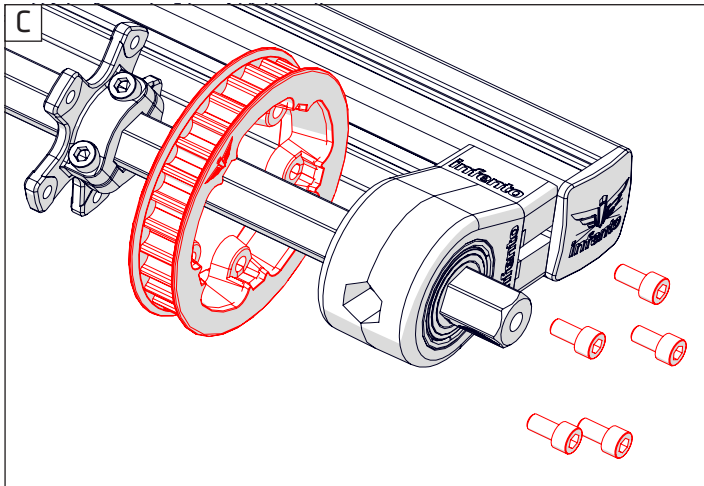
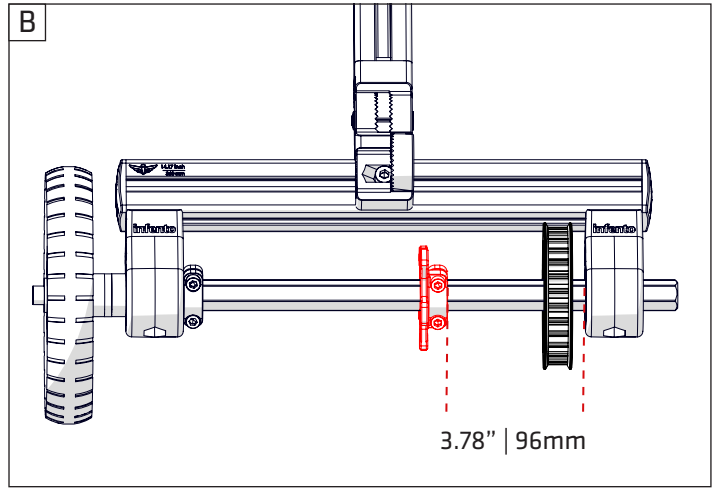
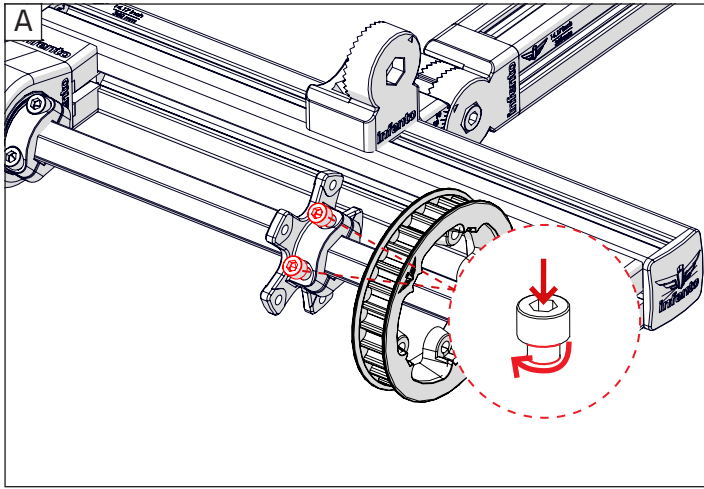




# 12

ride **BOOSTER**

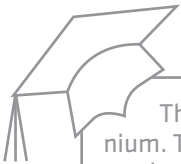
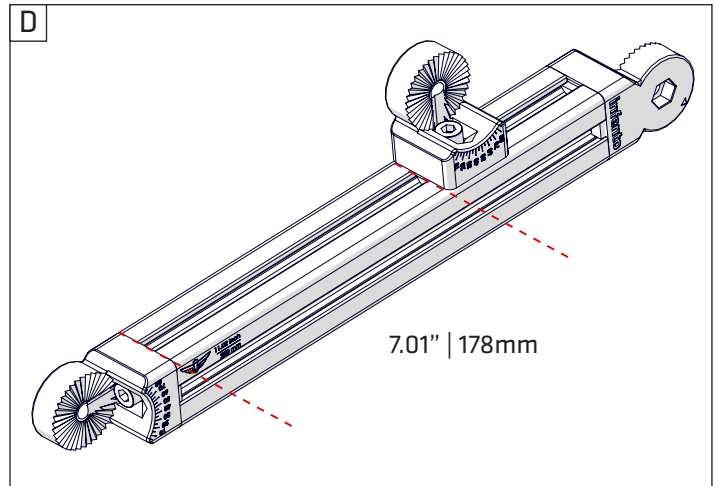
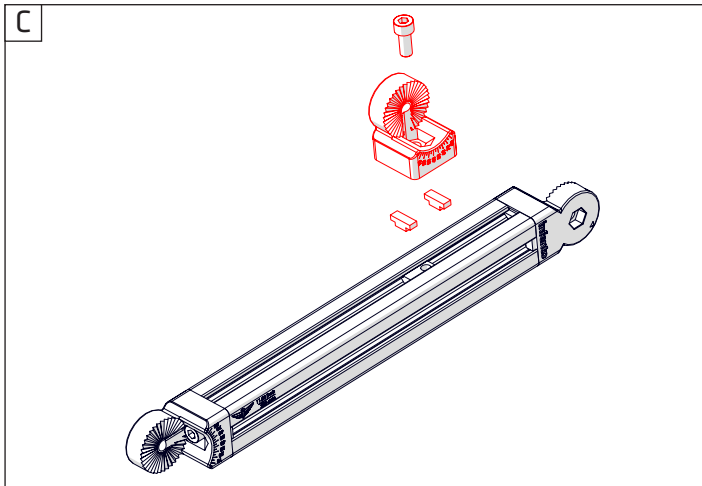
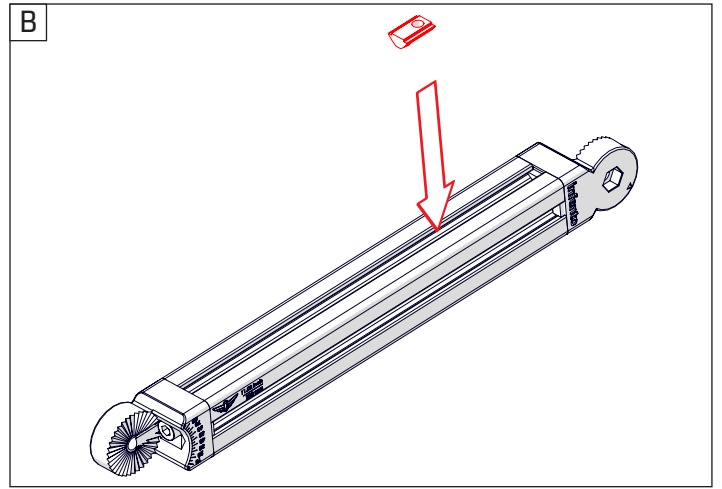
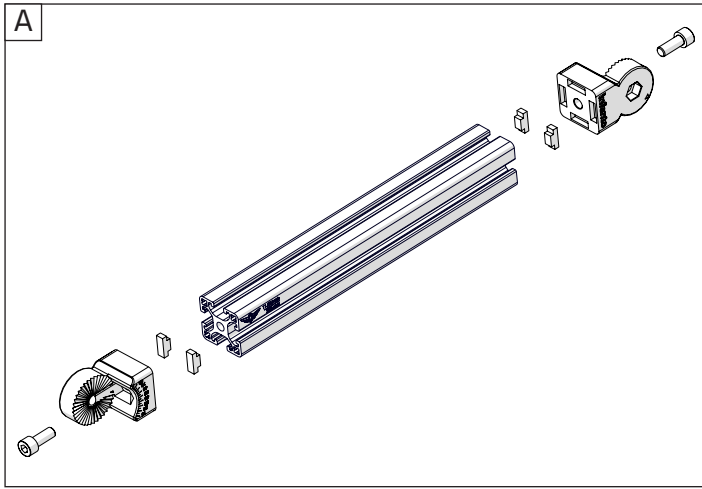
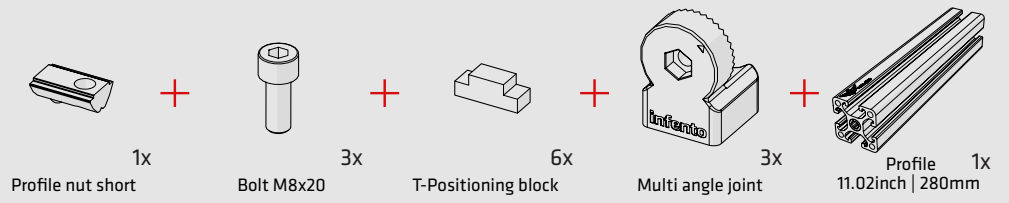
-   
Washer M8-16  
1x
- +
-   
Bolt M8x45  
1x
- +
-   
7 inch wheel  
1x
- +
-   
Bolt M6x12  
5x



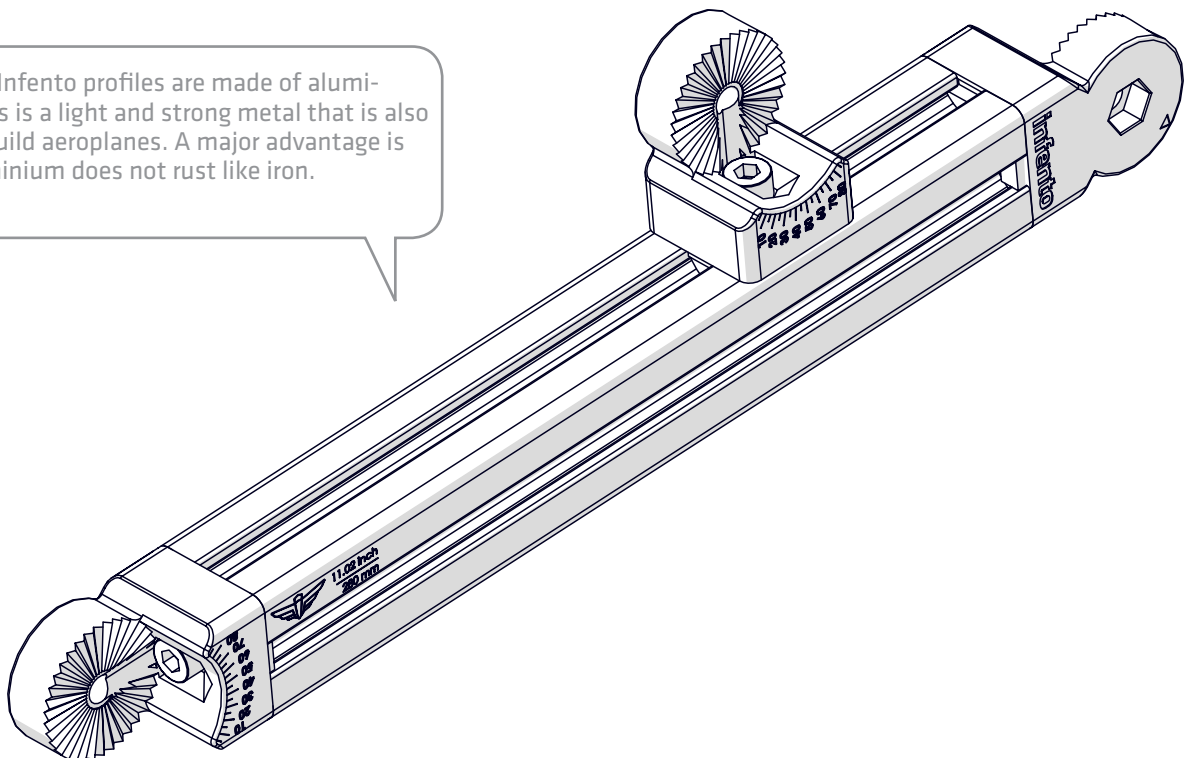


# 13

ride **BOOSTER**



The Infento profiles are made of aluminium. This is a light and strong metal that is also used to build aeroplanes. A major advantage is that aluminium does not rust like iron.





# 14

ride **BOOSTER**



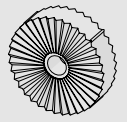
1x

Bolt M8x35



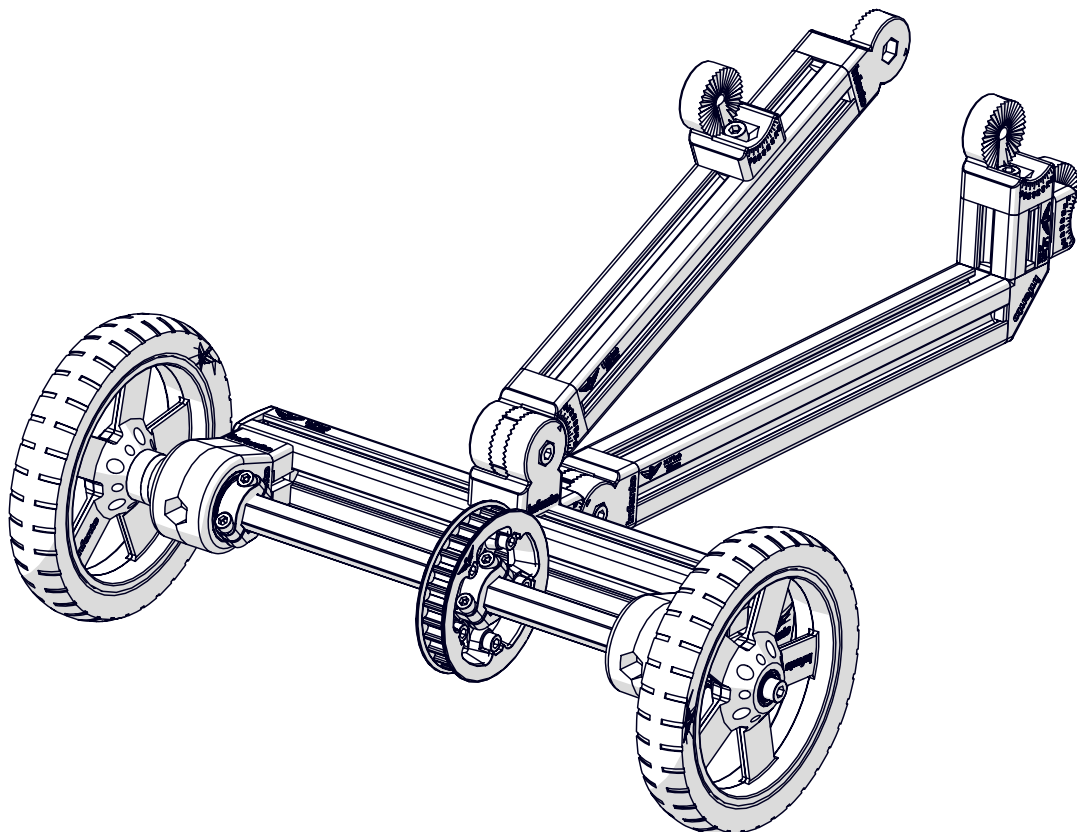
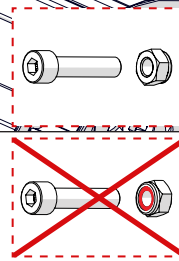
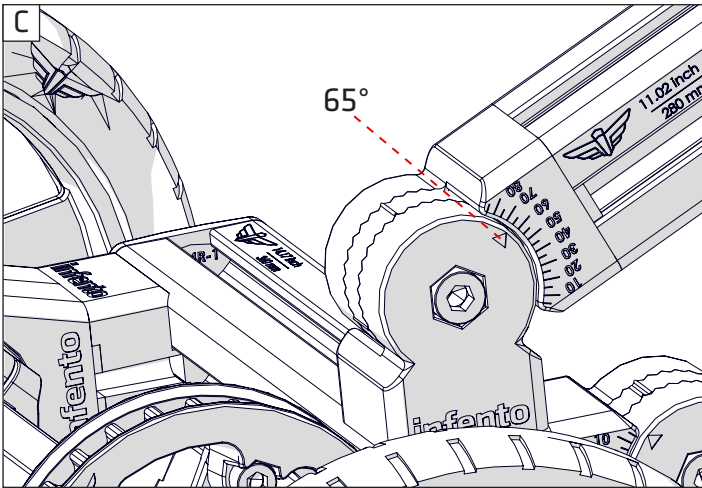
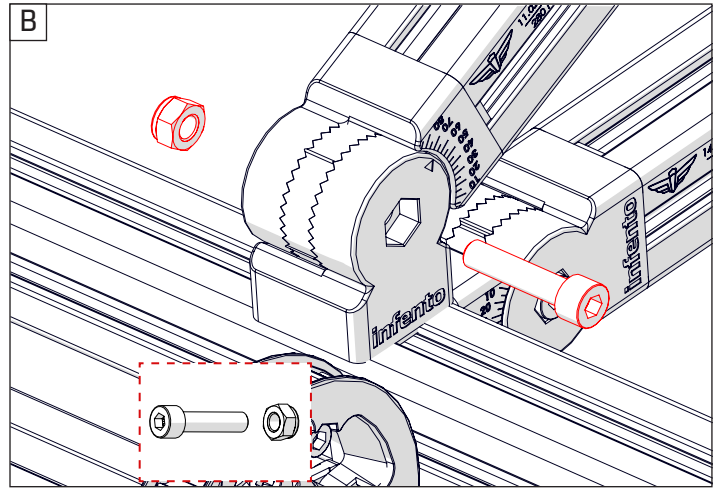
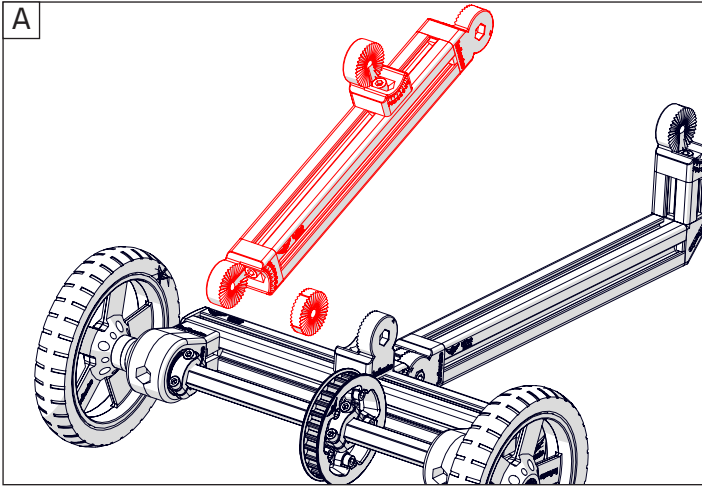
1x

Locknut M8



1x

Knurled disc 1 stripe





# 15

ride **BOOSTER**

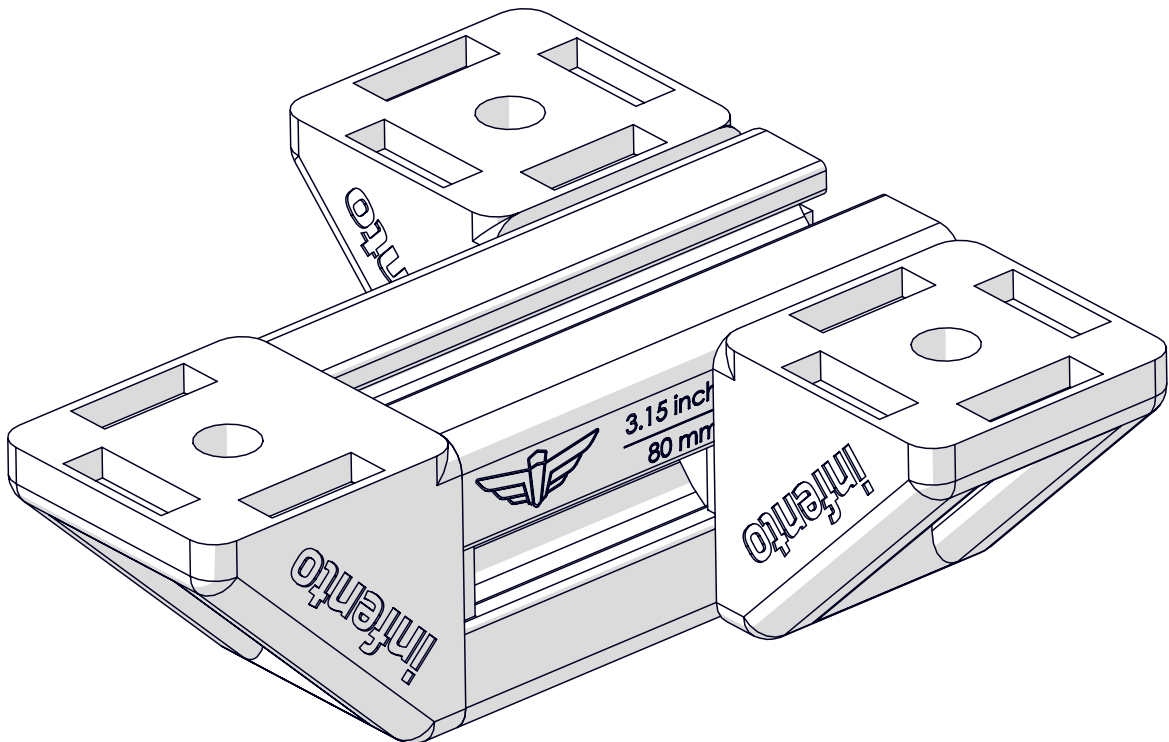
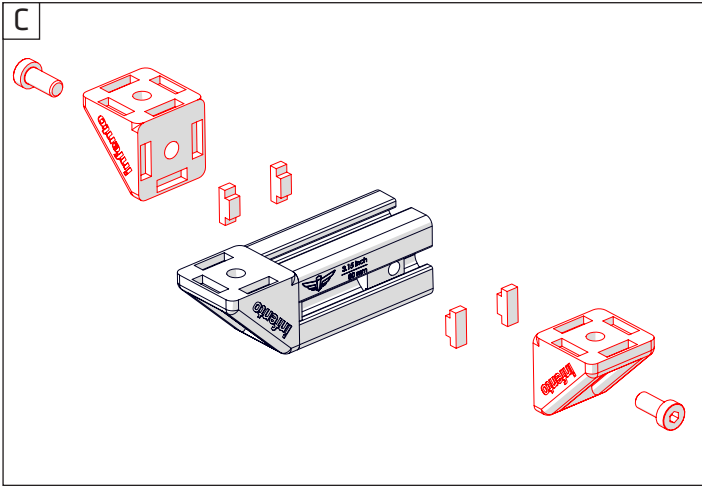
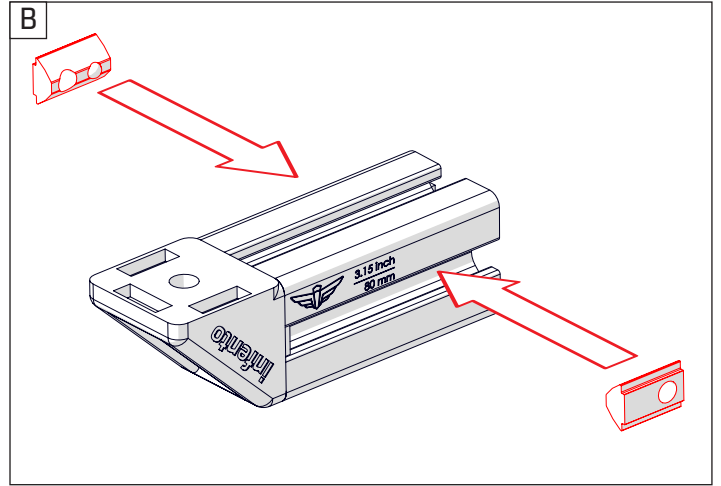
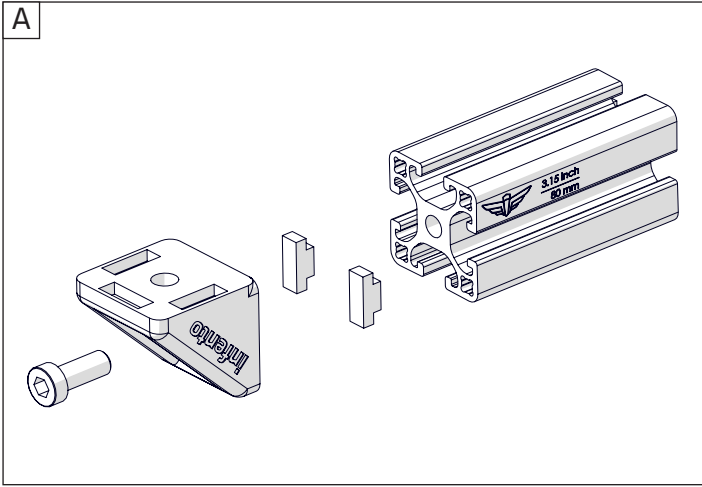
6x  
T-Positioning block

2x  
Profile nut short

3x  
Bolt M8x20  
(low head)

3x  
L-joint

1x  
Profile  
3.15inch | 80mm

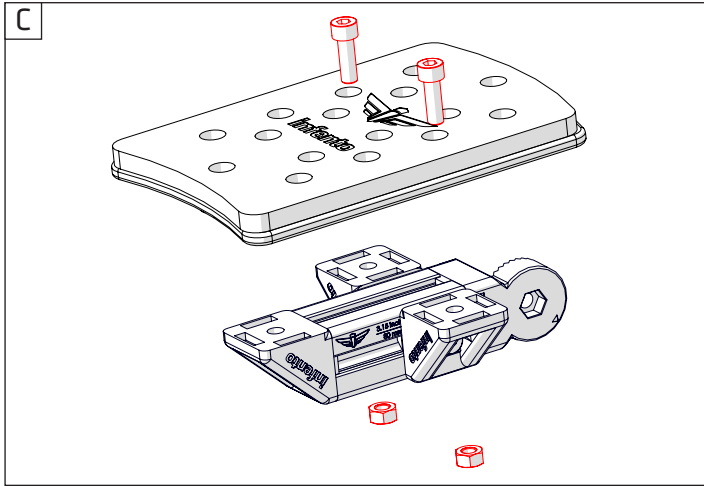
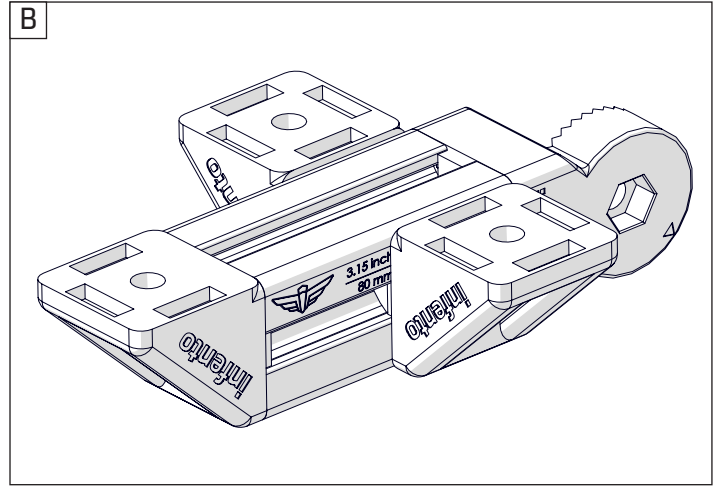
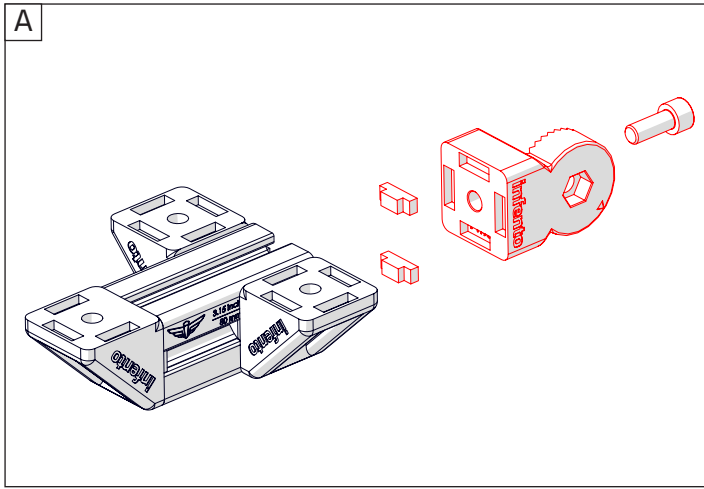




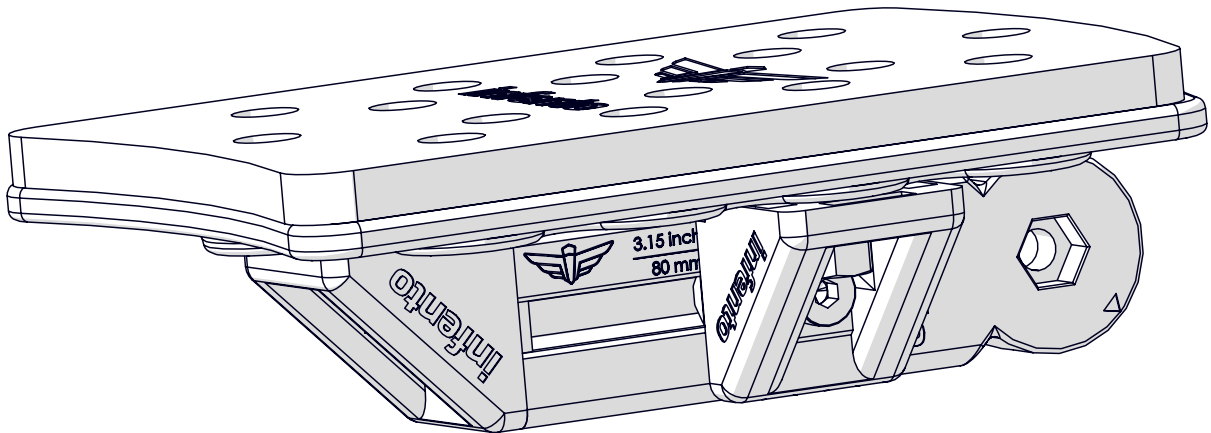
# 16

ride **BOOSTER**

- Locknut M8 2x
- Bolt M8x25 2x
- Ducktail board extension + foam 1x
- Bolt M8x20 1x
- T-Positioning block 2x
- Multi angle joint 1x



The Infento profiles are made of aluminium. This is a light and strong metal that is also used to build aeroplanes. A major advantage is that aluminium does not rust like iron.





17

ride **BOOSTER**



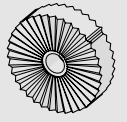
Bolt M8x35

1x



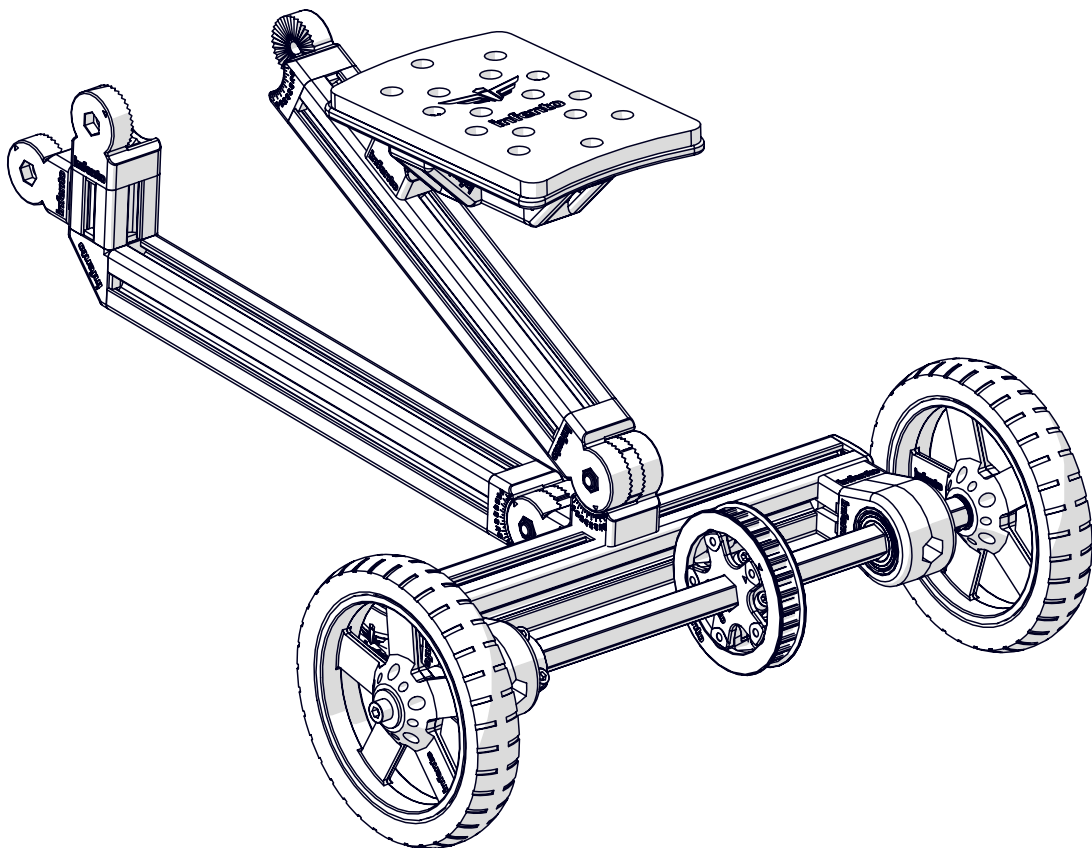
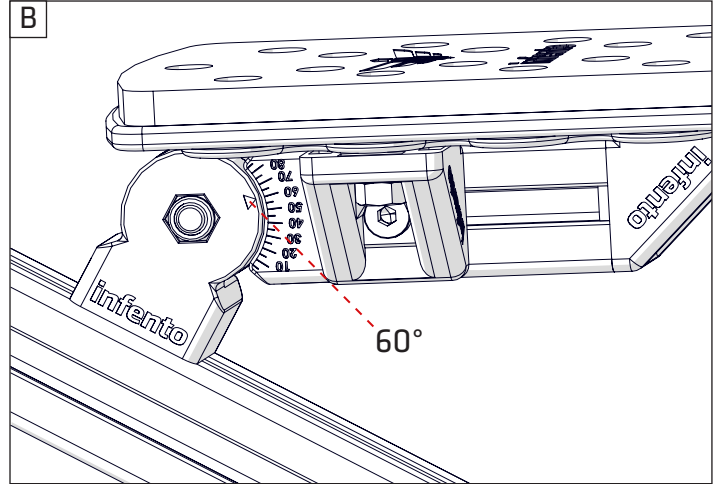
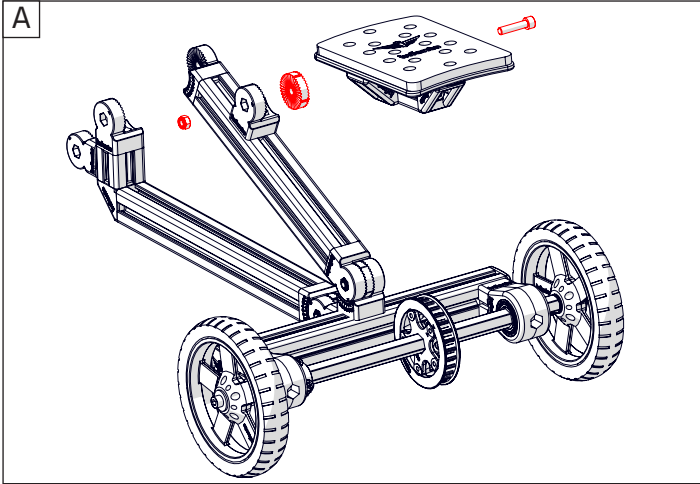
Locknut M8

1x



Knurled disc 2 stripes




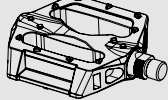
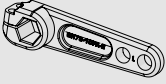
1x

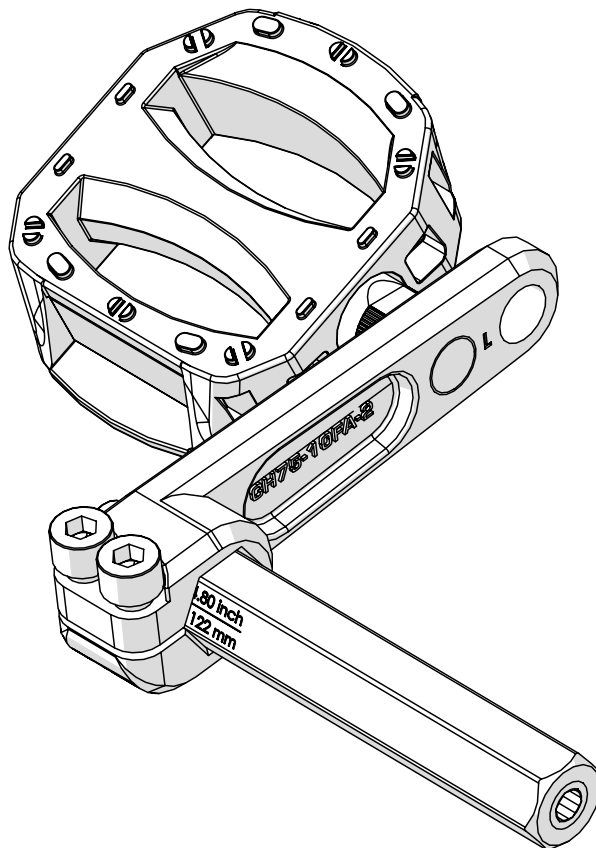
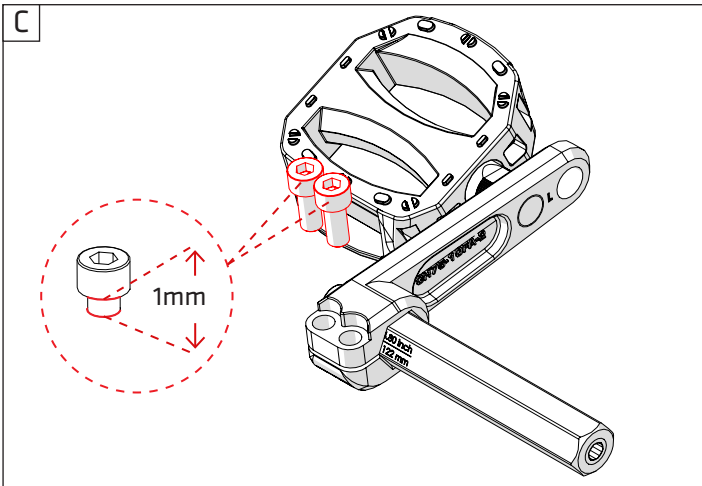
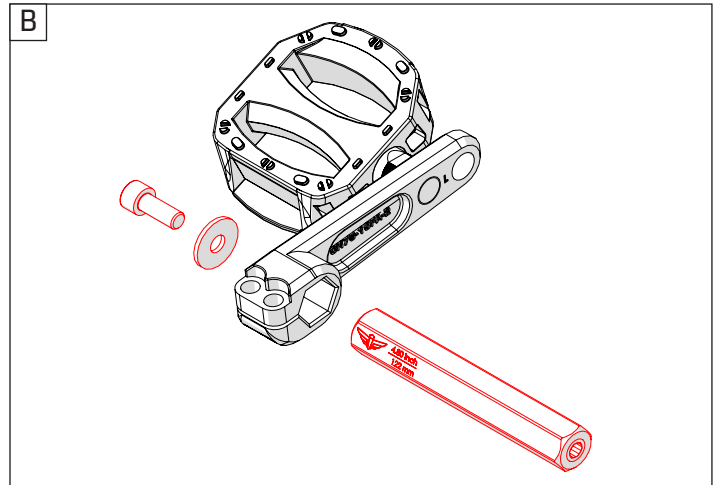
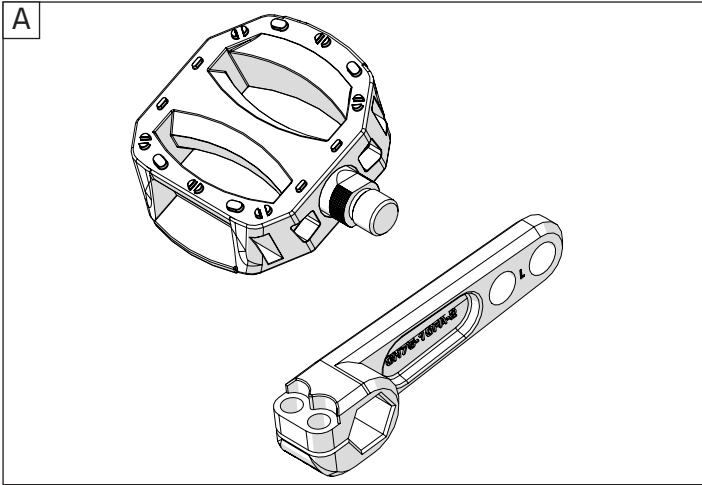




# 18

ride **BOOSTER**

-  3x Bolt M8x20
-  1x Washer M8-24
-  1x Axle 4.8inch | 122mm
-  1x Pedal left
-  1x Crank small left

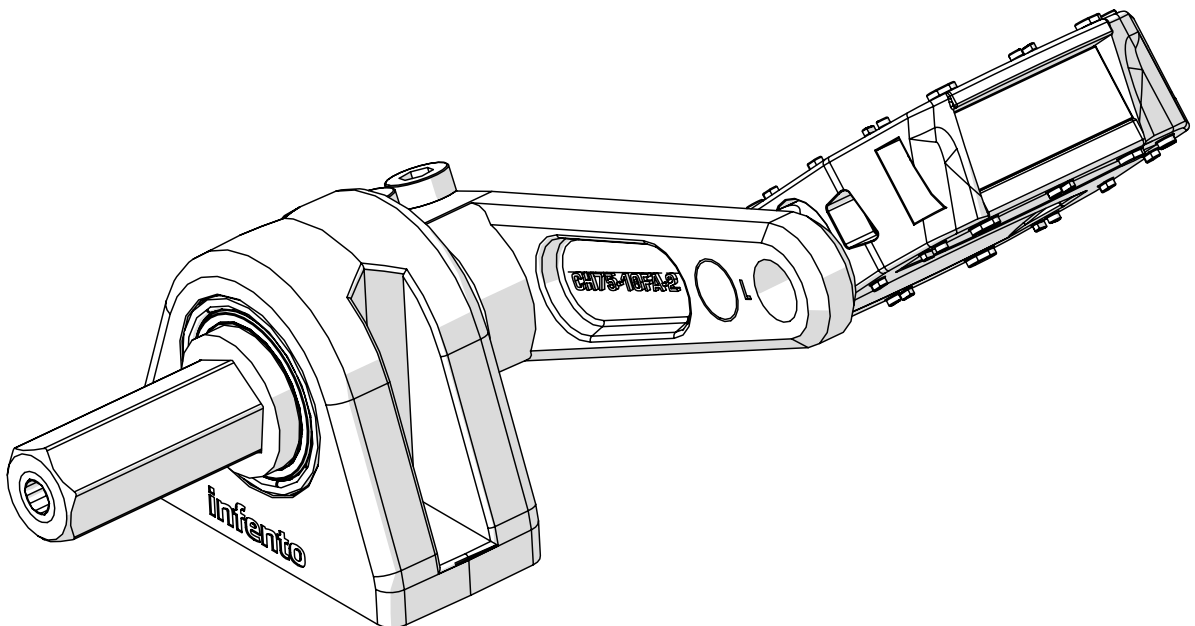
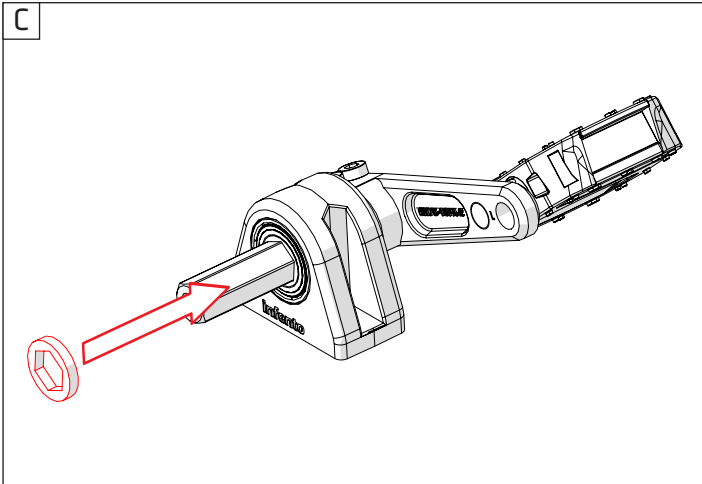
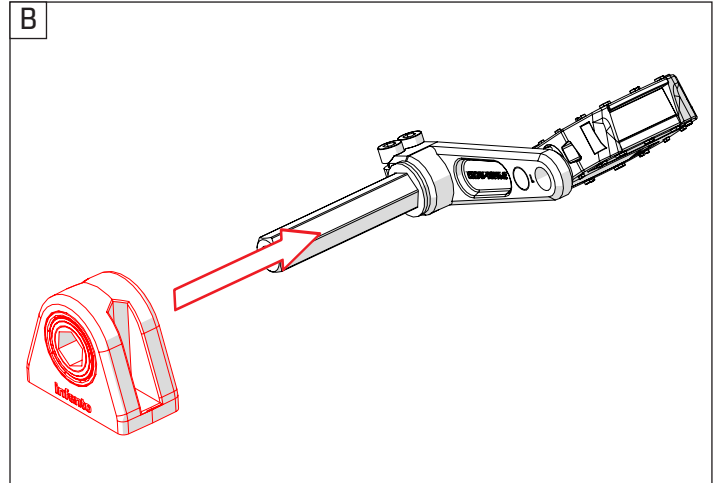
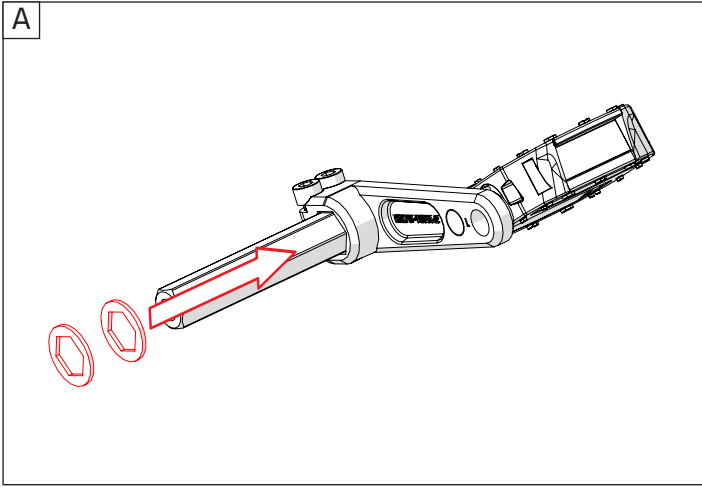




19

ride BOOSTER

- Spacer 1x 0.2inch | 5 mm + Bearingblock 40x80\_hexa 19 1x + Spacer 2x 0.08inch | 2 mm



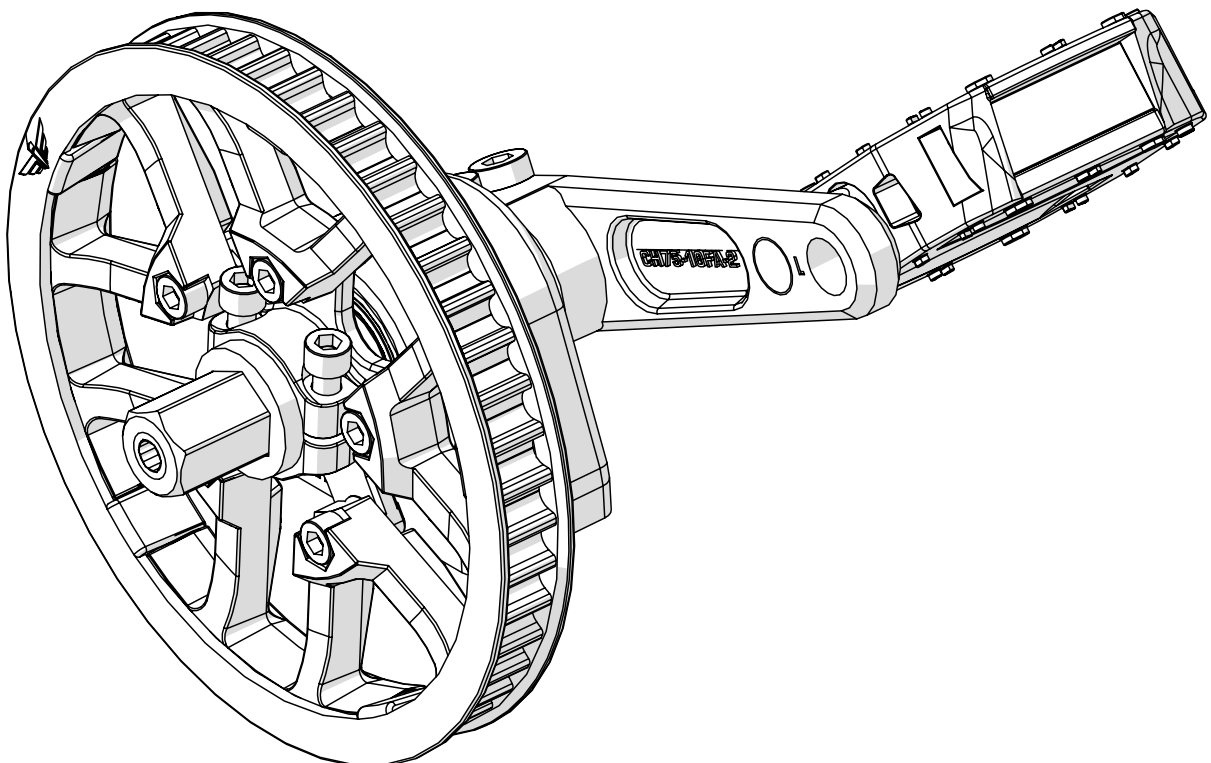
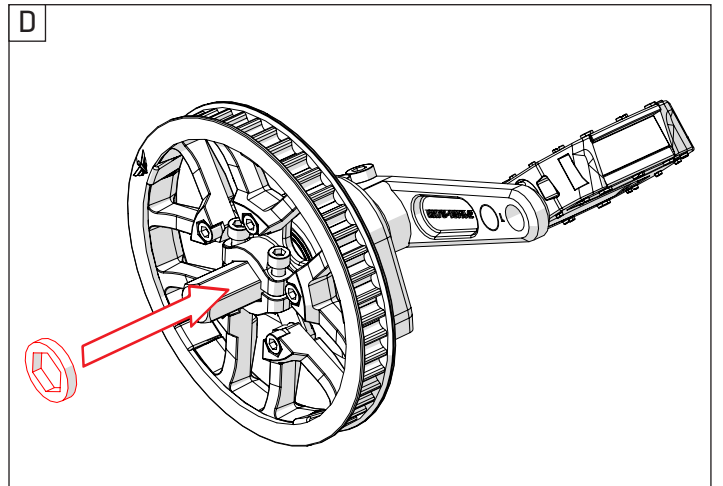
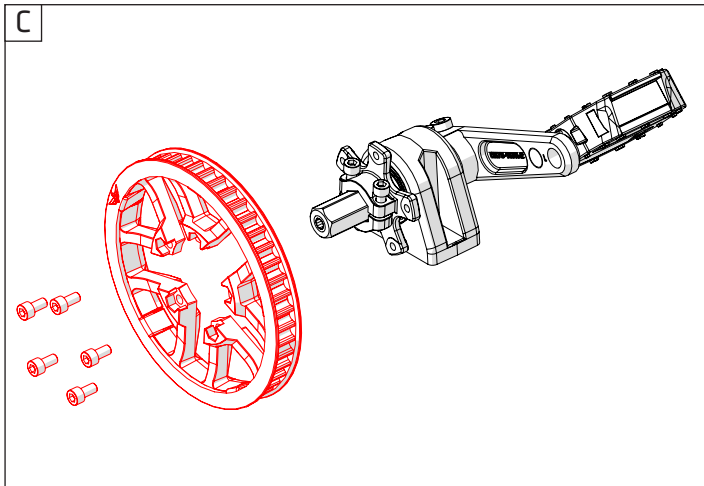
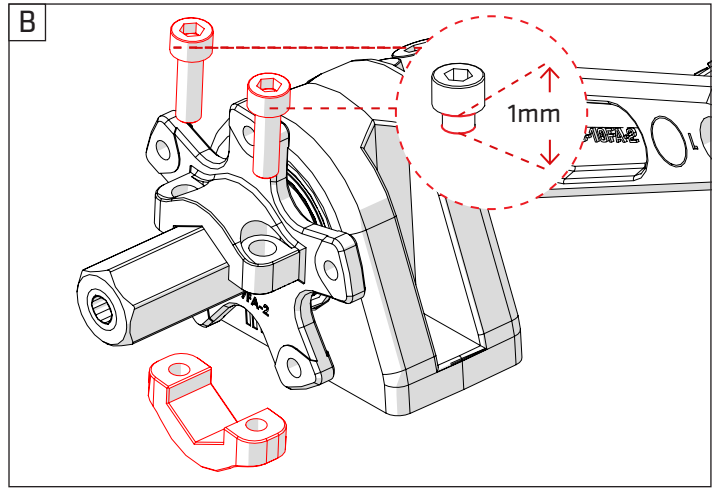
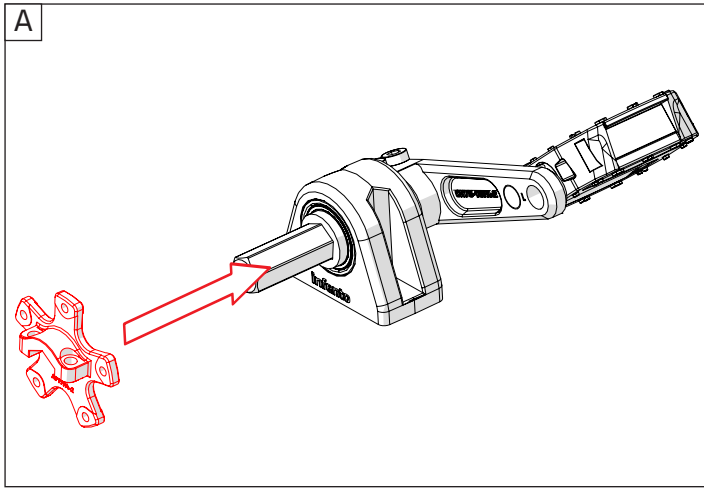




20

ride BOOSTER

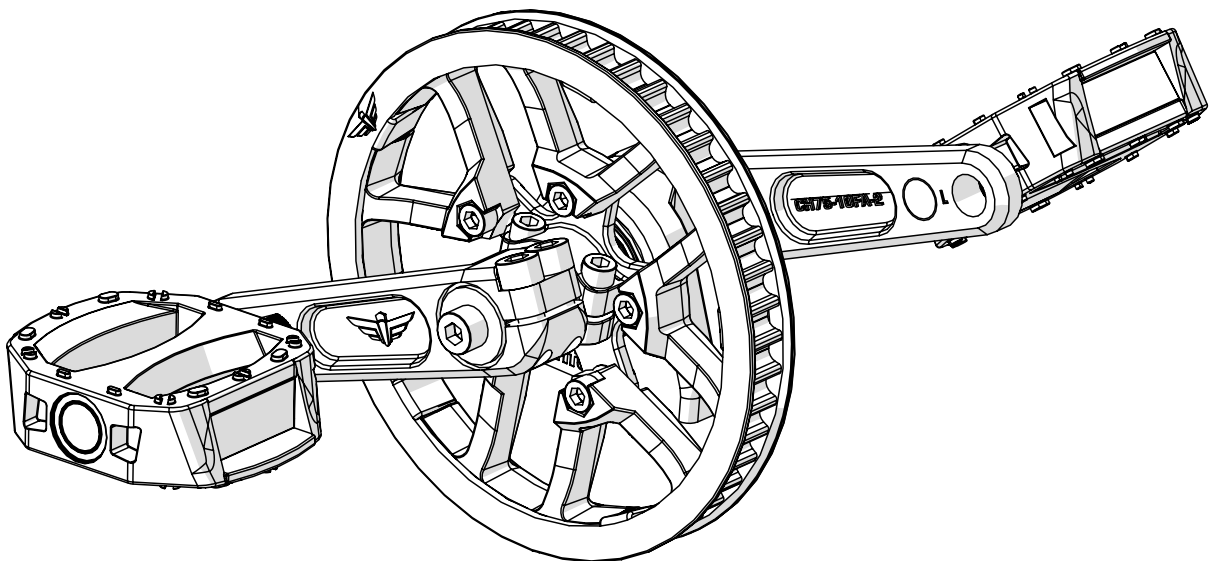
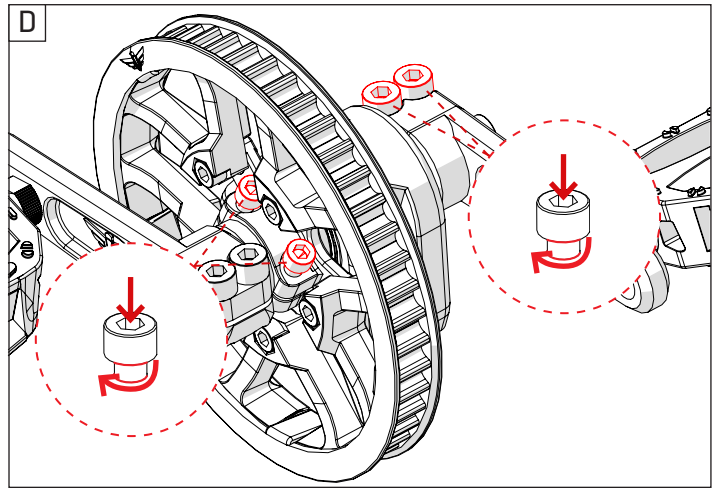
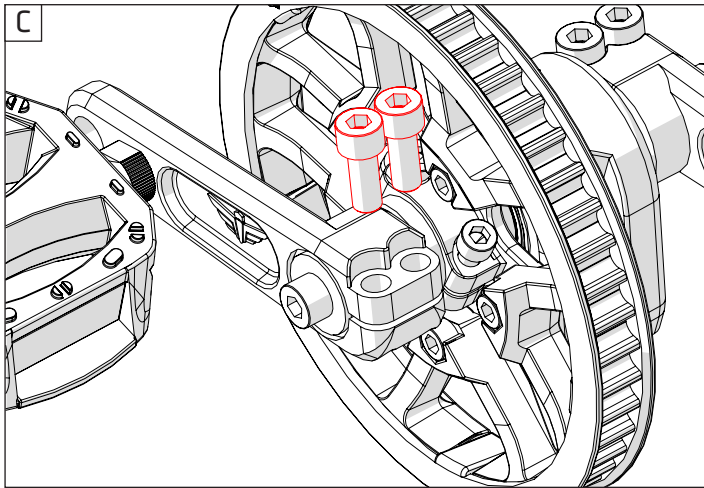
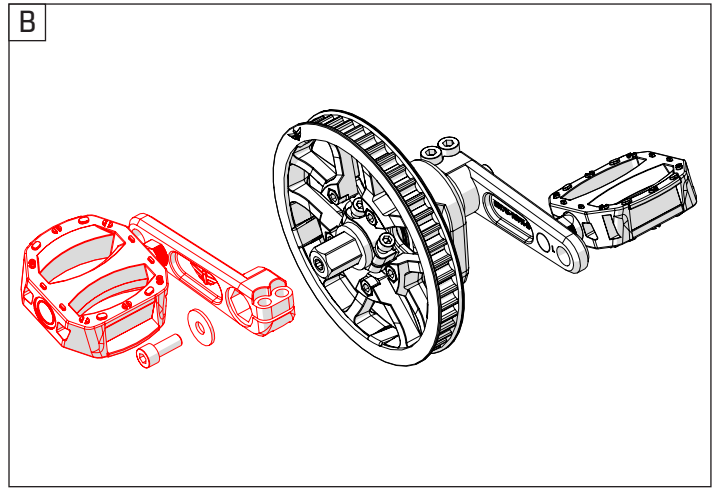
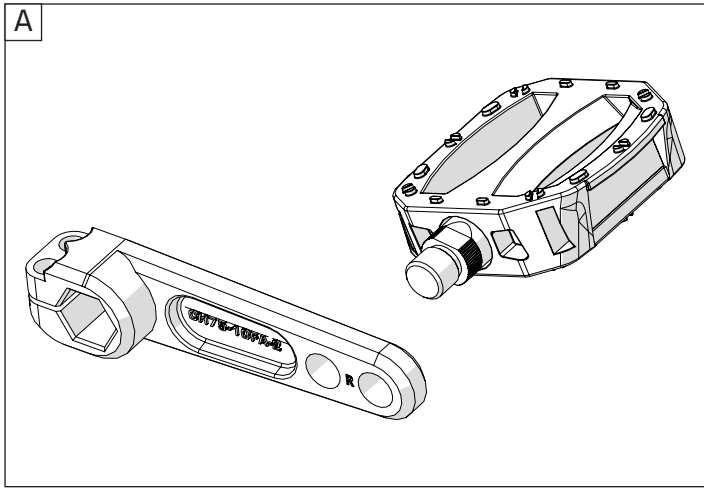
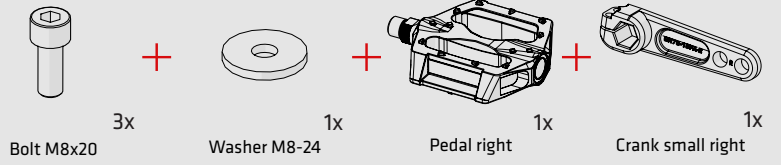
- Spacer 1x  
0.2inch | 5 mm
- Bolt M6x12 5x
- Toothed belt pulley 46T 1x
- Bolt M6x20 2x
- Clamping part holes with M6 thread 1x
- Axle flange 1x





# 21

ride **BOOSTER**





22

ride BOOSTER



2x

Bolt M8x20

+



2x

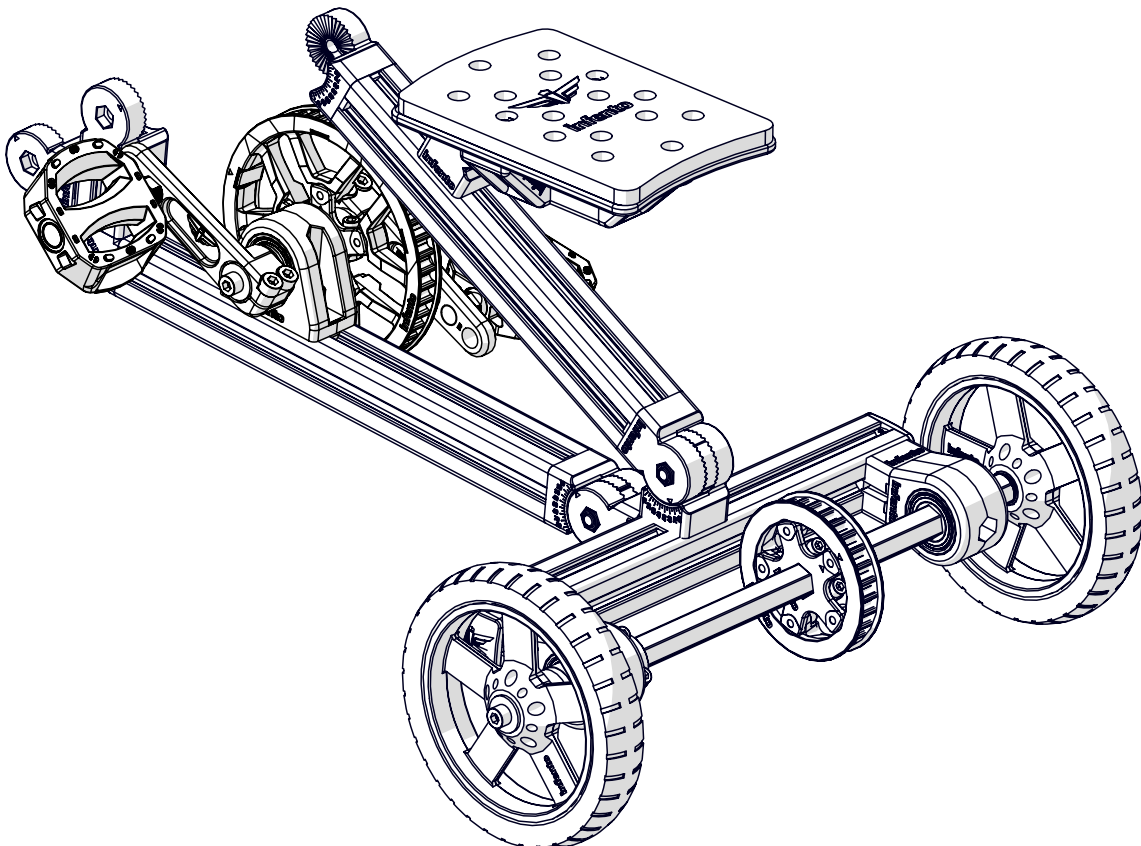
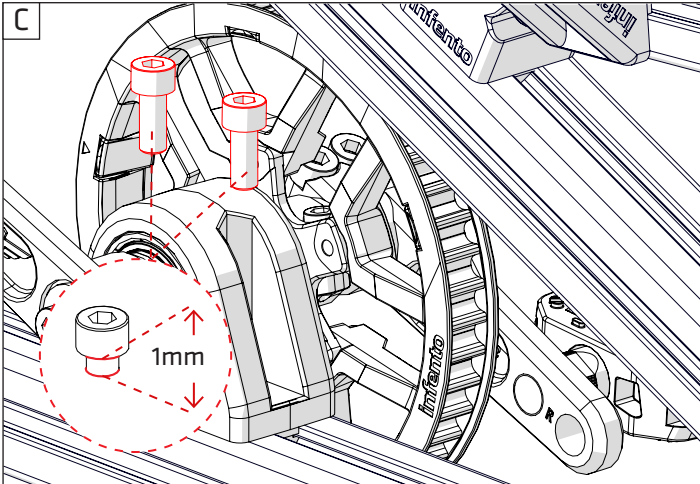
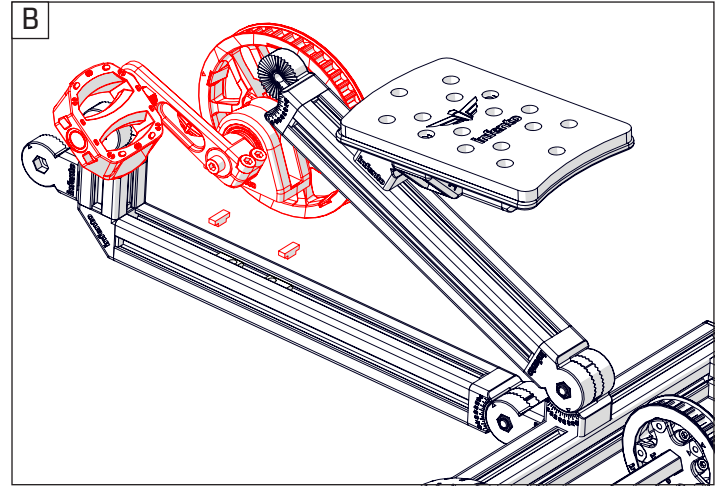
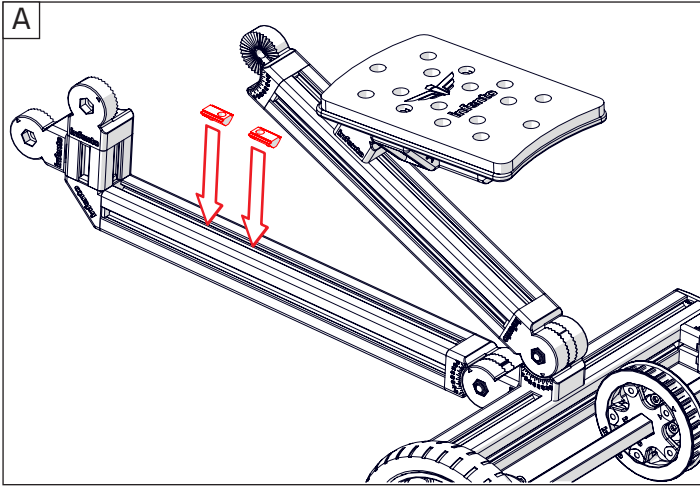
T-Positioning block

+



2x

Profile nut short



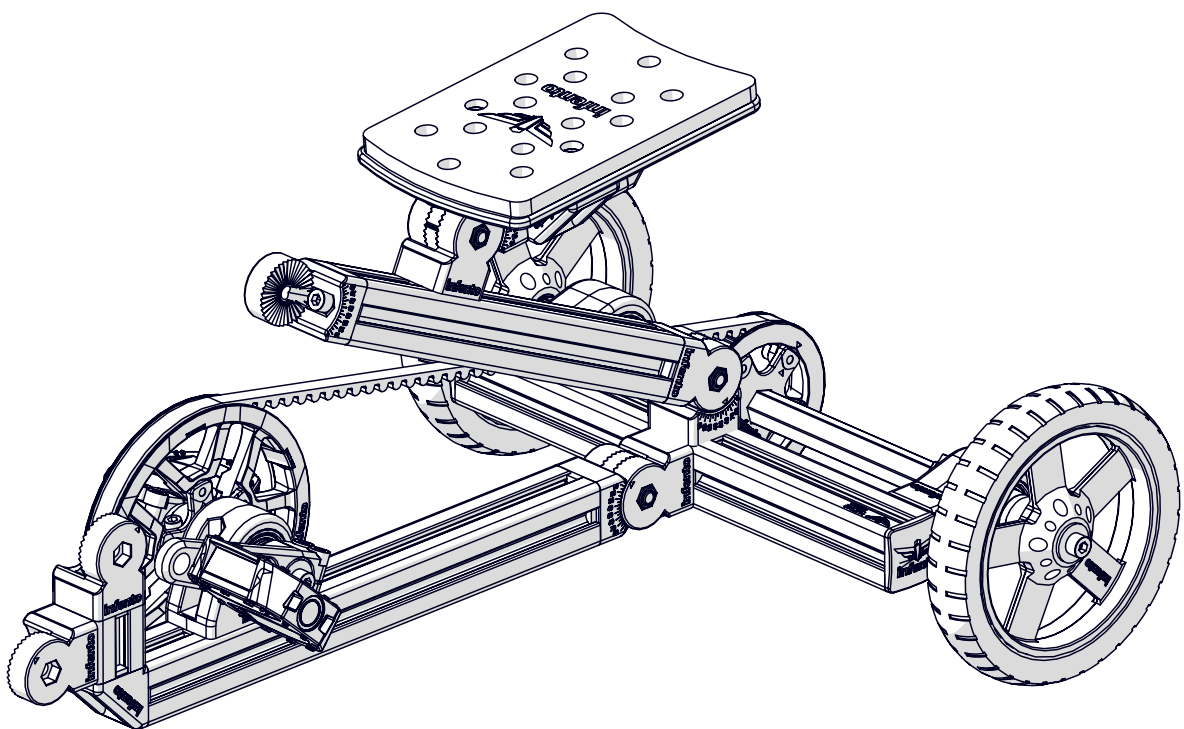
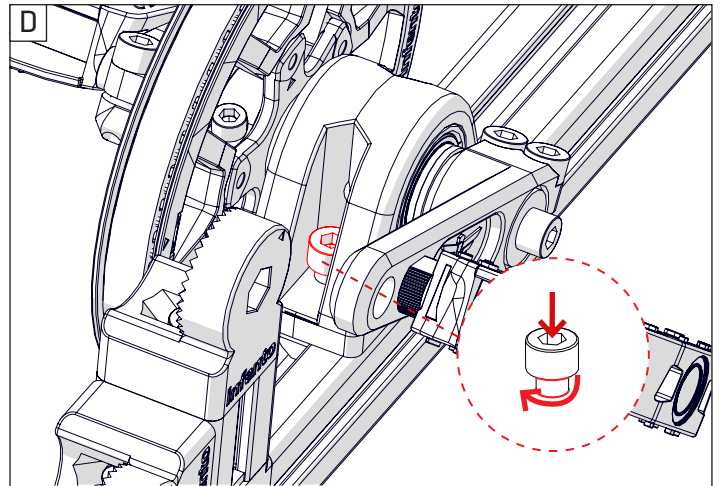
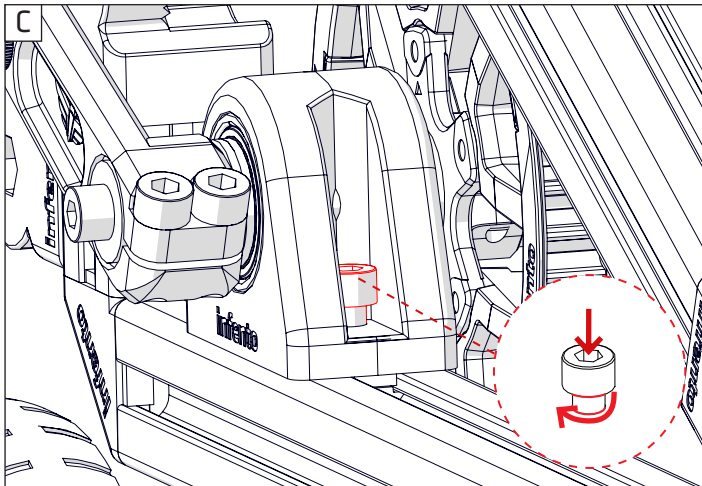
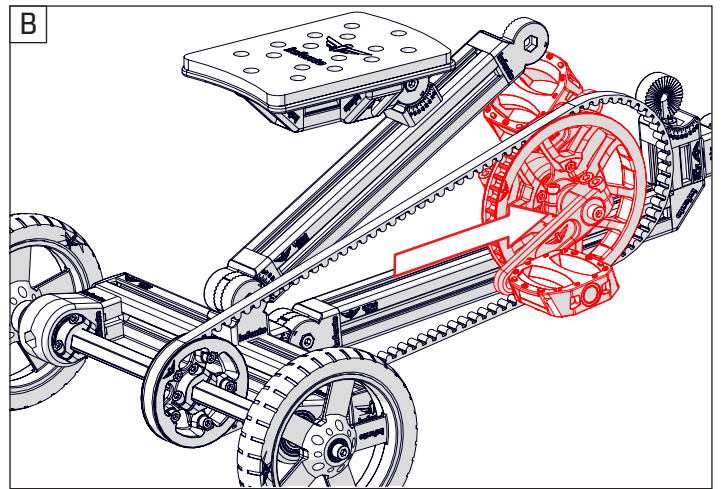
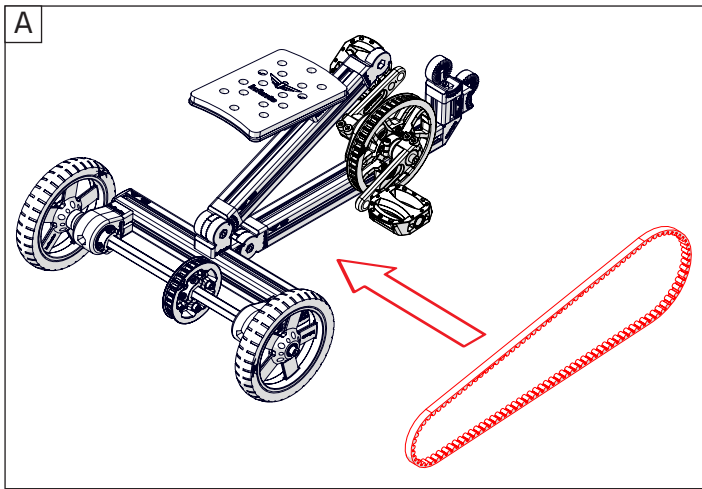


23

ride BOOSTER



1x  
Toothed belt 118T

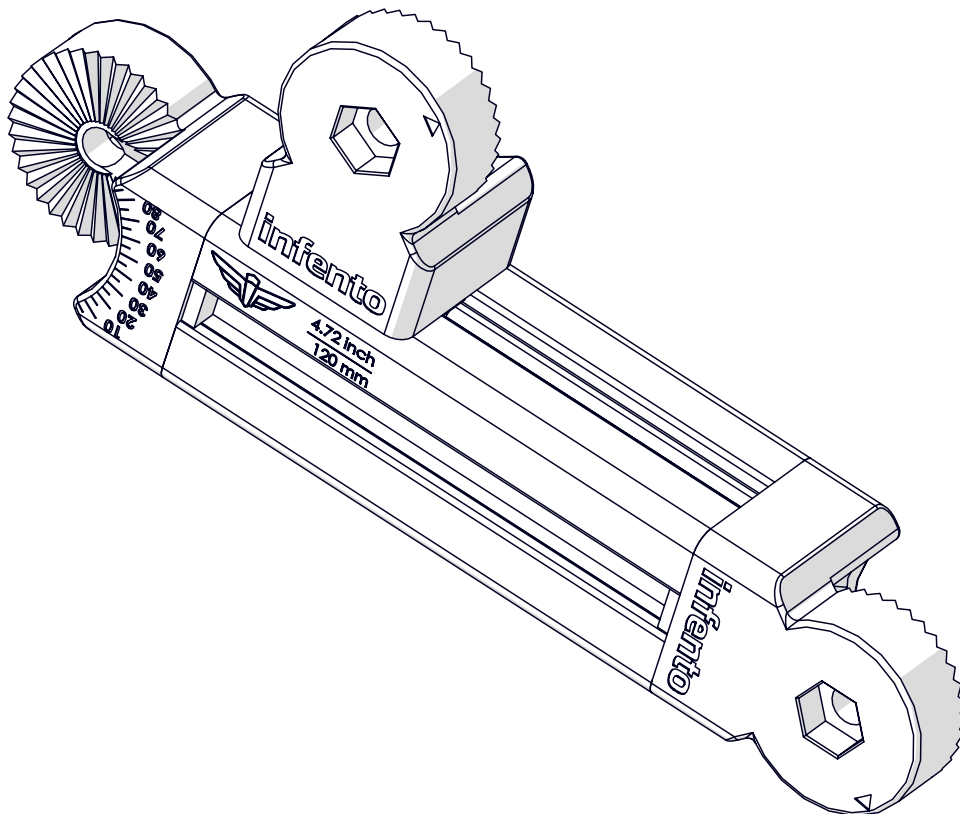
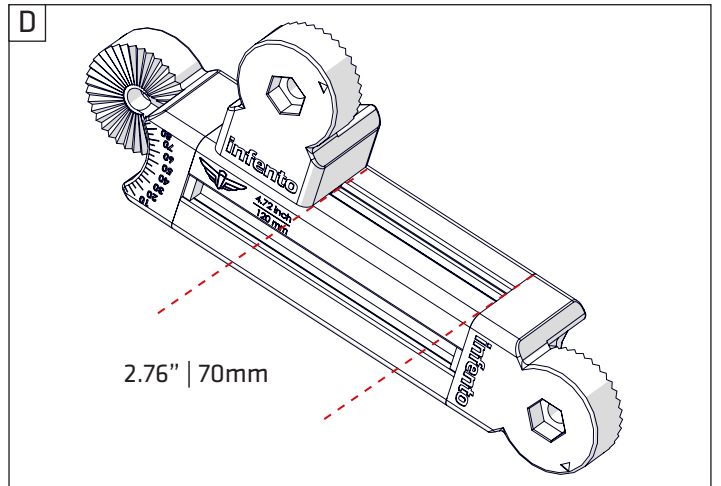
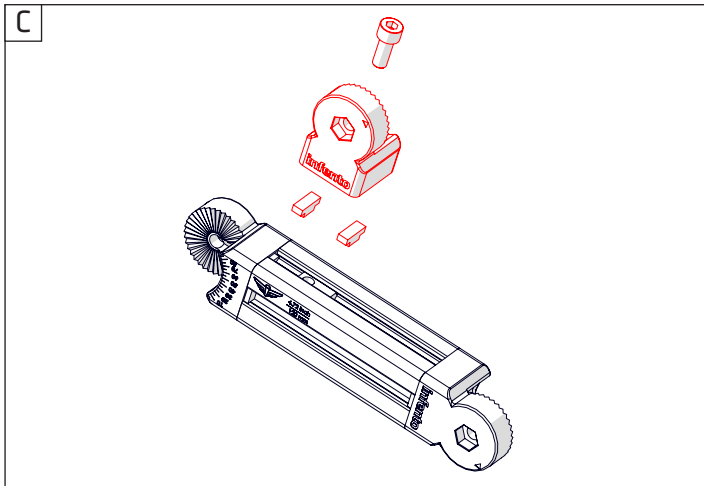
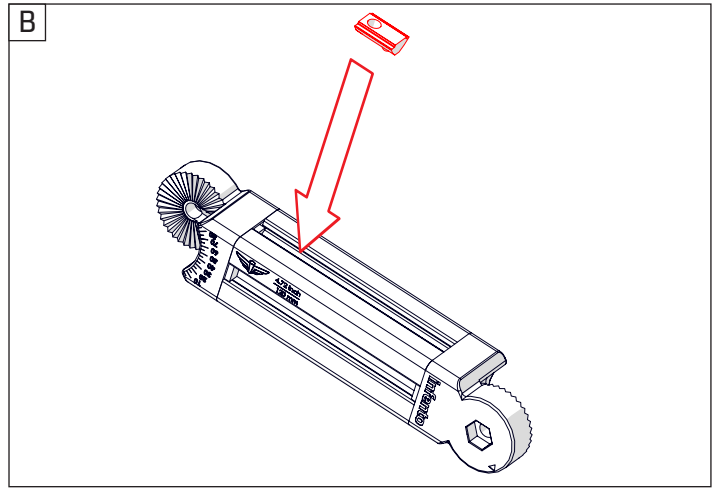
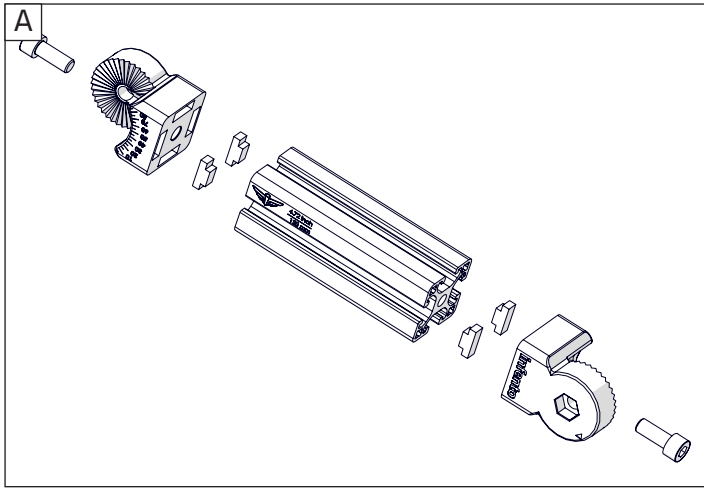




# 24

ride **BOOSTER**

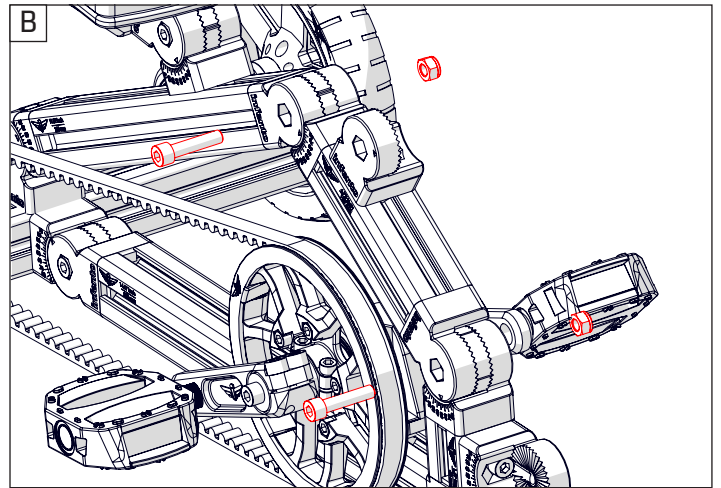
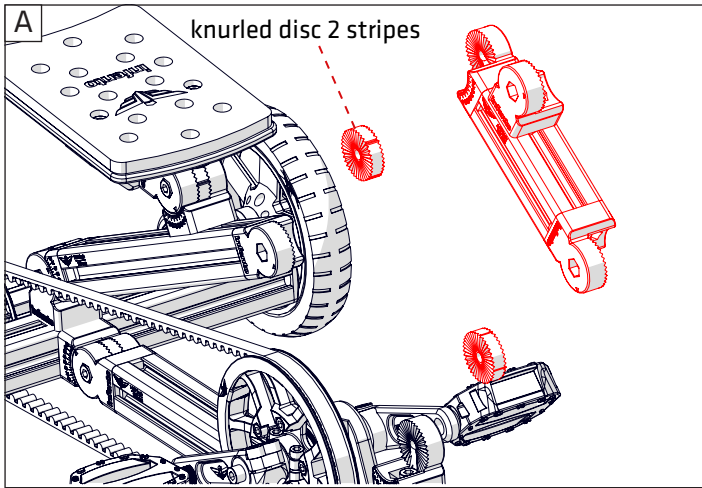
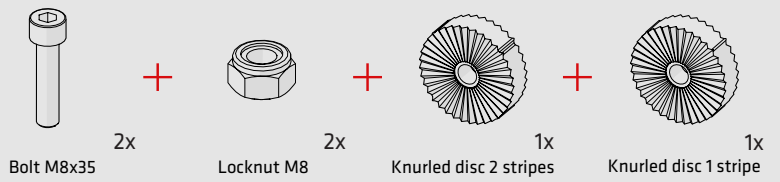
- Profile nut short 1x
- Bolt M8x20 3x
- T-Positioning block 6x
- Multi angle joint 3x
- Profile 4.72inch | 120mm 1x



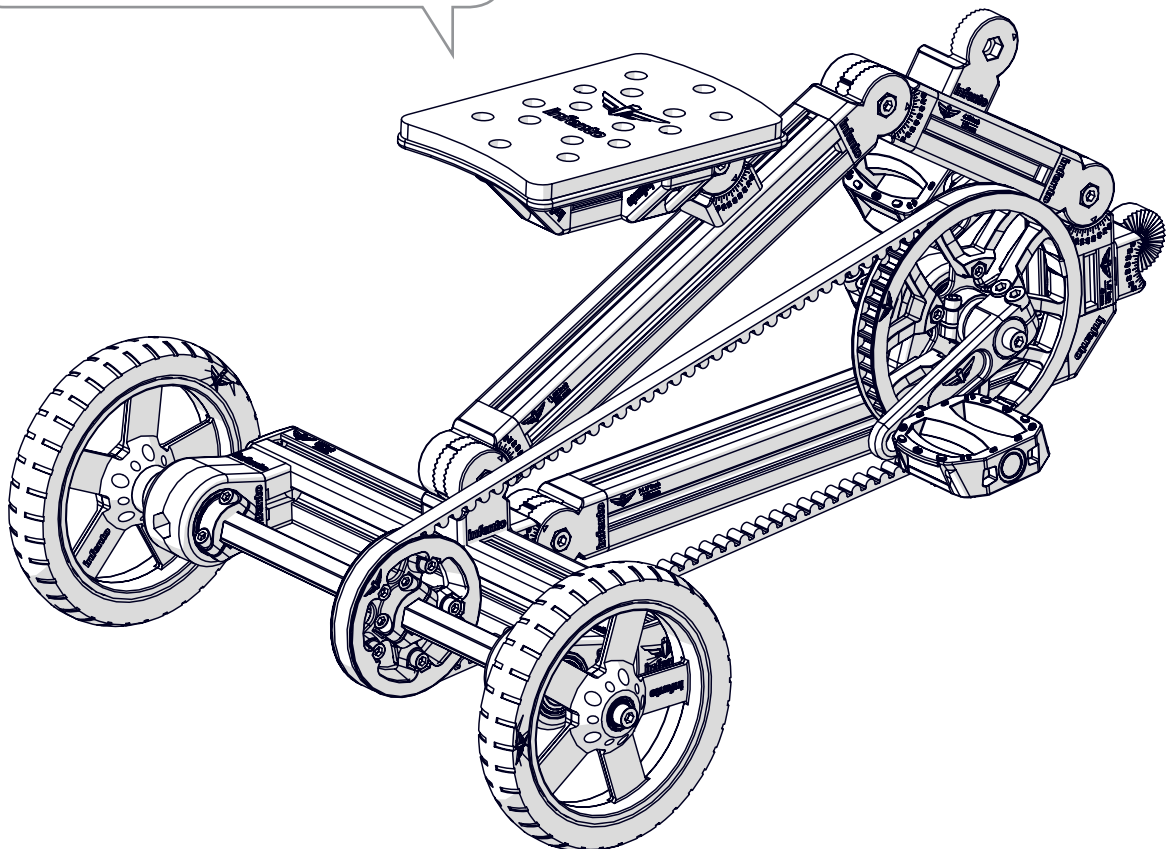


25

ride BOOSTER



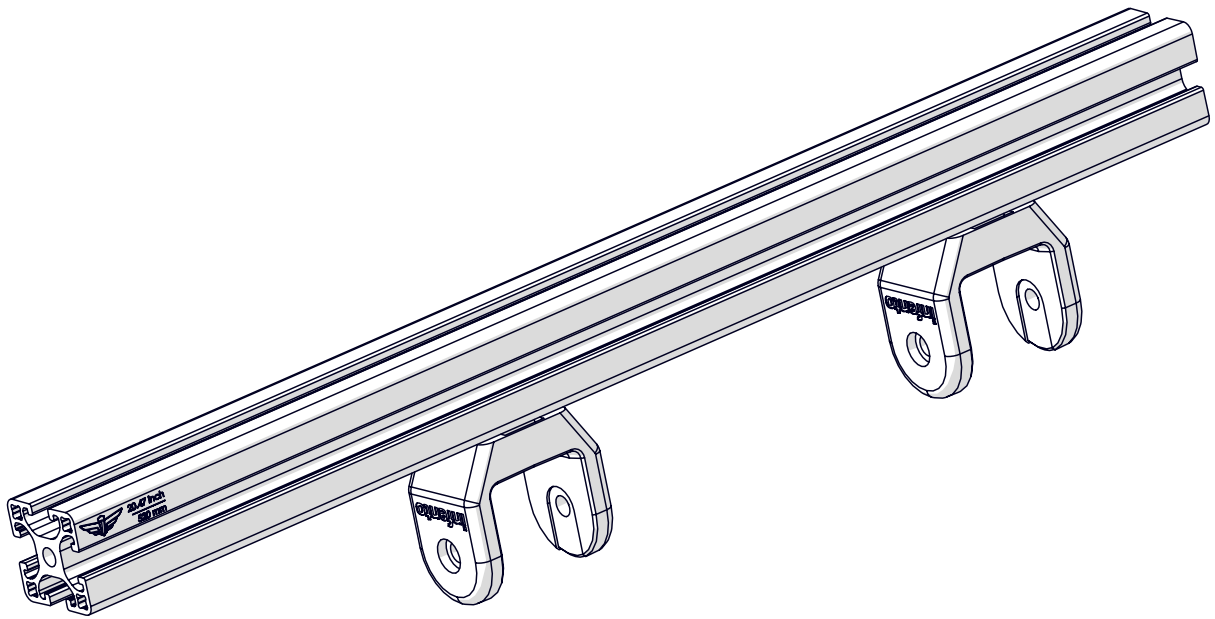
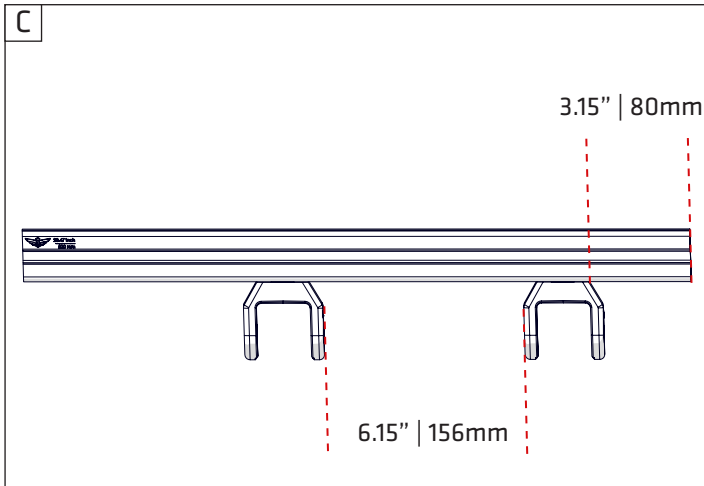
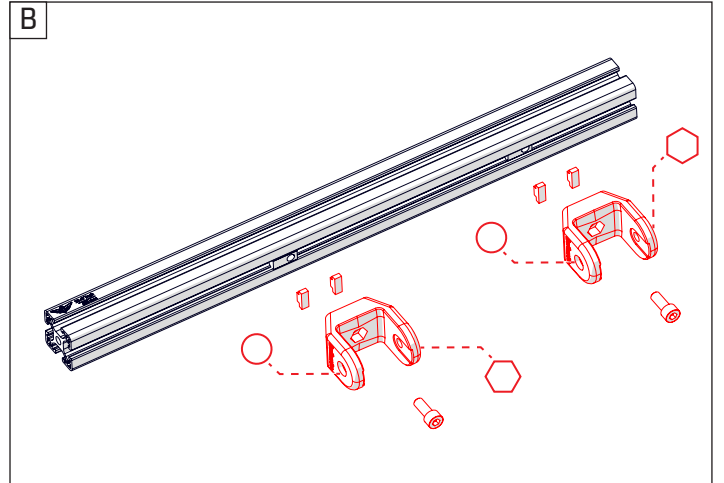
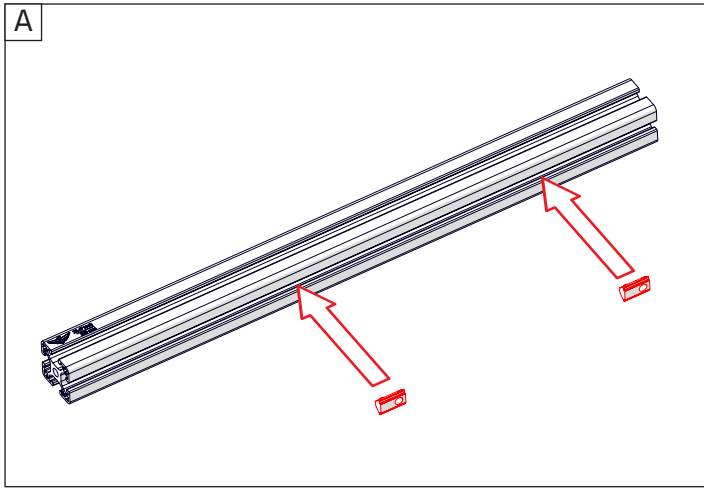
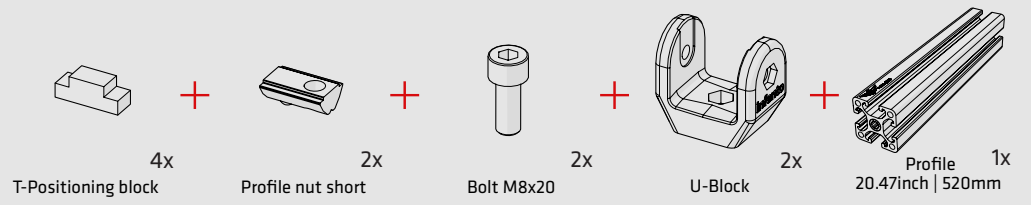
Most nuts that you use for Infento are self-locking. This means that they cannot vibrate loose. On the inside of the bolt you will see a plastic washer that ensures it cannot turn freely, even if there is no tension on the bolt.





# 26

ride **BOOSTER**





27

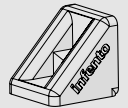
ride **BOOSTER**



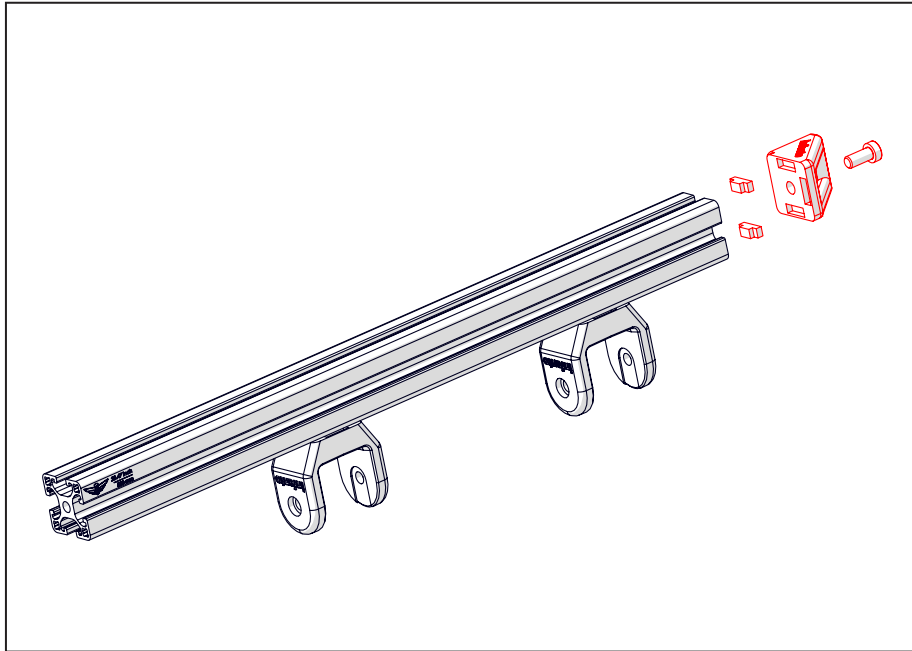
Bolt M8x20  
(low head) 1x



T-Positioning block 2x

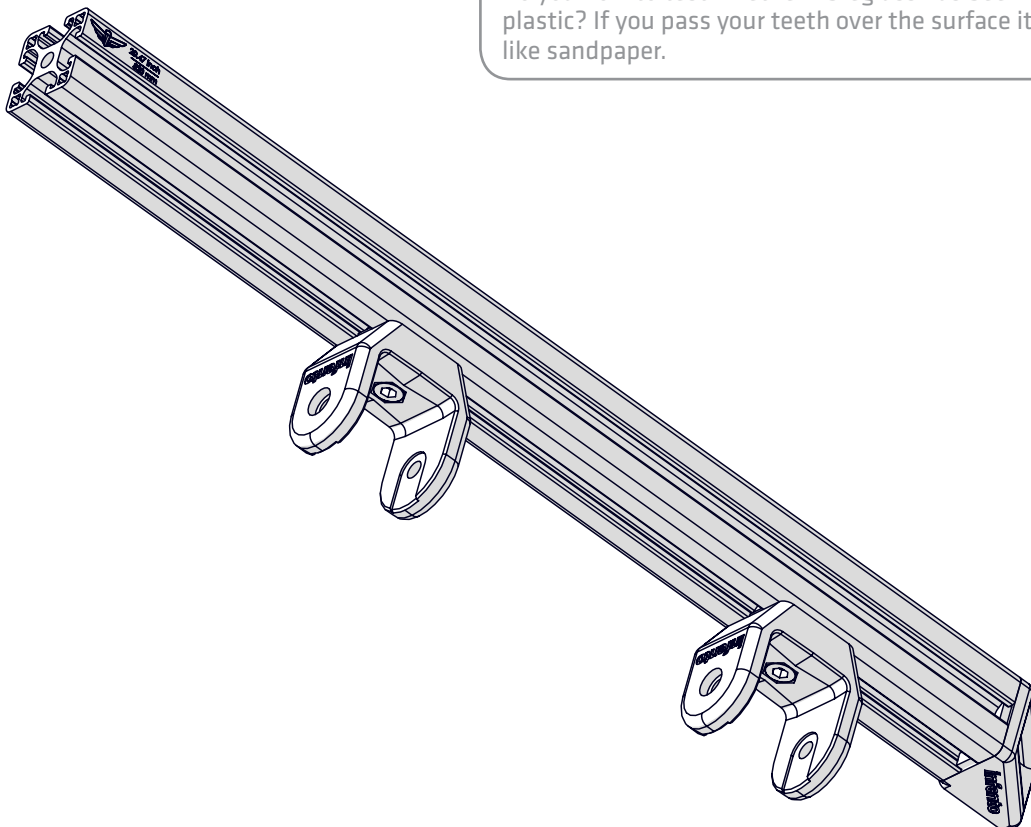


L-joint 1x



Fibreglass is processed in all plastic parts. This means the parts are much more resistant to the pressure induced by the bolts.

Do you how to test whether fibreglass has been mixed with plastic? If you pass your teeth over the surface it will feel a bit like sandpaper.



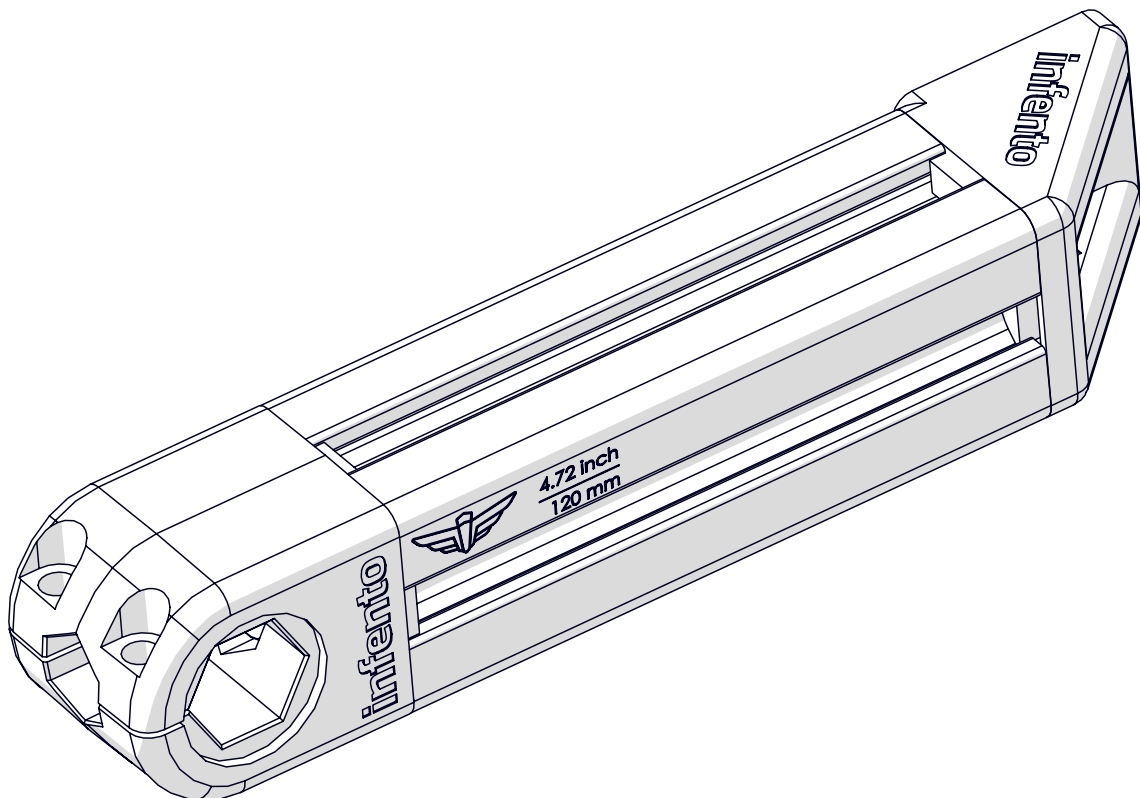
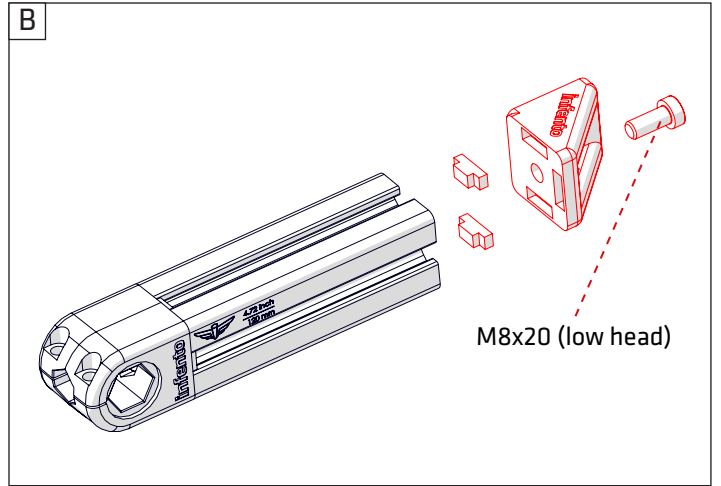
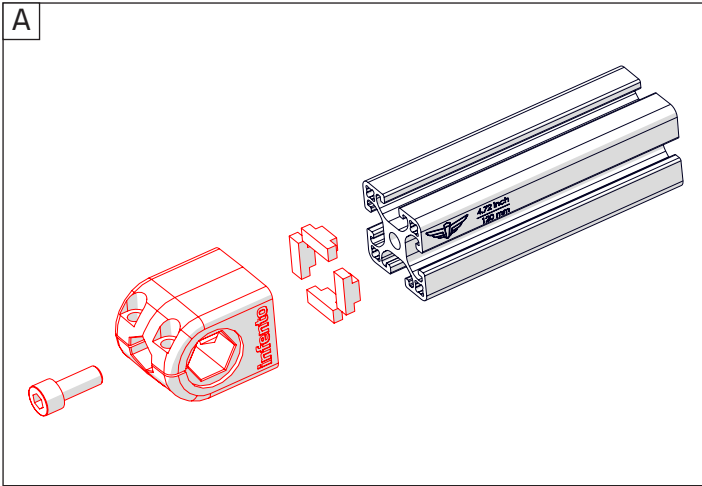




28

ride **BOOSTER**

- Bolt M8x20 (low head) 1x
- Bolt M8x20 1x
- T-Positioning block 6x
- L-joint 1x
- Axle clamp 1x
- Profile 4.72inch | 120mm 1x





29

ride **BOOSTER**



+



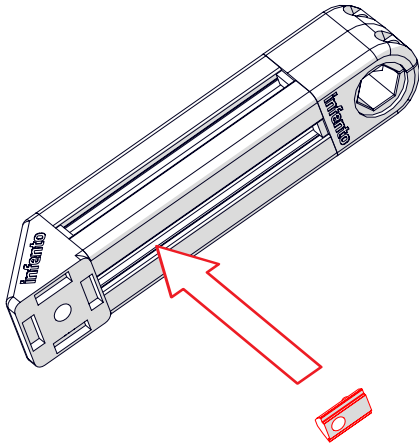
1x

Profile nut short

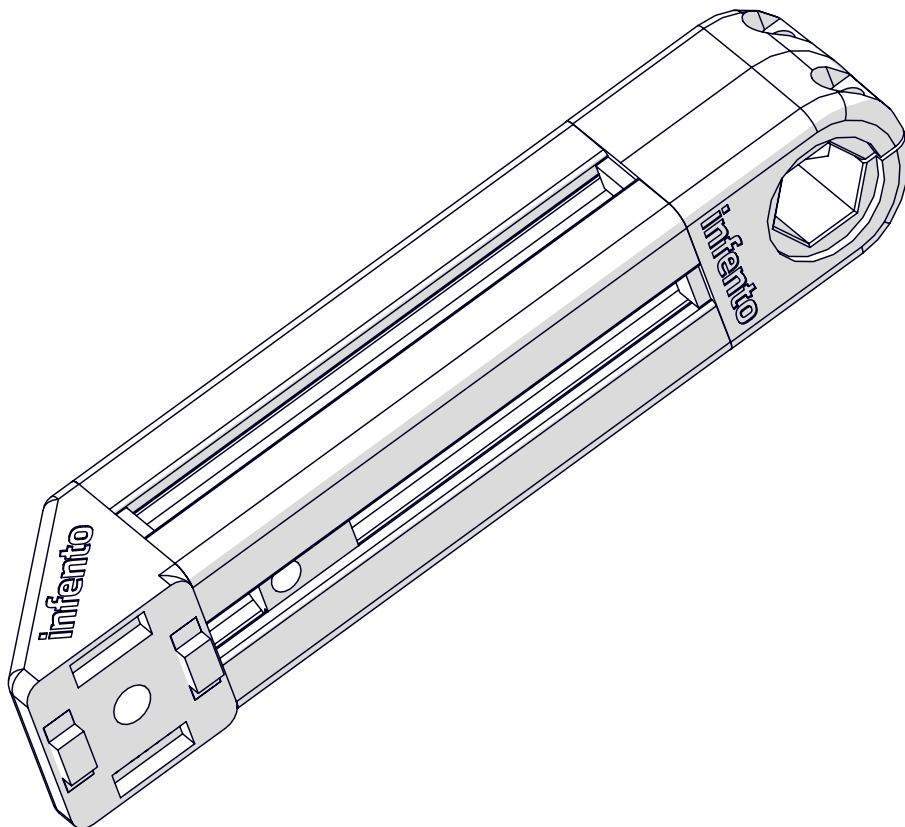
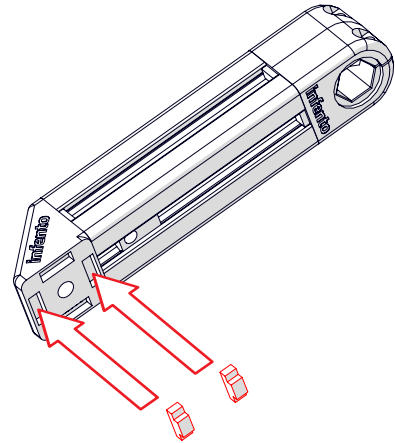
2x

T-Positioning block

A






B

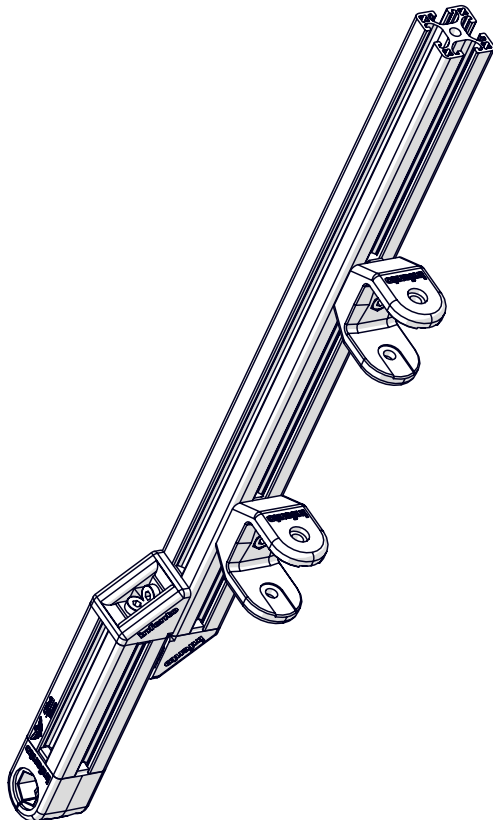
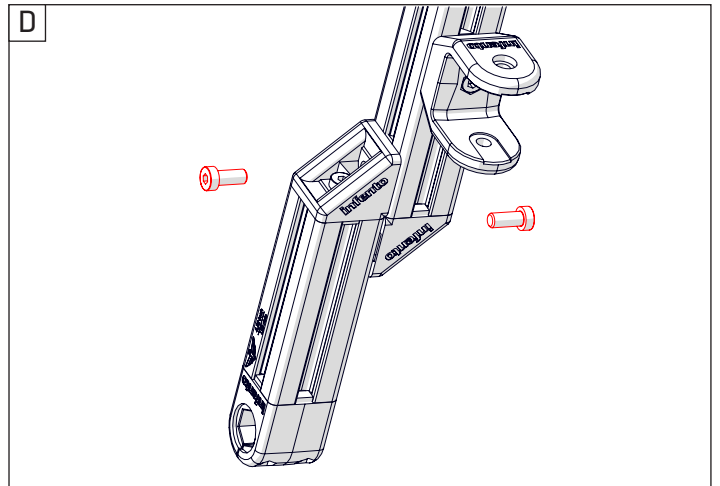
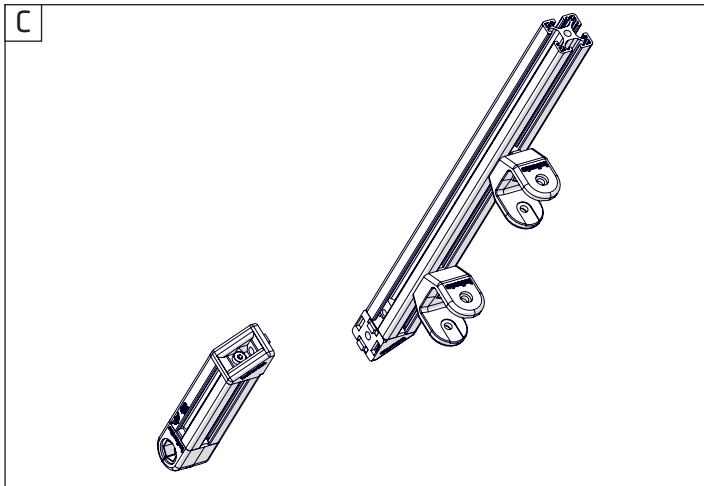
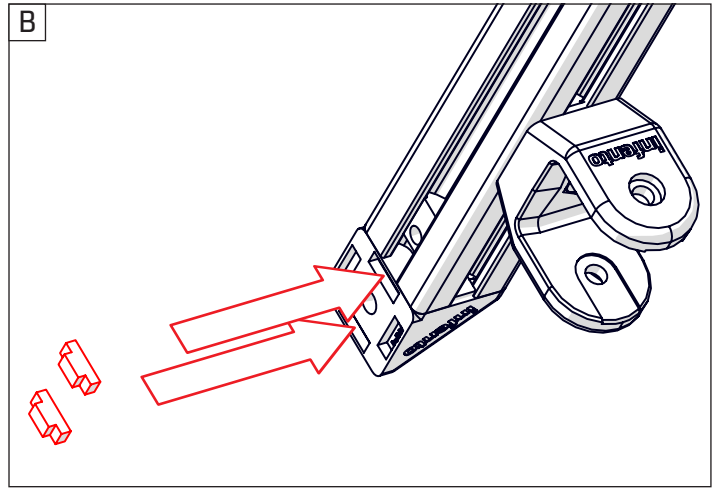
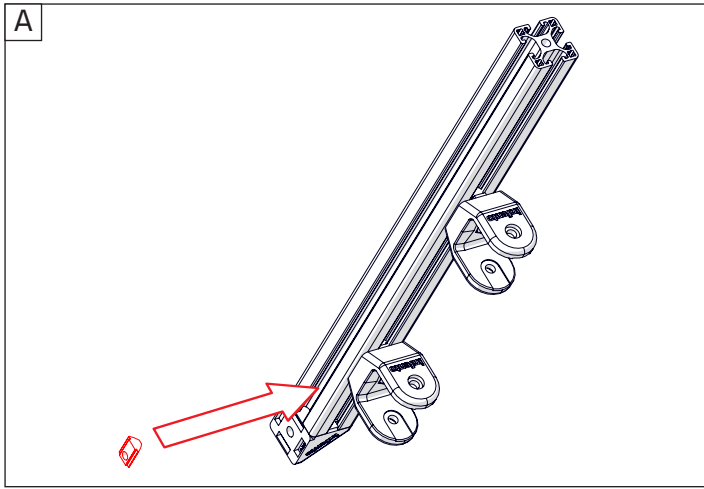




# 30

ride **BOOSTER**





- |  |    |  |    |   |    |
|--|----|--|----|---|----|
|  | +  |  | +  |  |    |
| Profile nut short  | 1x | Bolt M8x20<br>(low head)   | 2x | T-Positioning block   | 2x |

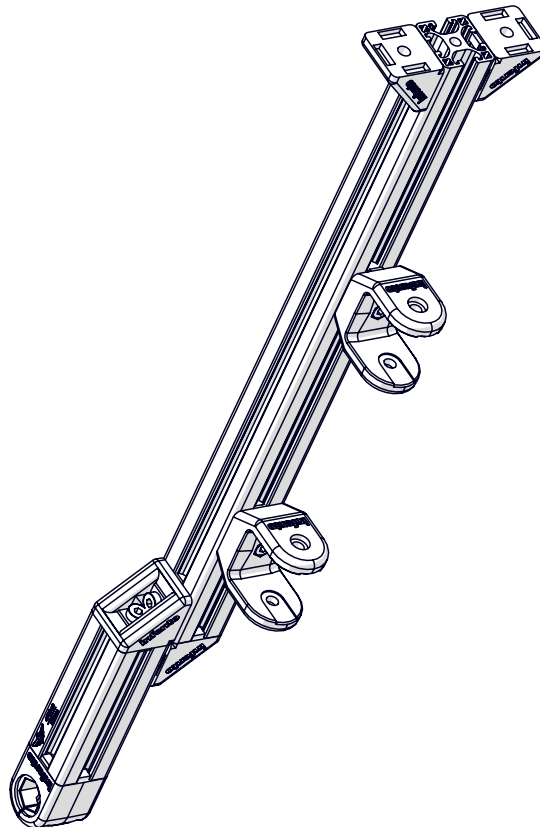
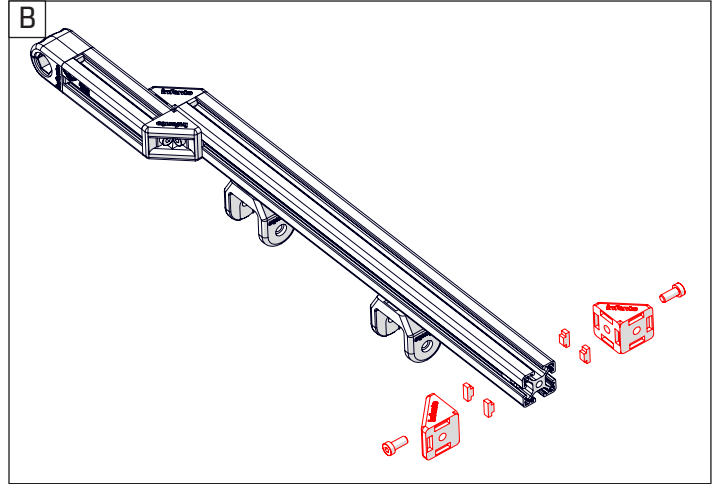
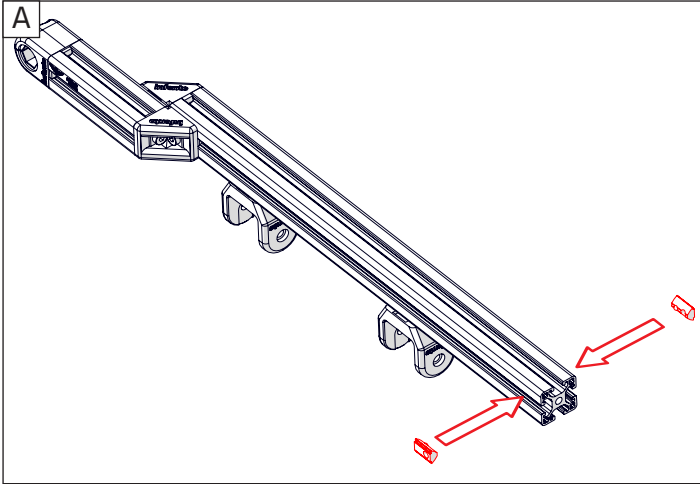




31

ride **BOOSTER**






- |   |   |  |   |  |   |  |
|---|---|--|---|--|---|--|
|  | + |  | + |  | + |  |
| T-Positioning block   |   | Profile nut short  |   | Bolt M8x20 (low head)  |   | L-joint  |
| 4x  |   | 2x   |   | 2x   |   | 2x   |

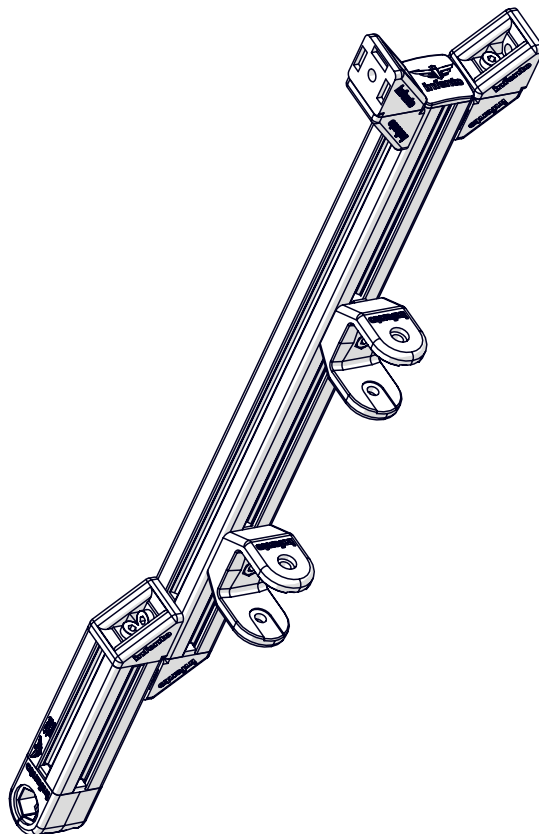
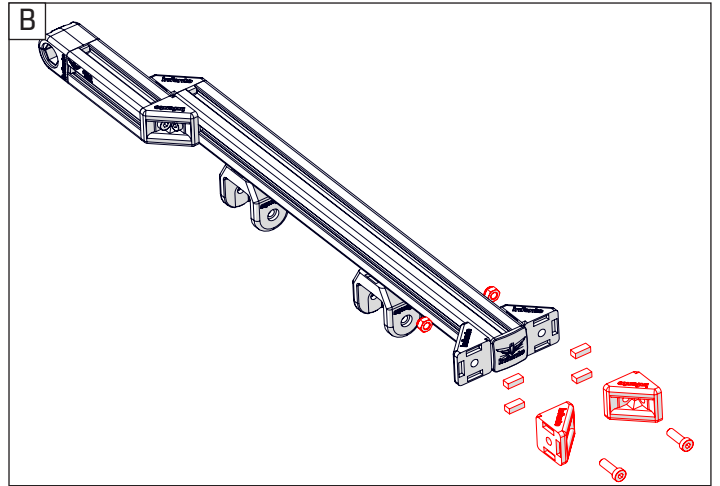
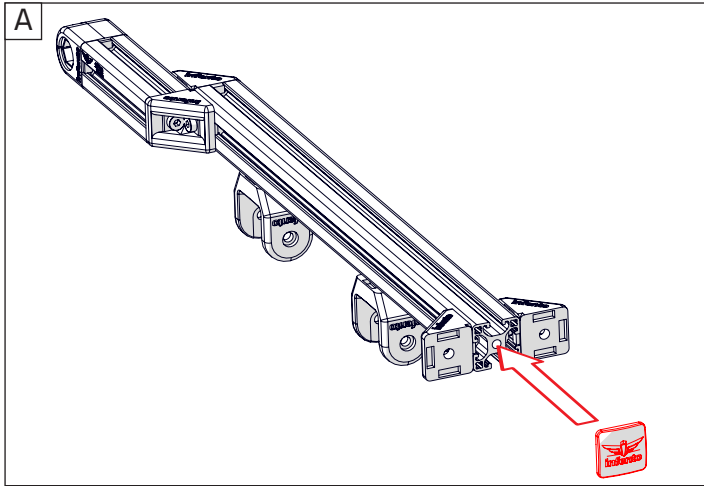




32

ride **BOOSTER**

-  4x  
Positioning block
-  2x  
Locknut M8
-  2x  
Bolt M8x25 (low head)
-  1x  
Protect cap
-  2x  
L-joint

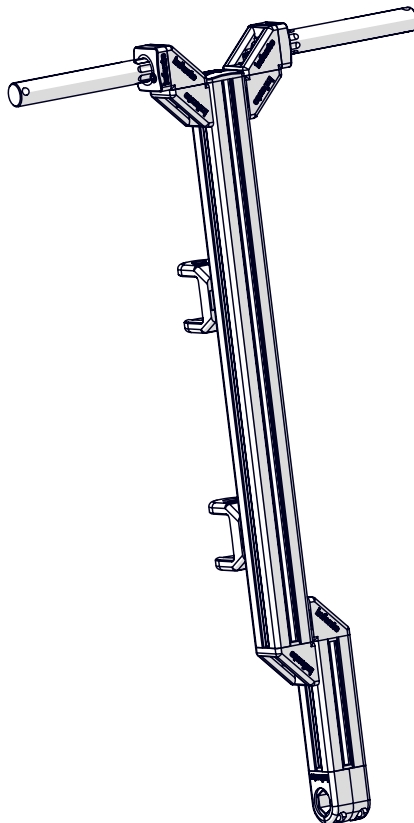
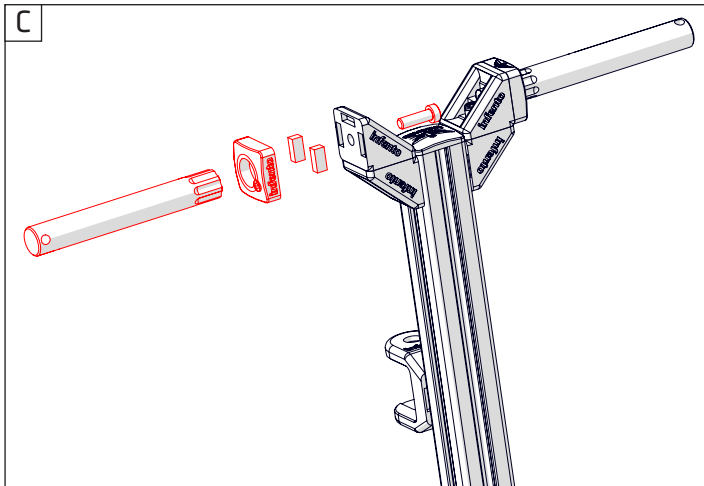
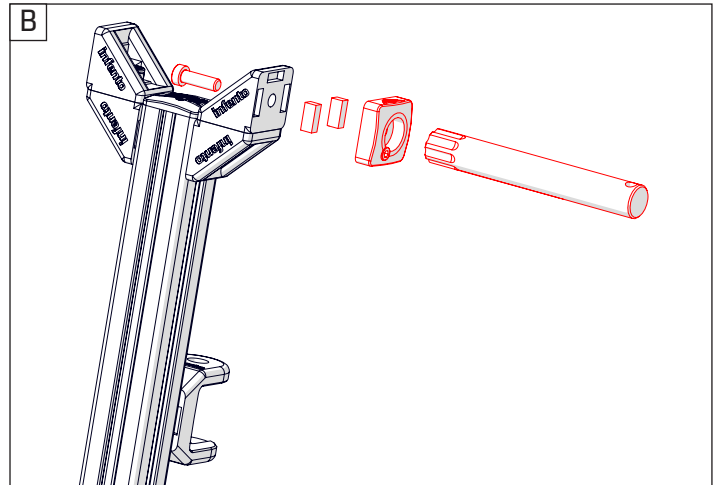




# 33

ride **BOOSTER**

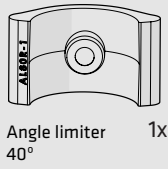
- Positioning block 4x
- Bolt M8x25 (low head) 2x
- Bolt M5x6 2x
- Handlebar short 2x
- Axle plate 2x





# 34

ride **BOOSTER**



Angle limiter 40° 1x



Locknut M8 1x



Positioning block 2x



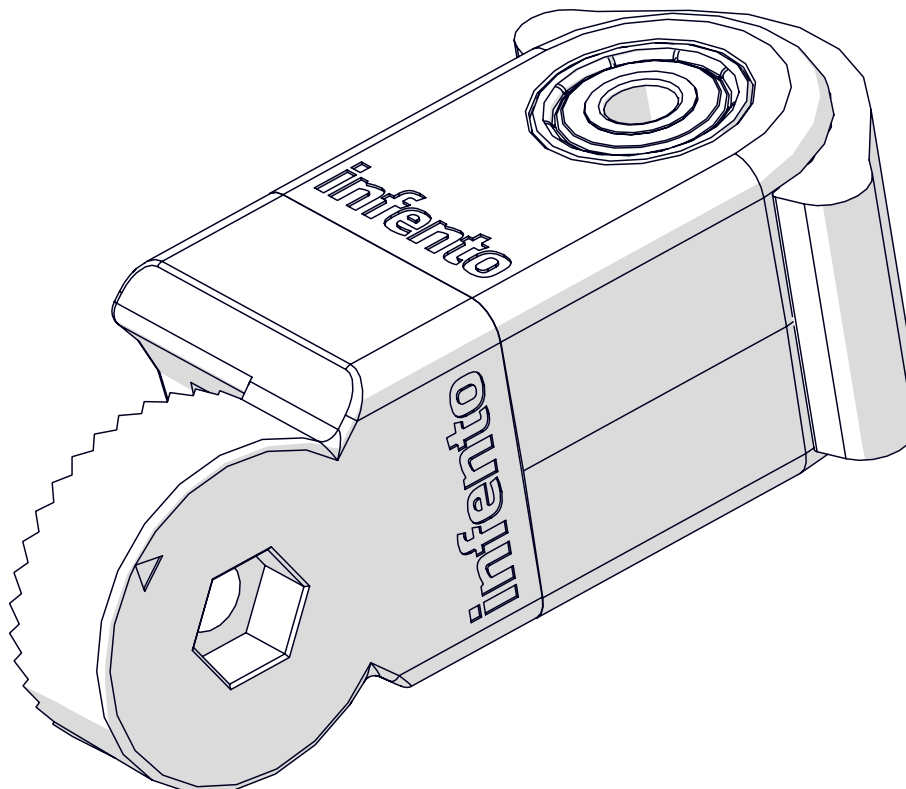
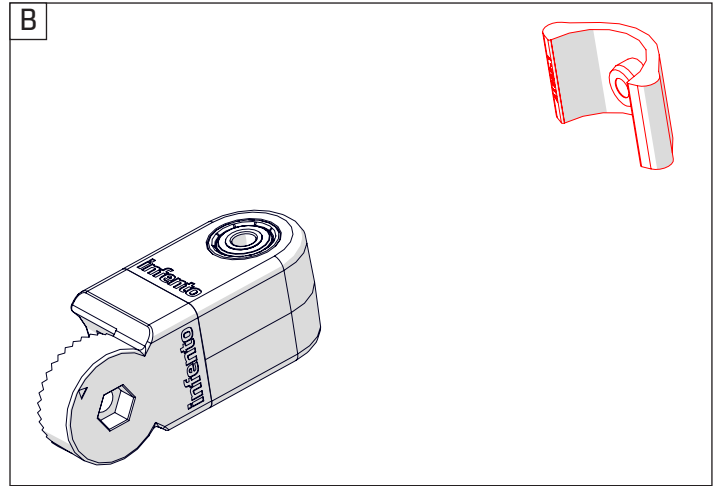
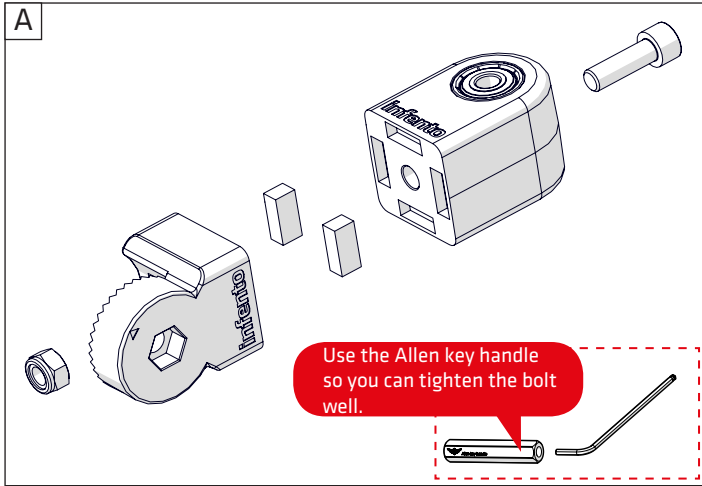
Bolt M8x25 1x



Bearing block 40x40\_8 1x



Multi angle joint 1x





# 35

ride **BOOSTER**



1x

Locknut M8

+



1x

Bolt M8x60

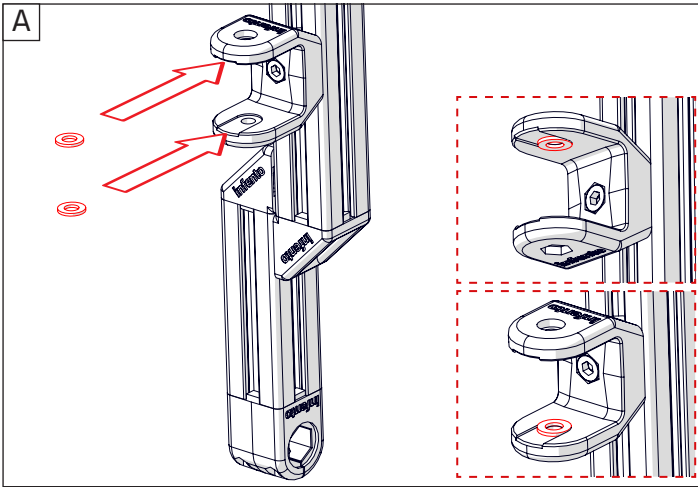
+



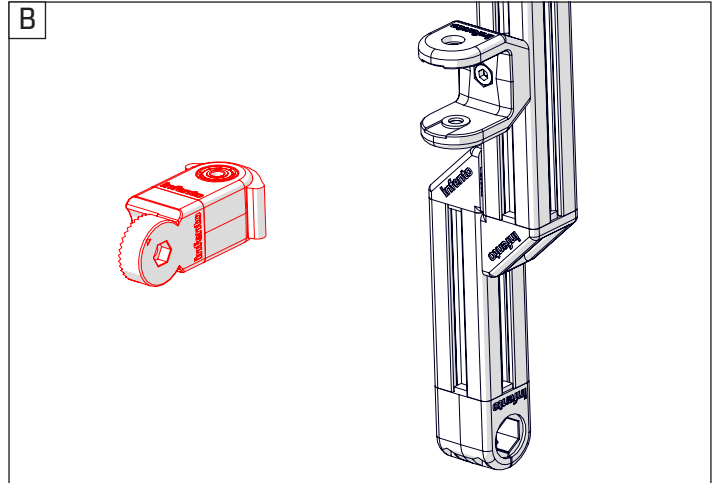
2x

Washer M8-16

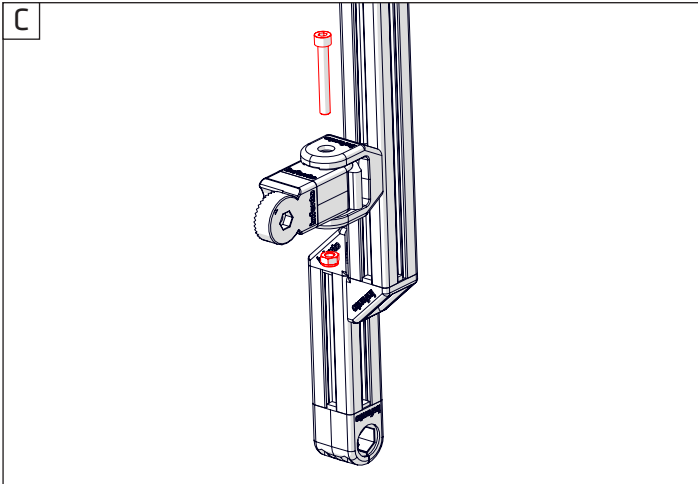
A



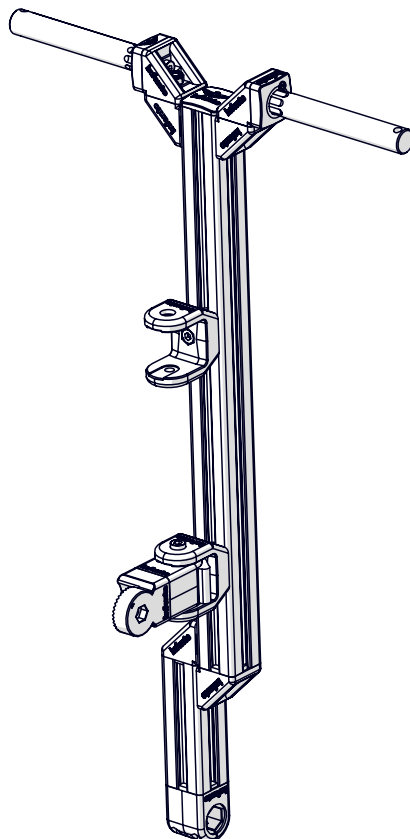
B



C



Between the U-block and the block bearing there have to be two washers. They ensure that there is space between the two blocks. Without it, the blocks would rub against each other, damage and twist heavily. With washers the gap is filled perfectly and you can tighten them securely.

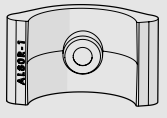






36

ride BOOSTER



Angle limiter 40° 1x



Locknut M8 1x



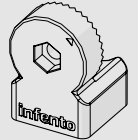
Positioning block 2x



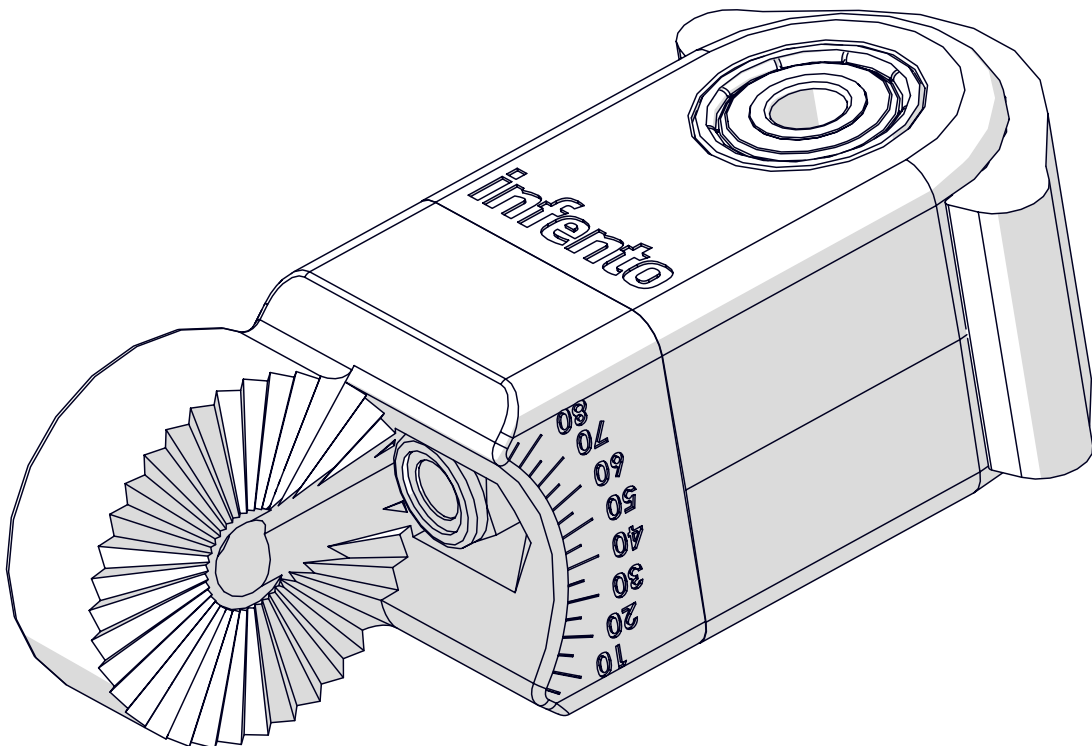
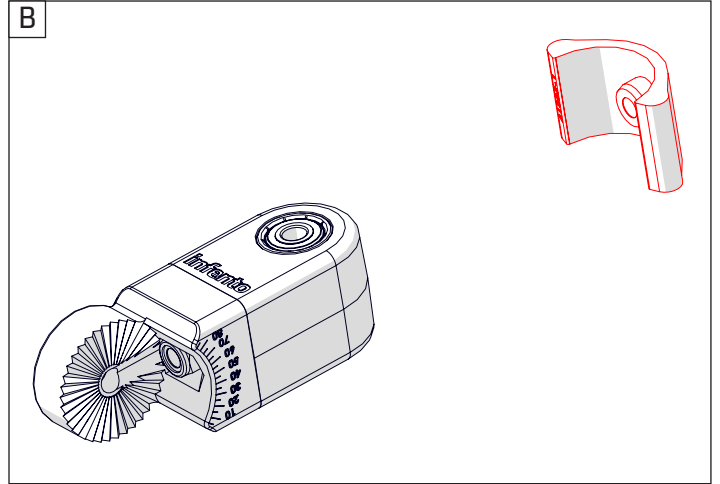
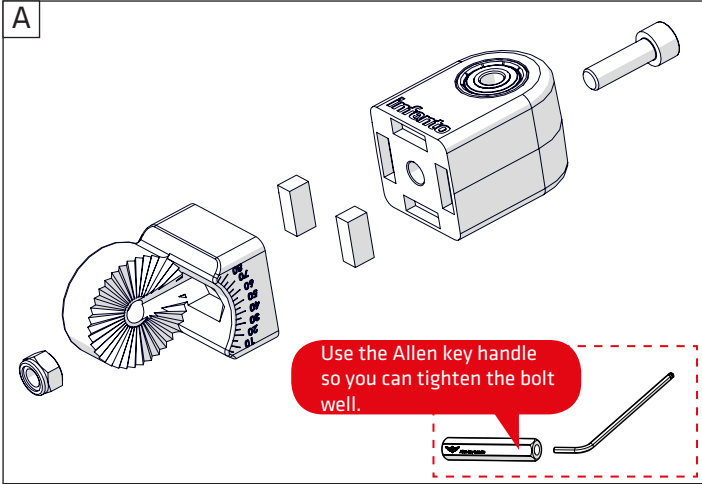
Bolt M8x25 1x



Bearing block 40x40\_8 1x



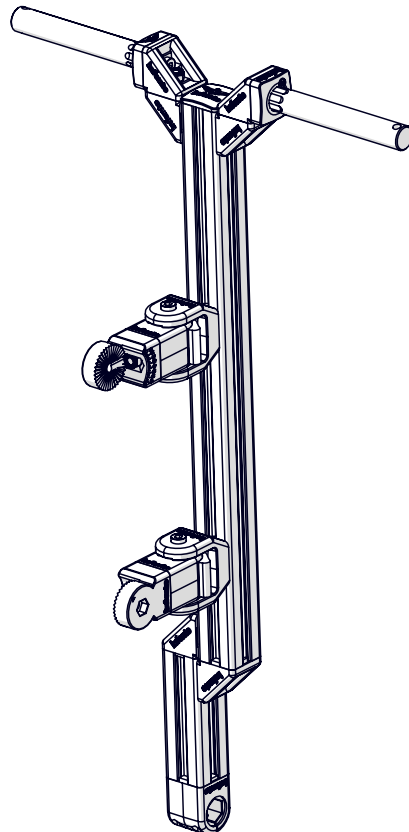
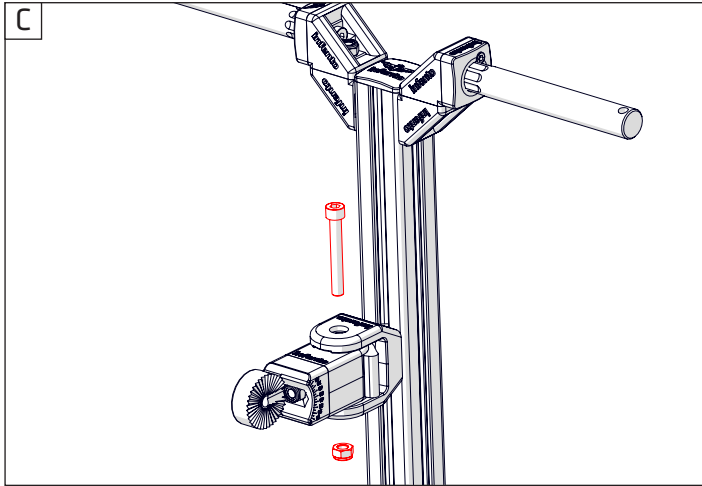
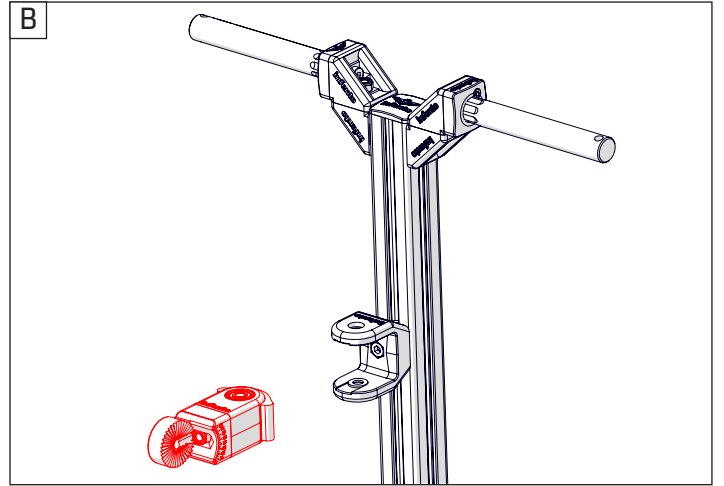
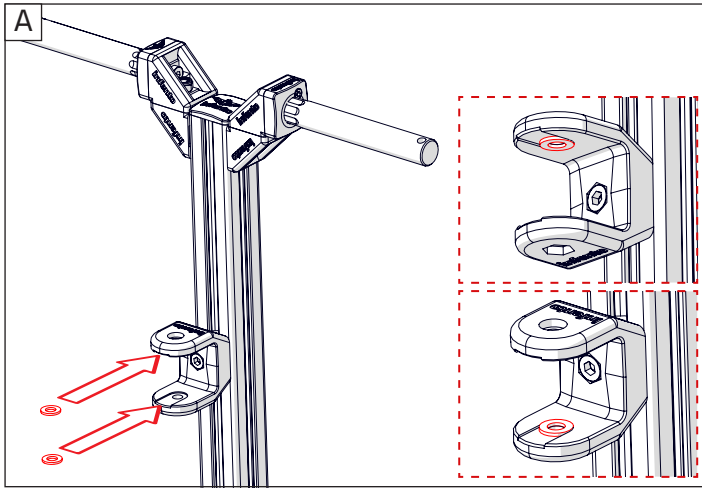
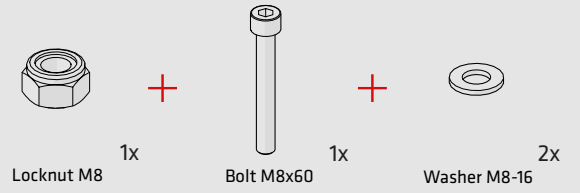
Multi angle joint 1x





# 37

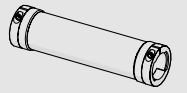
ride **BOOSTER**



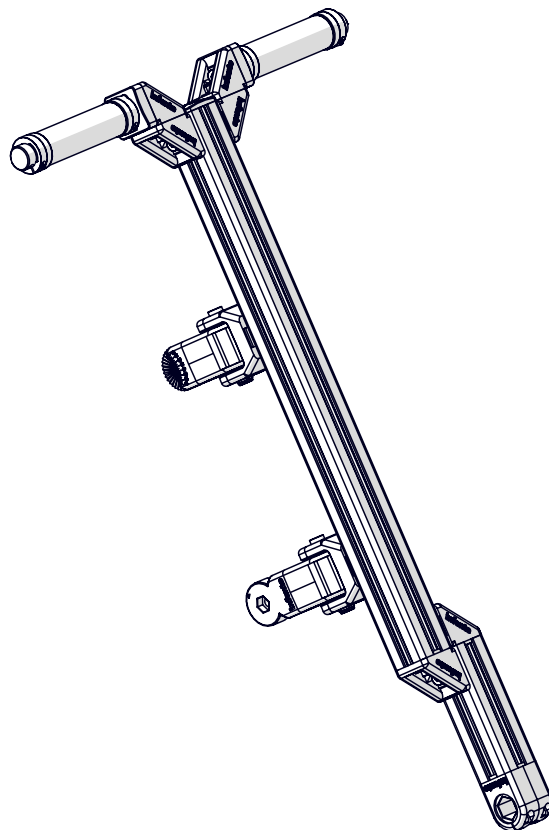
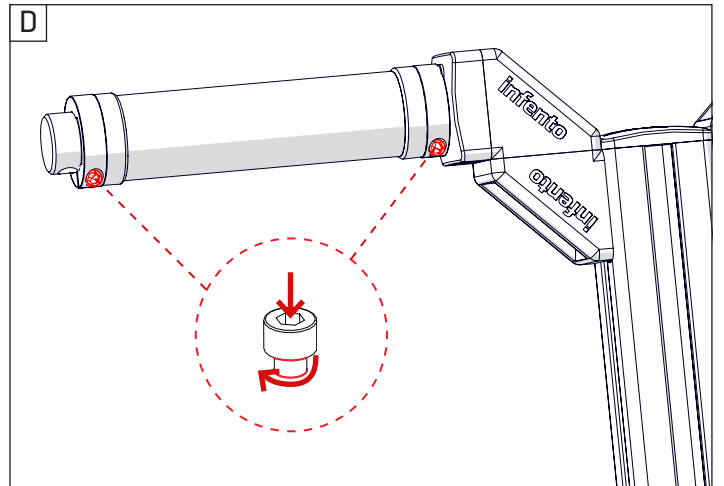
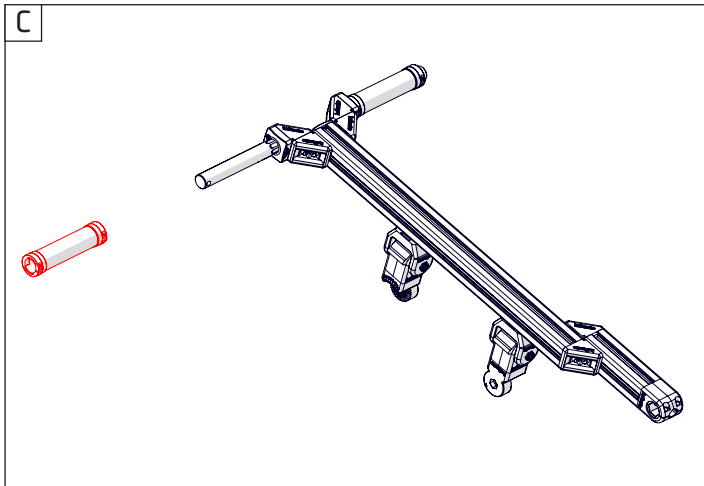
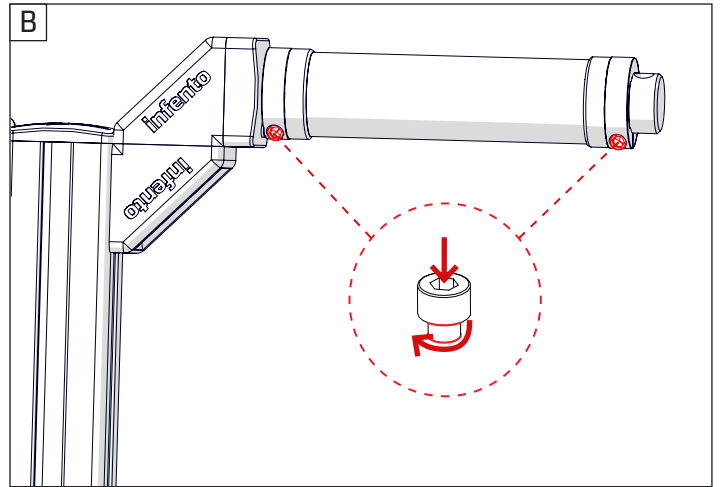
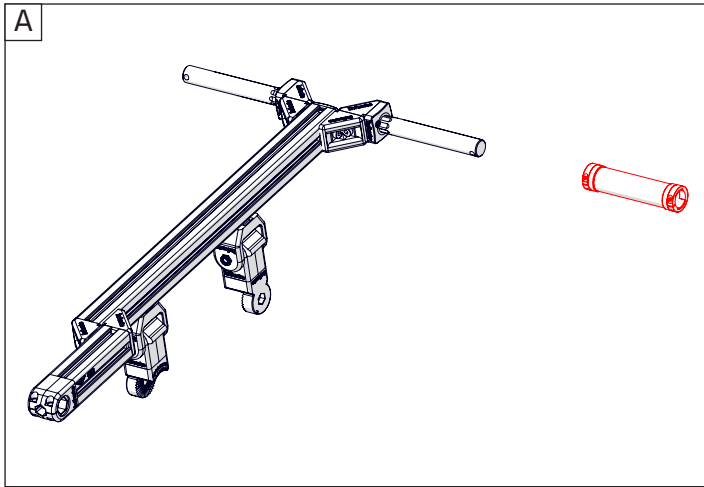


# 38

ride **BOOSTER**








2x  
Handgrip

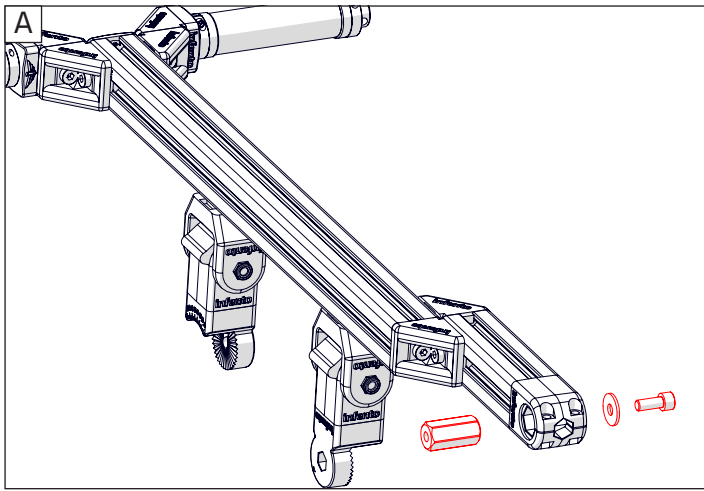







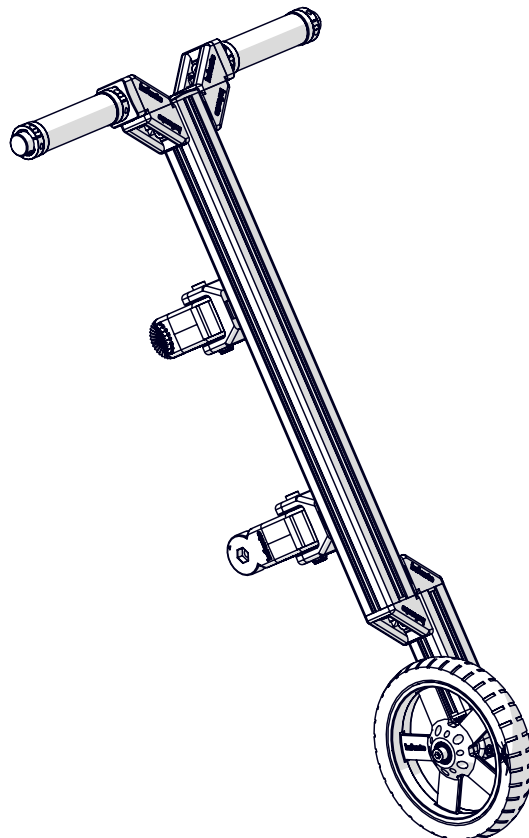
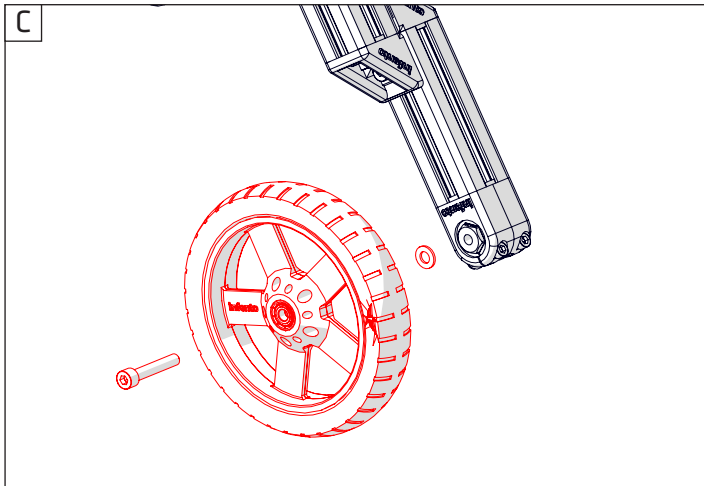
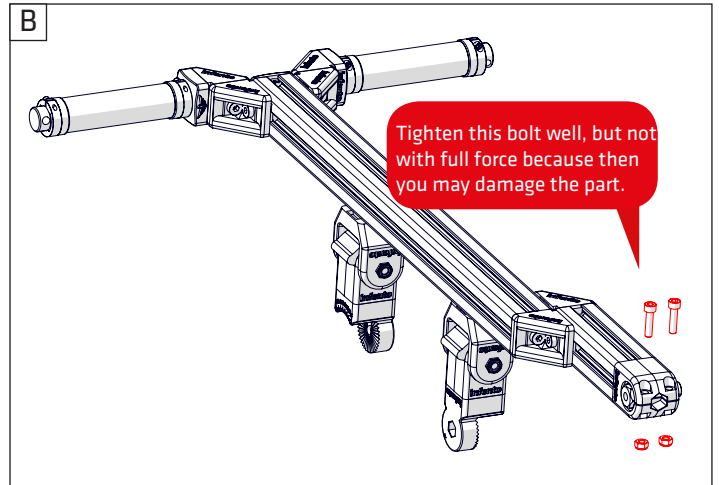
# 39

ride **BOOSTER**

-  2x
-  2x
-  1x
-  1x
-  1x





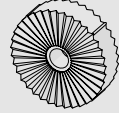

-  1x
-  1x
-  1x

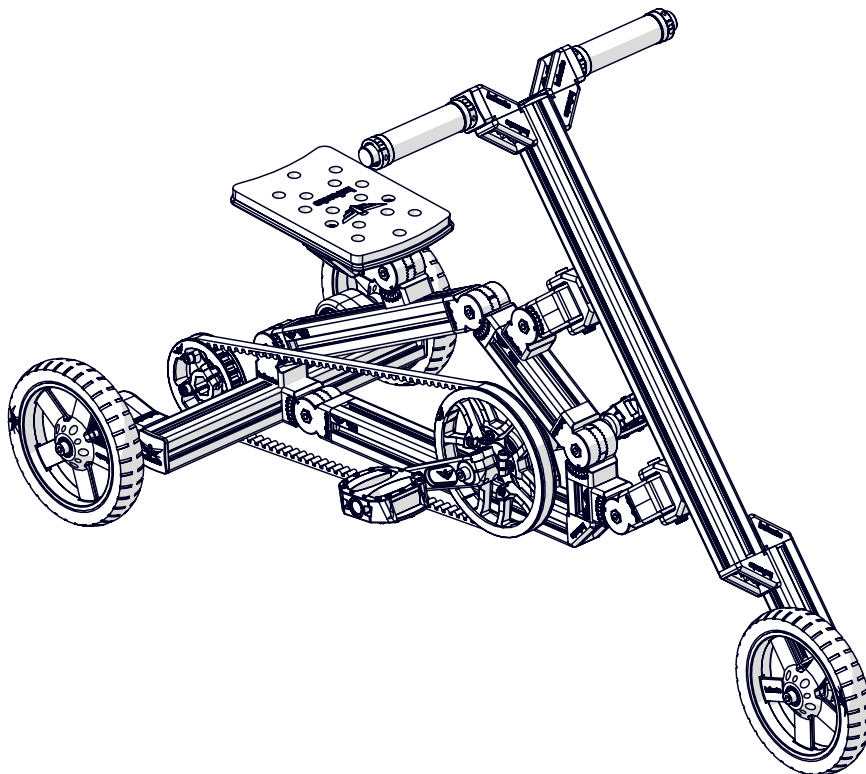
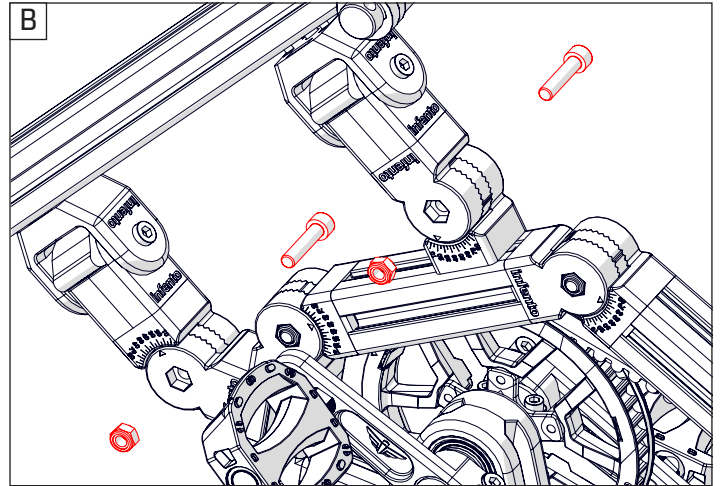
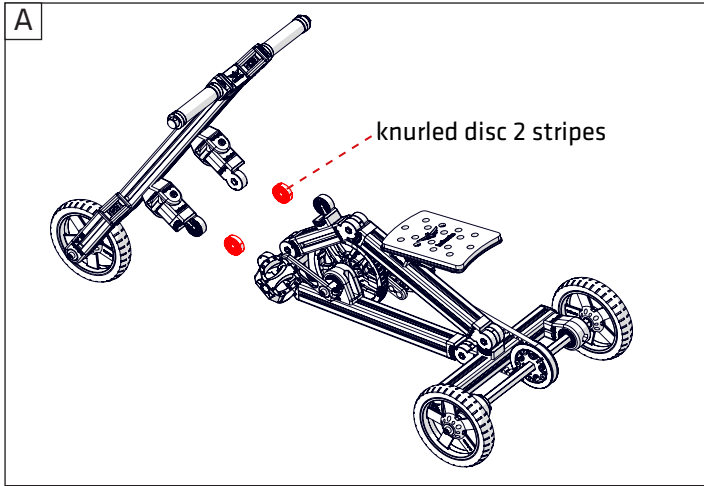




# 40

ride **BOOSTER**

-  2x
  - +
  -  2x
  - +
  -  1x
  - +
  -  1x
- Bolt M8x35      Locknut M8      Knurled disc 1 stripe      Knurled disc 2 stripes



# BOOSTER<sup>G1</sup>



THANK YOU FOR READING ME!