

**2-5**  
YEARS

# TRIMAX

CONSTRUCTION MANUAL



<b>Length</b>	88 - 113 cm
<b>Max weight</b>	20 kg
<b>Time to build</b>	90 min



World's first real constructible rides



**WARNING - IMPORTANT NOTICE TO PARENTS**

Before you start constructing and use our product, please carefully read the following safety warning and download our manual from our website. This safety warning and manual contains important information relating to your child's safety. It is your responsibility to review this information with your child and make sure they are fully aware of all the warnings before they start riding. Failure to follow instructions and safety precautions can result in serious injury or death.

You can find a digital copy of the manual at the following web address:

**[www.infentorides.com](http://www.infentorides.com)**



**WARNING**

**This Junior ride has to be assembled by an adult.**

**PLEASE PRINT OUT THE MANUAL AND KEEP THE MANUAL AND THIS **SAFETY WARNING** IN A SAFE LOCATION FOR FUTURE REFERENCE.**

# SAFETY SECTION



## **WARNING! PARENTAL SUPERVISION AND APPROPRIATE USE**

Like any moving product, rides made from Infento parts can be dangerous if due care and attention is not paid. To reduce the risk of serious injury: use only under close adult supervision. Parents must review the following warnings and instructions with each Infento ride that is being built. It is your responsibility to review this information and make sure that all riders understand all warnings, cautions, instructions and safety topics, and assure that young riders are able to safely and responsibly use this product. Infento recommends that you periodically review and reinforce the information in this manual with younger riders, and that you inspect and maintain your child's Infento rides to insure their safety.

## **WARNING! RIDING ON INFENTO RIDES CAN BE A DANGEROUS ACTIVITY**

Riding on Infento rides can be a dangerous activity. Certain conditions may cause the equipment to fail without fault of the manufacturer. Rides made from Infento parts can and are intended to move, and it is therefore possible to lose control, fall off and/or get into dangerous situations that no amount of care, instruction or expertise can eliminate. If such things occur you can be seriously injured or die, even when using safety equipment and other precautions. Ride at your own risk and use common sense.

## **WARNING! NO LIABILITY FOR CONSTRUCTED RIDES THAT DIFFER FROM OUR MANUALS**

The rides that you can find in our manuals have been tested by official independent testing agencies. We will not be responsible or liable, directly or indirectly, in any way for any loss or damage of any kind incurred as a result of your decision to build constructions or rides that differ from the official rides that we show in our manuals.

### ASSEMBLY – SUBSECTION

## **WARNING! OUR KITS CONTAIN SMALL PARTS**

This package contains small parts which, before assembly, present a choking hazard to children under the age of three. Care should be taken

during unpacking and assembly to insure that all small parts and plastic bags are accounted for and kept out of the reach of children.

## **WARNING! TO AVOID SERIOUS INJURY:**

1. Construction/assembly of a ride should always be under supervision of an adult using the Infento manual for the specific ride.
2. All fasteners (bolts and nuts) should be fully tightened.
3. It is the responsibility of the adult who assembles this bicycle to properly install all parts included in the factory sealed shipping carton and to make the adjustments to the functional parts such as handle bar and seat and chain when necessary.

### USE – SUBSECTION

## **WARNING! TO AVOID SERIOUS INJURY:**

1. Continuous adult supervision is required.
2. Only ride constructed rides that have been built according to the instructions given in the official Infento manual.
3. Never exceed the maximum weight. You can find the maximum weight for every specific ride in our manual.
4. Always check the manual to see the minimum and maximum age as well as the minimum and maximum length for every specific ride.
5. Always wear safety equipment such as a helmet, knee pads and elbow pads. We recommend riders always wear a properly fitted helmet that complies with local or national guidelines or laws. Keep chinstrap of helmet securely buckled.
6. Always wear closed toed shoes (lace-up shoes with rubber soles), never ride barefooted or in sandals, and keep shoe laces tied and out of the way of the wheels.
7. Avoid streets and surfaces with water, sand, gravel, dirt, leaves, and other debris. Wet weather impairs traction, braking and visibility.
8. Excessive exposure to sunlight, temperatures below 0 degrees Celsius, water, sand, gravel, dirt, leaves, and other debris can damage, shrink, expand or weaken parts. Keep your ride in a dry environment with proper heating.
9. Avoid sharp bumps, drainage grates and sudden surface changes. Your Infento ride may suddenly stop.
10. Ride on smooth, paved surfaces away from

motor vehicles. Wet, slick or uneven and rough surfaces may impair traction and contribute to possible accidents.

11. Never risk damaging surfaces, such as carpet or flooring, by use of an Infento ride indoors.
  12. Never use near motor vehicles, streets, roadways, alleys, swimming pool areas, hills, steps, sloped driveways, inclines and public highways.
  13. Watch out for pedestrians, skaters, skateboards, scooters, bikes, children or animals who may enter your path, and respect the rights and property of others.
  14. Avoid excessive speed associated with downhill rides.
  15. Do not use at night or in periods with reduced visibility.
  16. Before every use, please make sure that the complete ride and all joints have been assembled tightly, as with use, joints may wear out.
  17. Before using your Infento ride, please check that the screws are tightened securely.
  18. It's your own responsibility if you modify the product other than manufacturer's instructions.
  19. Maintain a hold on the handlebars at all times.
  20. Brake will get hot from continuous use. Do not touch after braking.
  21. Periodically check hardware and tighten if necessary. Replace worn or broken parts immediately.
  22. Skill is required to avoid falls or collision causing injury to the user and third parties.
  23. Check operation of breaks every time before bicycle is ridden.
  24. Check local laws before you start with riding.
  25. Never tow wagons, other vehicles, or children on skates or skateboards.
  26. Make certain that anyone who uses an Infento ride has been fully instructed in its operation.
  27. Instruct your child on how to use the breaks.
  28. Do not perform stunts.
  29. Never use headphones or a cell phone when riding.
  30. Only one rider at a time on an Infento ride.
  31. Do not allow children to stand on the product at any time.
- FAILURE TO USE COMMON SENSE AND HEED THE ABOVE WARNINGS INCREASES RISK OF SERIOUS INJURY. USE WITH APPROPRIATE CAUTION AND SERIOUS ATTENTION TO SAFE OPERATION.**

# SAFETY SECTION



## OUR KITS CONTAIN SMALL PARTS

This package contains small parts which, before assembly, present a choking hazard to children under the age of three. Care should be taken during unpacking and assembly to insure that all small parts and plastic bags are accounted for and kept out of the reach of children.

## QUESTIONS OR SUPPORT NEEDED?

You can mail us all your questions at:  
**[support@infentorides.com](mailto:support@infentorides.com)**  
and our team will reply you as soon as possible.



# MAINTENANCE | INSTRUCTION



1. Oil or grease moving parts periodically.
2. Check nuts and bolts often and tighten if necessary.
3. Any parts showing evidence or wear should be replaced immediately.
4. Follow closely the assembly instructions pertaining to the proper adjustments of parts
5. Periodically check the brake system for proper function
6. Periodically check the steering mechanism for proper function
7. Check the air pressure in the tires to be the amount specified in the manual
8. Periodically check the bicycle's tooth belt to be sure that it is not too loose which could allow the chain to slip off the sprockets.

## RECOMMENDED TOOLS



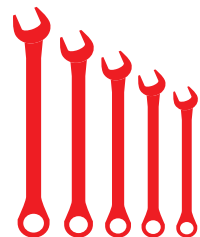
**4 x Allen key**  
3, 4, 5, 6 mm



**1 x Tapeline**



**1 x T-handle**  
for Allen key



**5 x Wrench**  
10, 13, 14, 15, 19 mm



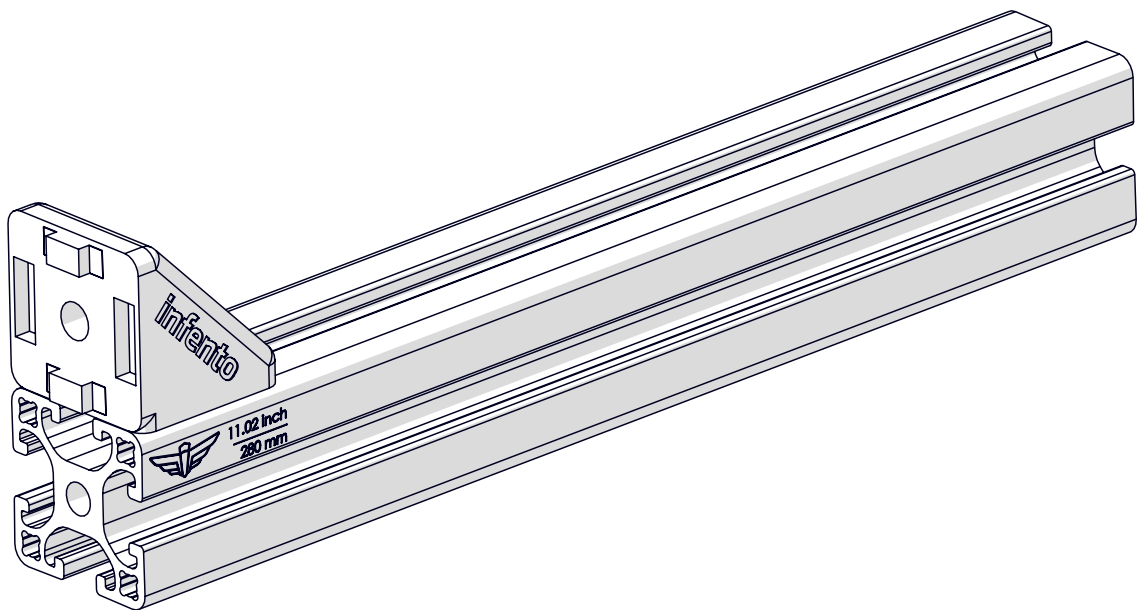
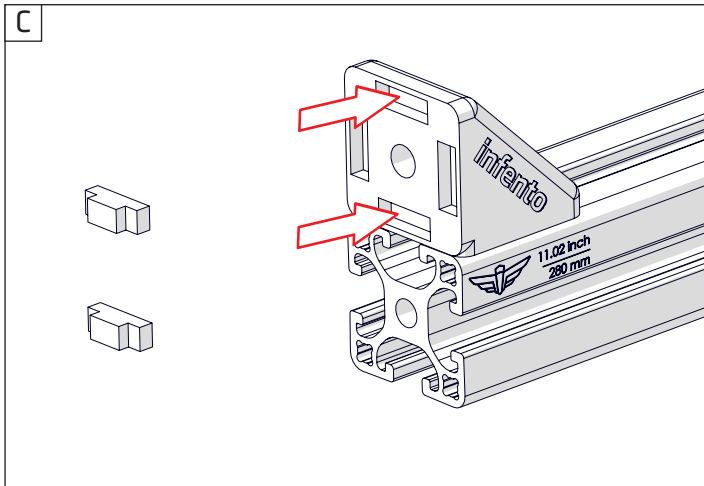
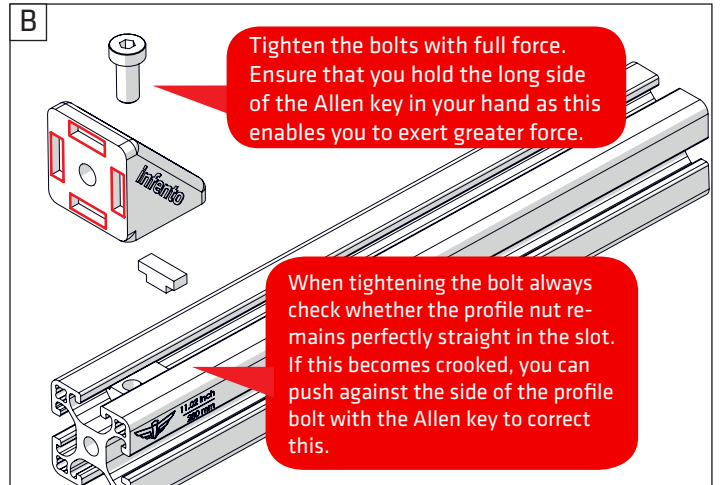
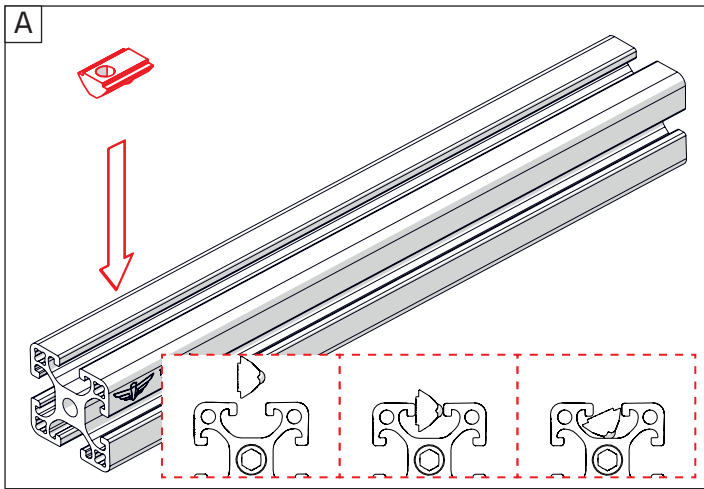


1

ride TRIMAX

First, get all required materials stated here and then follow the instructions.

- Profile nut short 1x
- T-Positioning block 3x
- Bolt M8x20 (low head) 1x
- L-joint 1x
- Profile 11.02inch | 280mm 1x

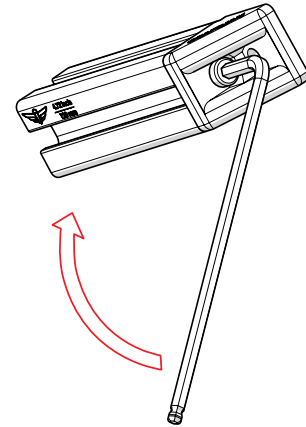


# TOP 3 REQUIREMENTS MAKING A GREAT INFENTO EXPERIENCE:



1

**Tighten bolts with full force (15Nm) to prevent them from coming loose.**



2

**Constructing and playing always under supervision of an adult.**



3


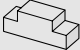

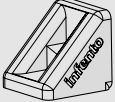
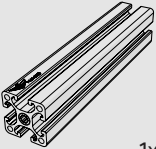
**Check frequently if all parts are still firmly tightened and function properly.**

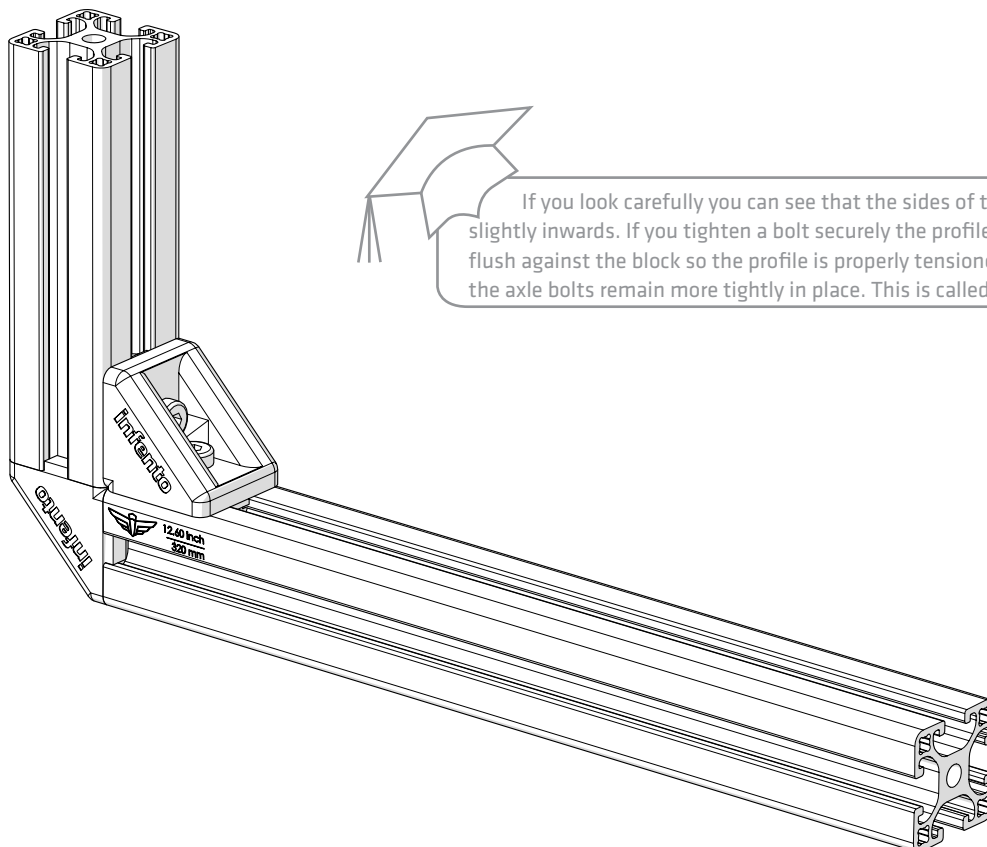
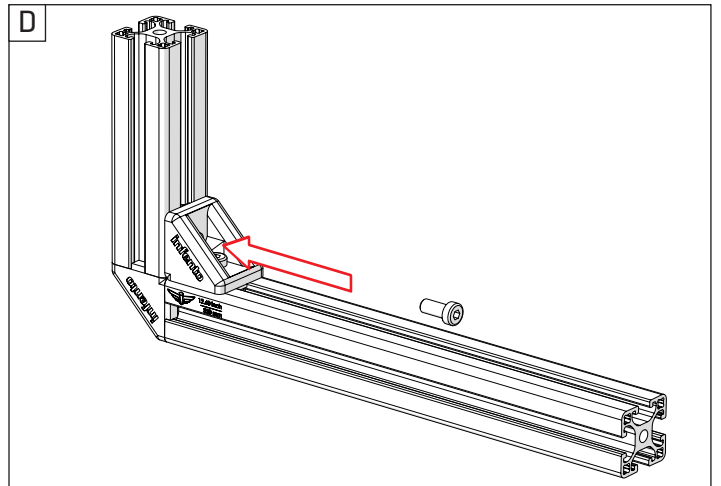
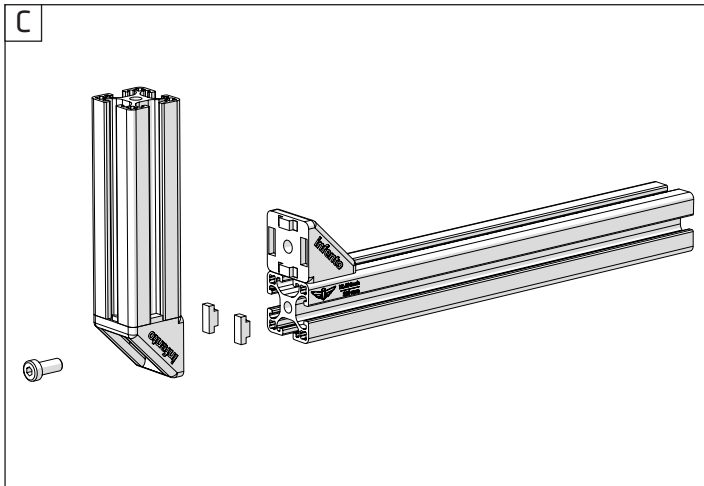
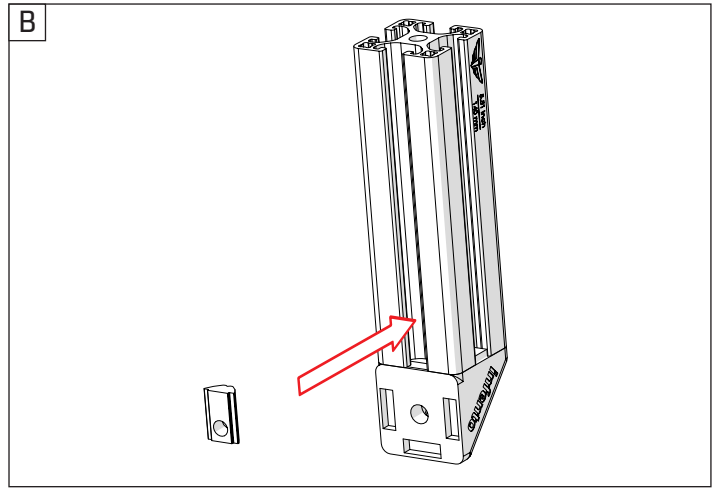
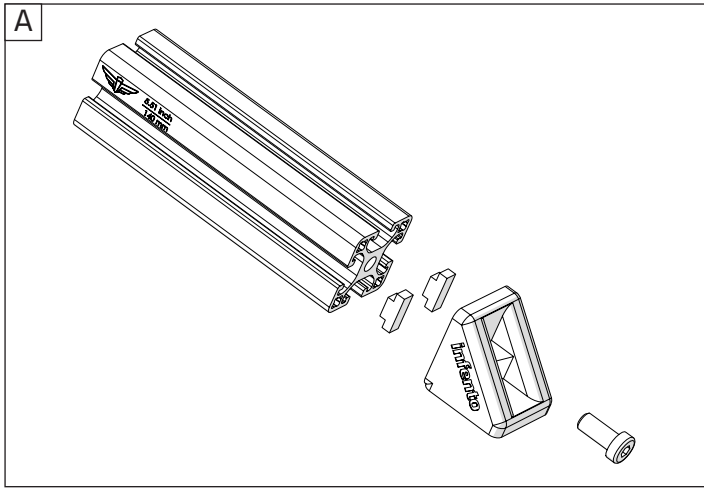




# 2

ride TRIMAX

-   
1x  
Profile nut short
- +
-   
4x  
T-Positioning block
- +
-   
3x  
Bolt M8x20  
(low head)
- +
-   
1x  
L-joint
- +
-   
1x  
Profile  
5.51inch | 140mm



If you look carefully you can see that the sides of the profile slope slightly inwards. If you tighten a bolt securely the profile will be pulled flush against the block so the profile is properly tensioned. As a result the axle bolts remain more tightly in place. This is called tensile stress.



3

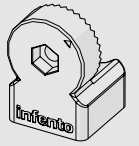
ride TRIMAX



+



+



6x

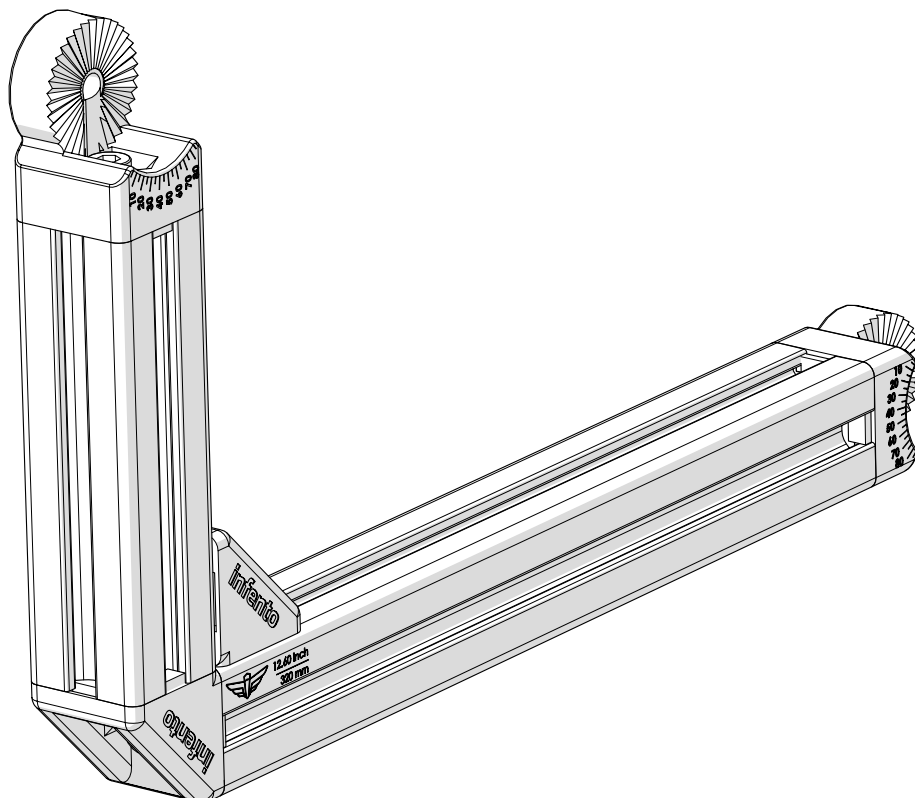
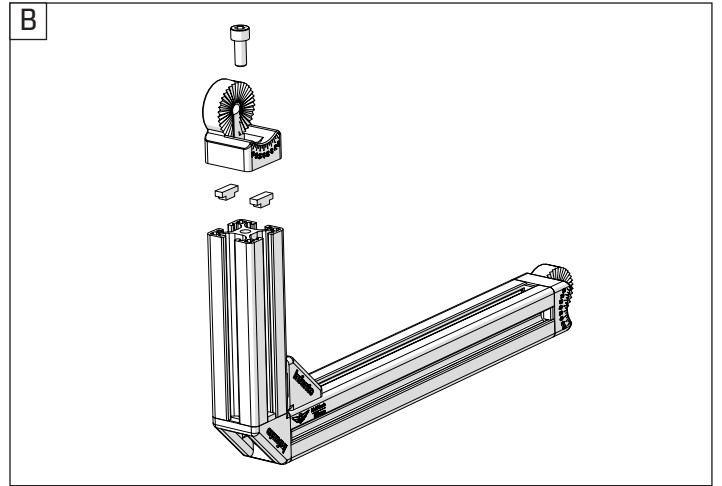
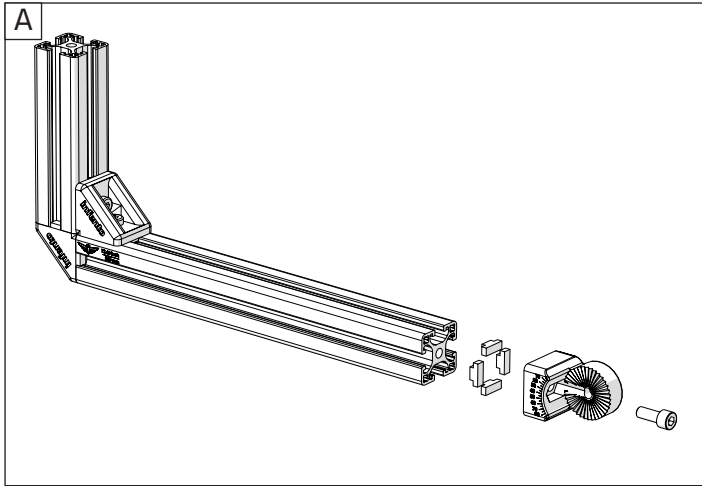
2x

2x

T-Positioning block

Bolt M8x20

Multi angle joint





4

ride TRIMAX

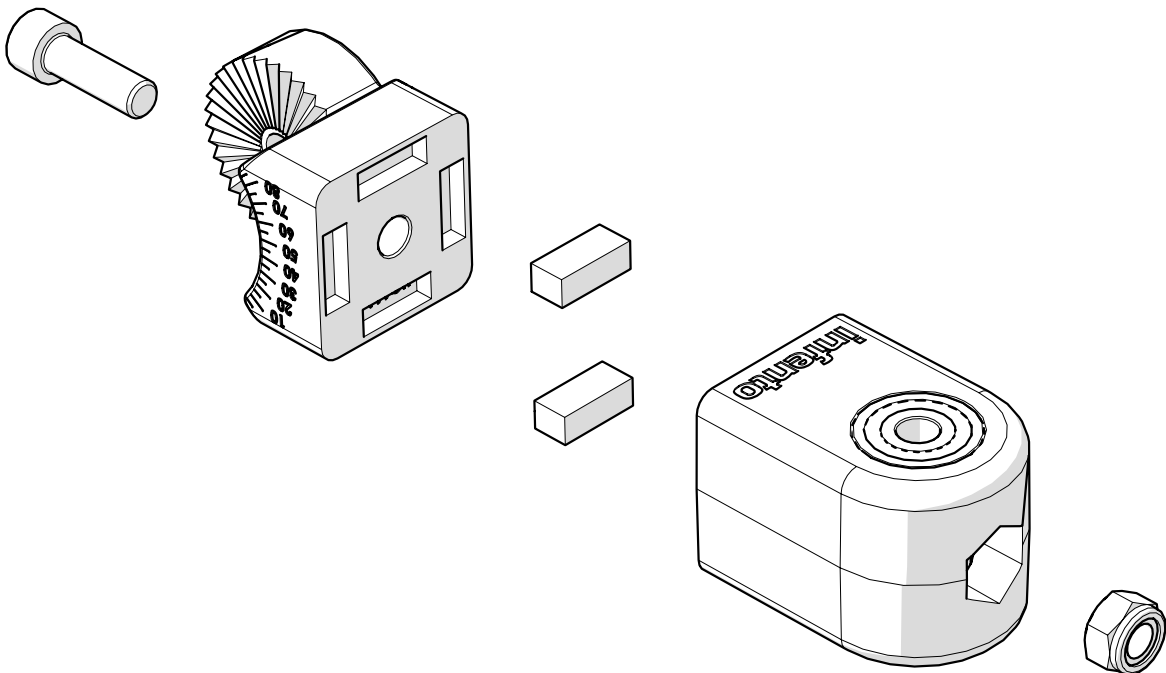
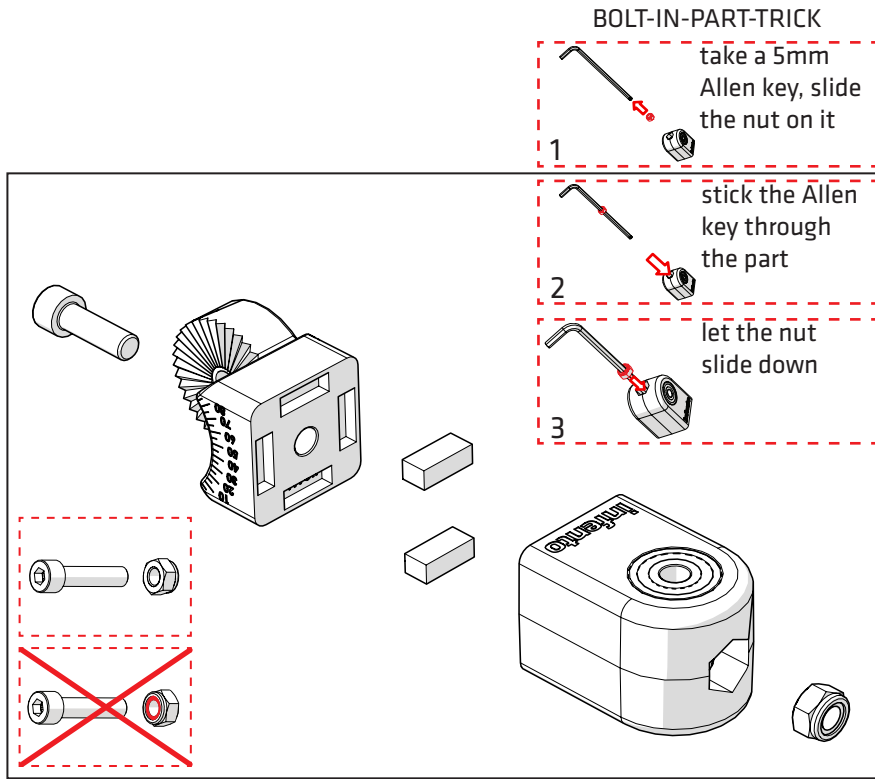
Locknut M8 1x

Positioning block 2x

Bolt M8x25 1x

Bearing block 40x40\_8 1x

Multi angle joint 1x





5

ride TRIMAX



1x

Locknut M8

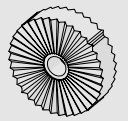
+



1x

Bolt M8x35

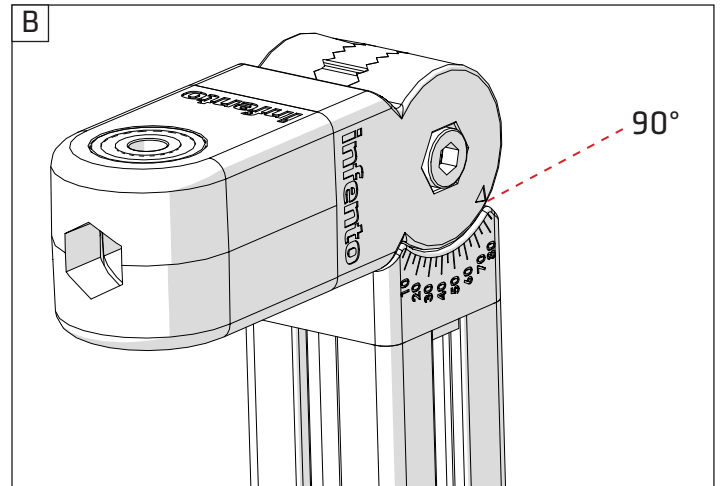
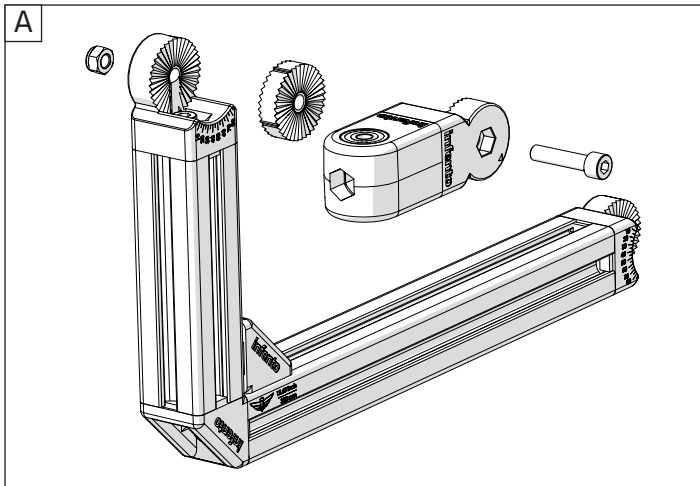
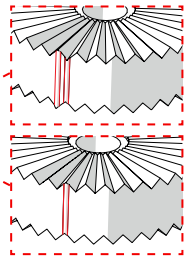
+



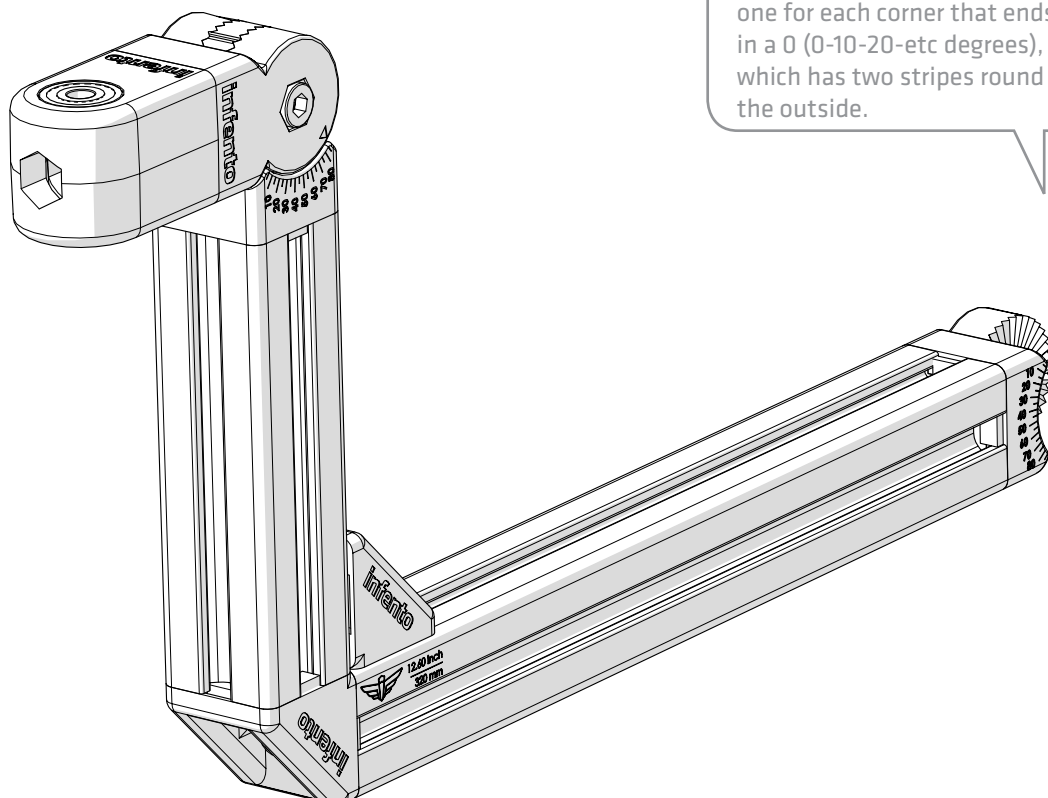
1x

Knurled disc 2 stripes

There are two types of knurled discs. Please see education section.



There are two different knurled discs. One for each corner ending in a 5 (5-15-25-etc. degrees), which has one stripe round the outside, and one for each corner that ends in a 0 (0-10-20-etc degrees), which has two stripes round the outside.

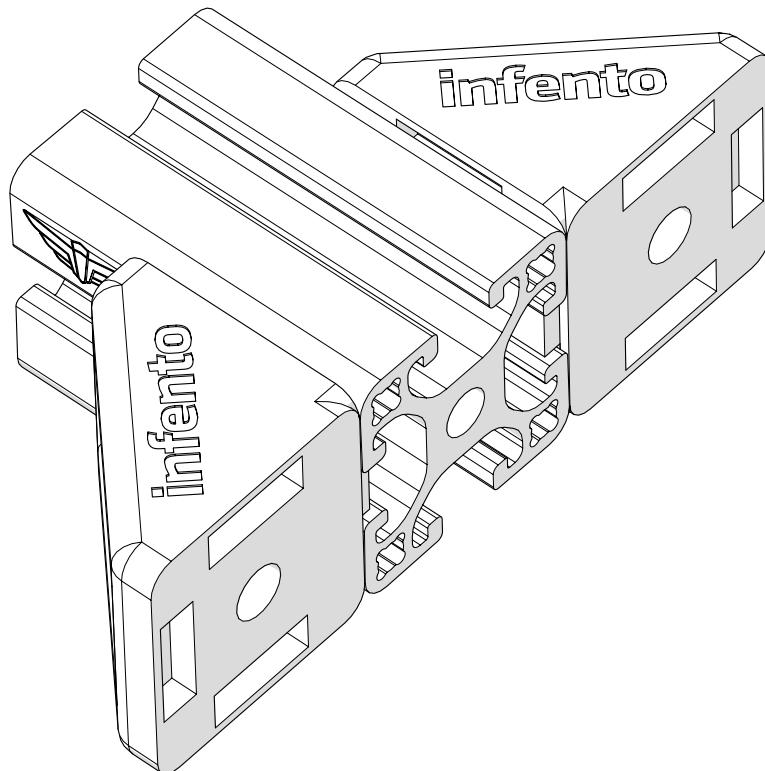
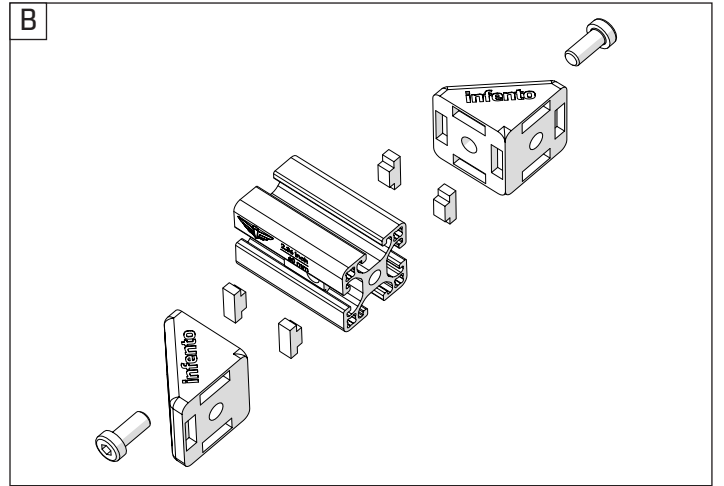
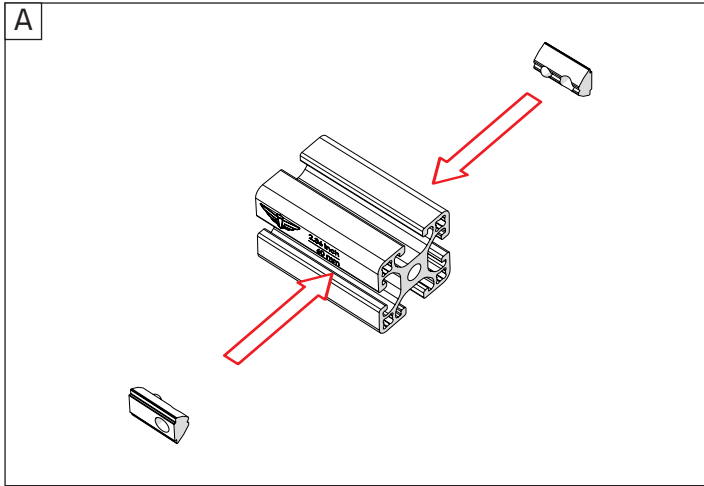




6

ride TRIMAX

- Profile nut short 2x
- T-Positioning block 4x
- Bolt M8x20 (low head) 2x
- L-joint 2x
- Profile 2.36inch | 60mm 1x




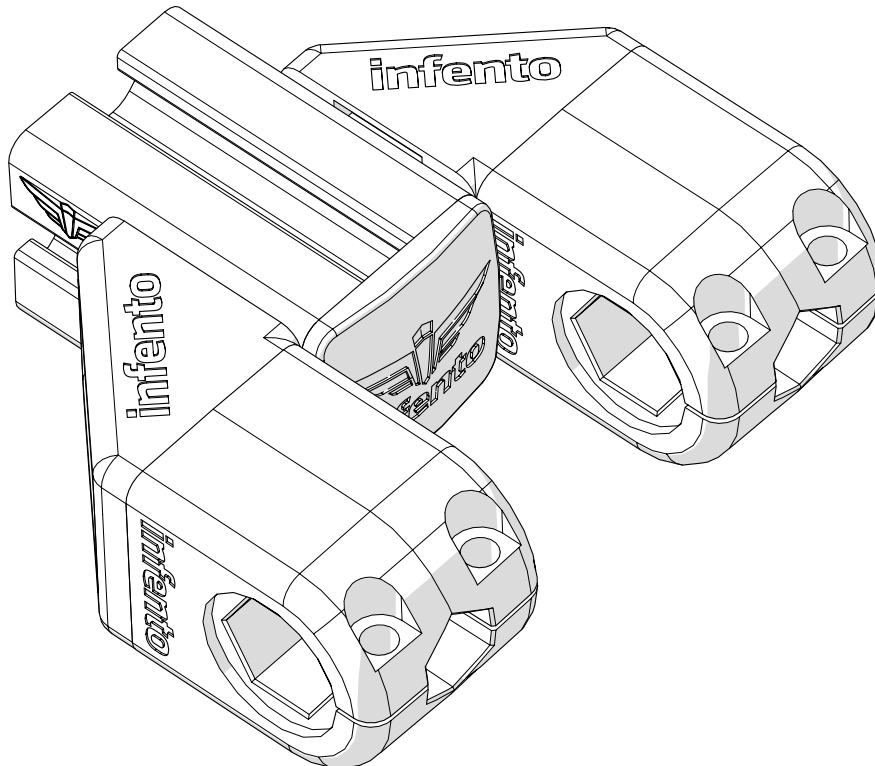
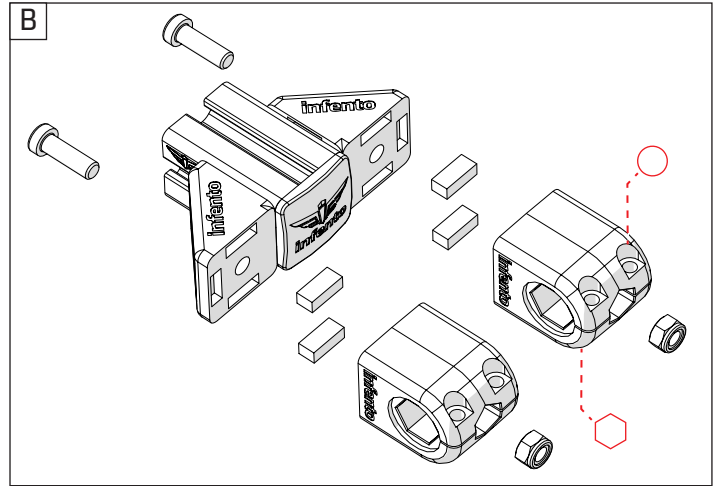
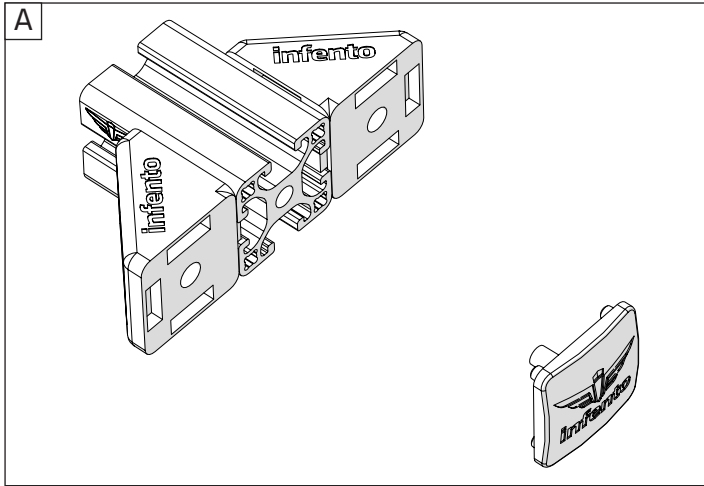




# 7

ride TRIMAX

-  4x
-  2x
-  2x
-  1x
-  2x





8

ride TRIMAX



+



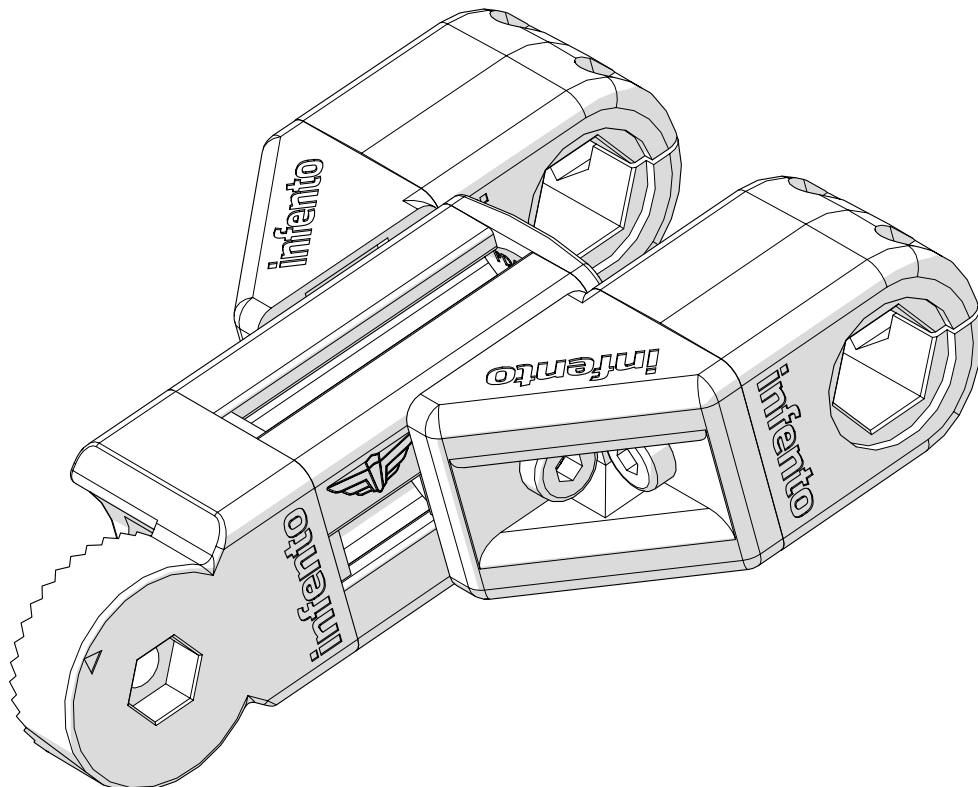
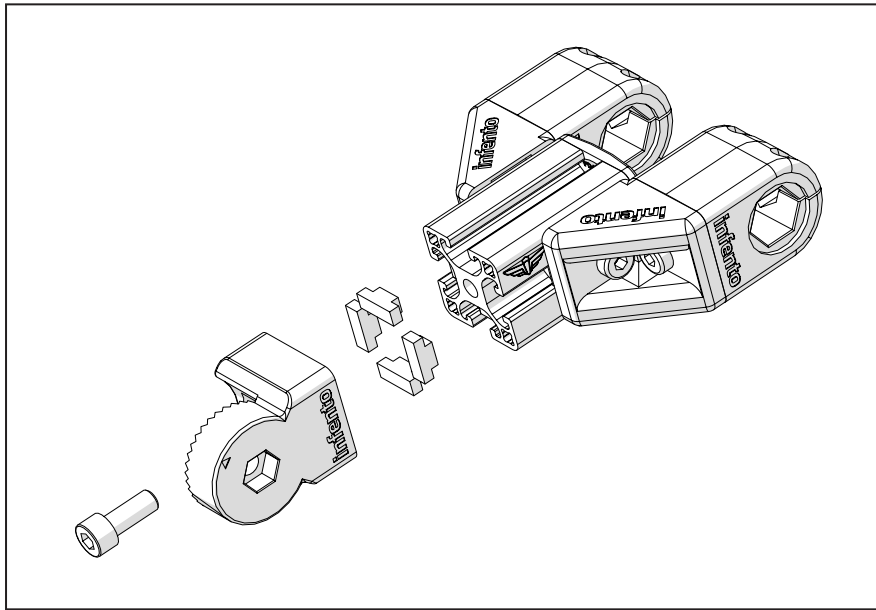
+



T-Positioning block  
4x

Bolt M8x20  
1x

Multi angle joint  
1x

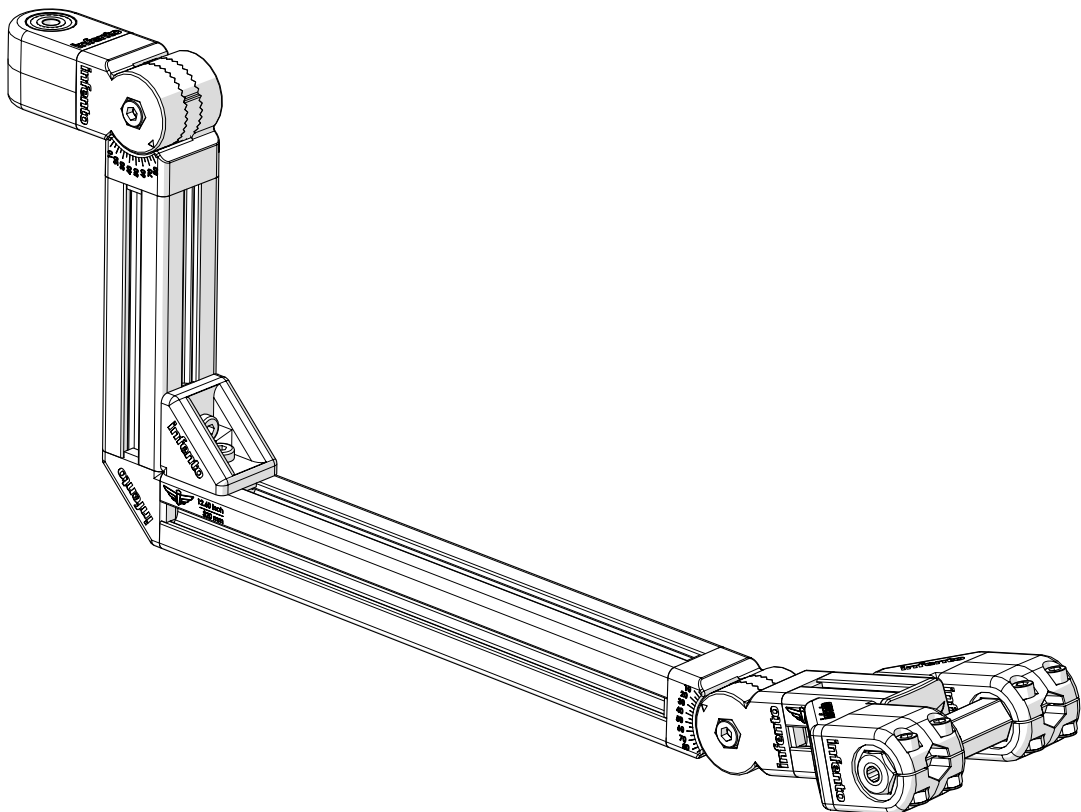
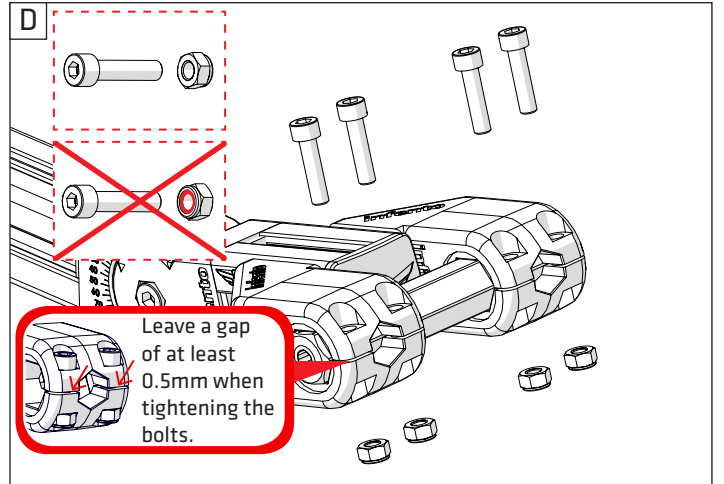
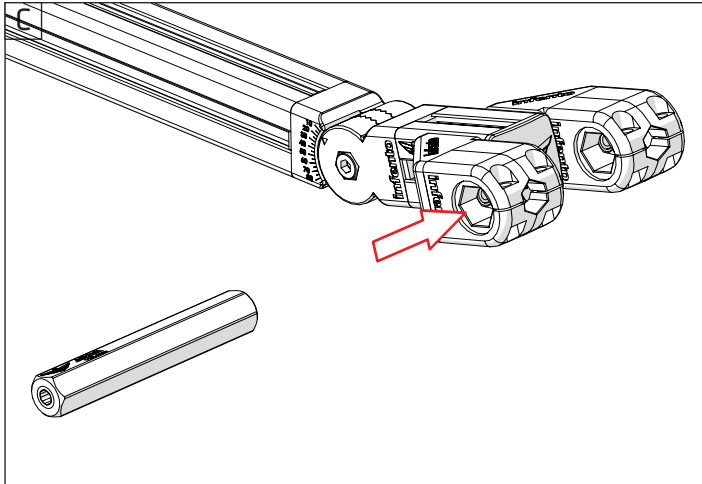
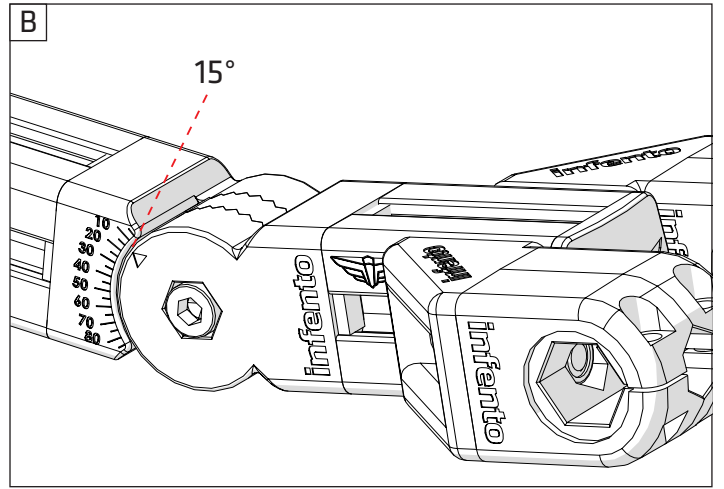
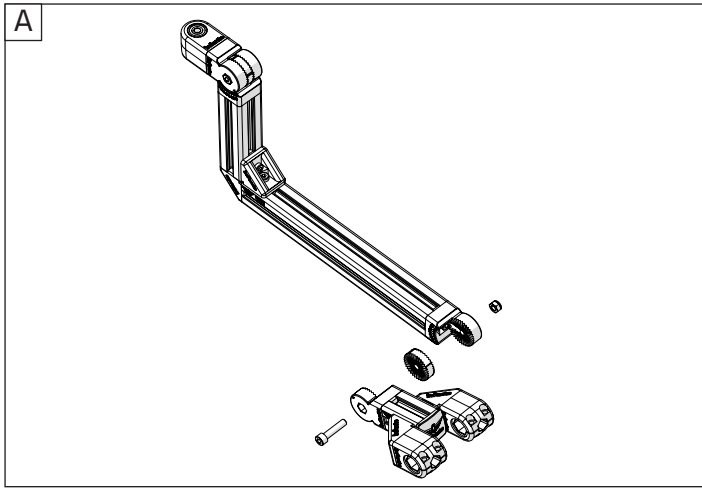




9

ride TRIMAX

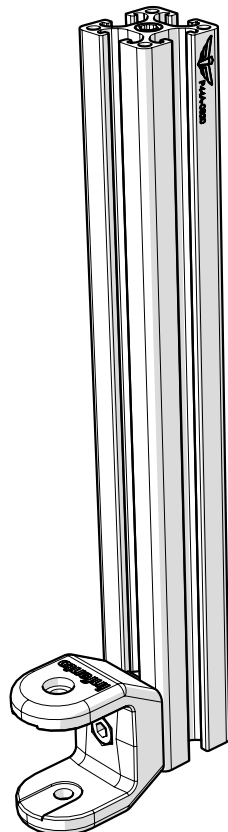
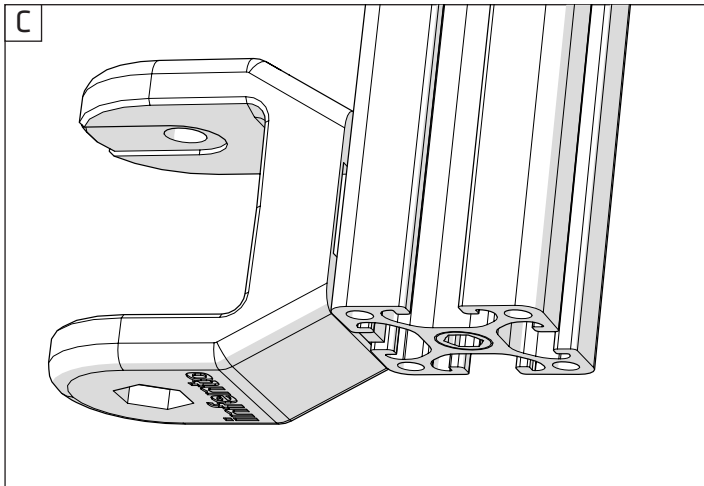
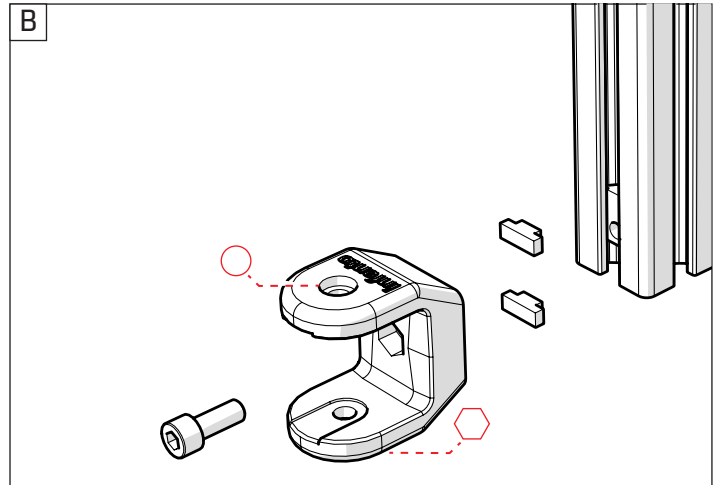
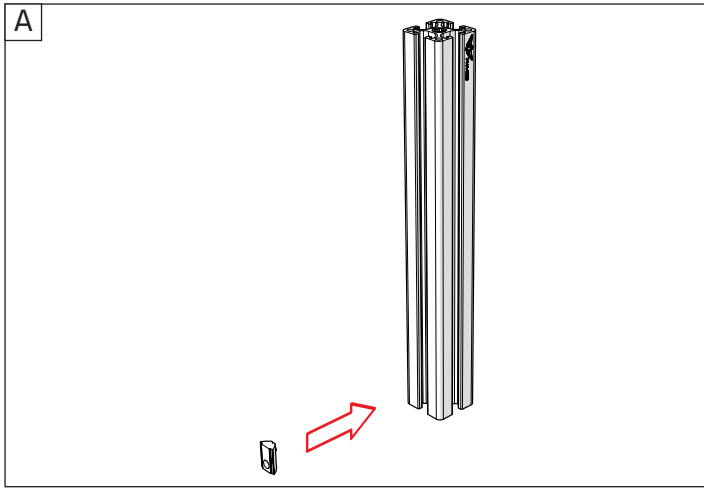
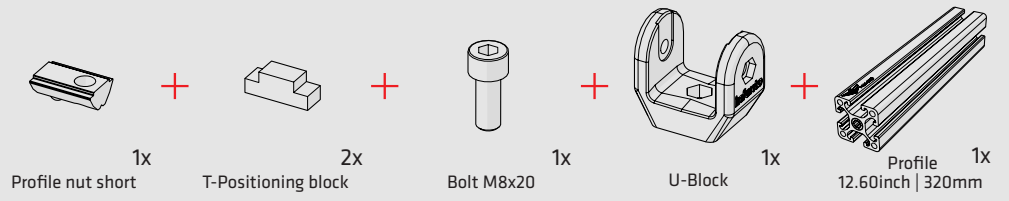
- Bolt M6x25 4x + Locknut M6 4x + Locknut M8 1x + Bolt M8x35 1x + Knurled disc 1 stripe 1x + Axle 4.8inch | 122mm 1x





10

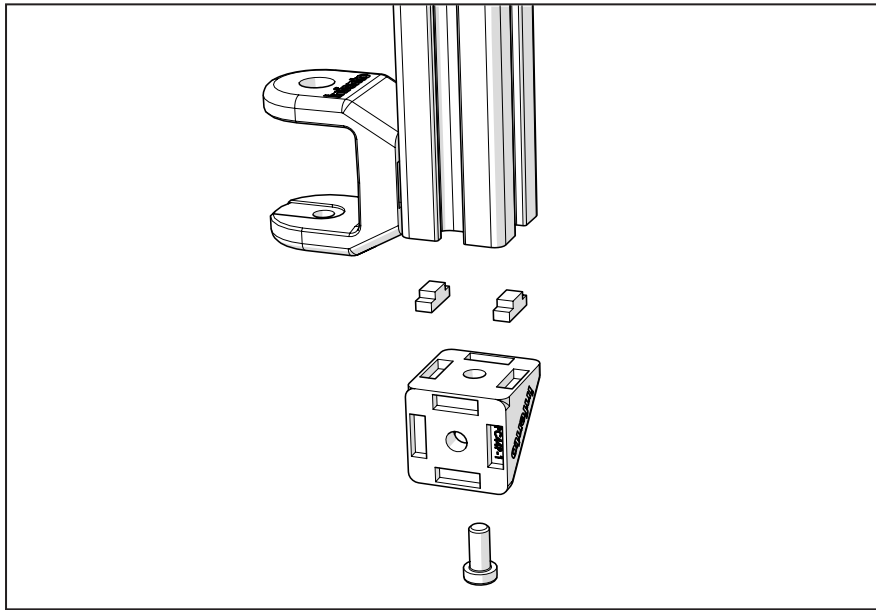
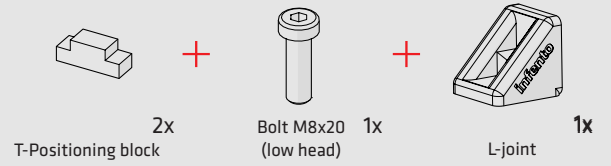
ride TRIMAX



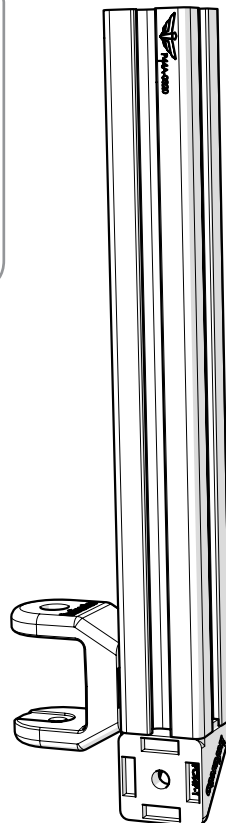


# 11

ride TRIMAX



The positioning blocks are some of the smallest Infento parts but they are also some of the most important. They ensure that everything connects to each other properly and prevents parts twisting and coming loose when under pressure. Therefore, always use at least two positioning blocks per block.

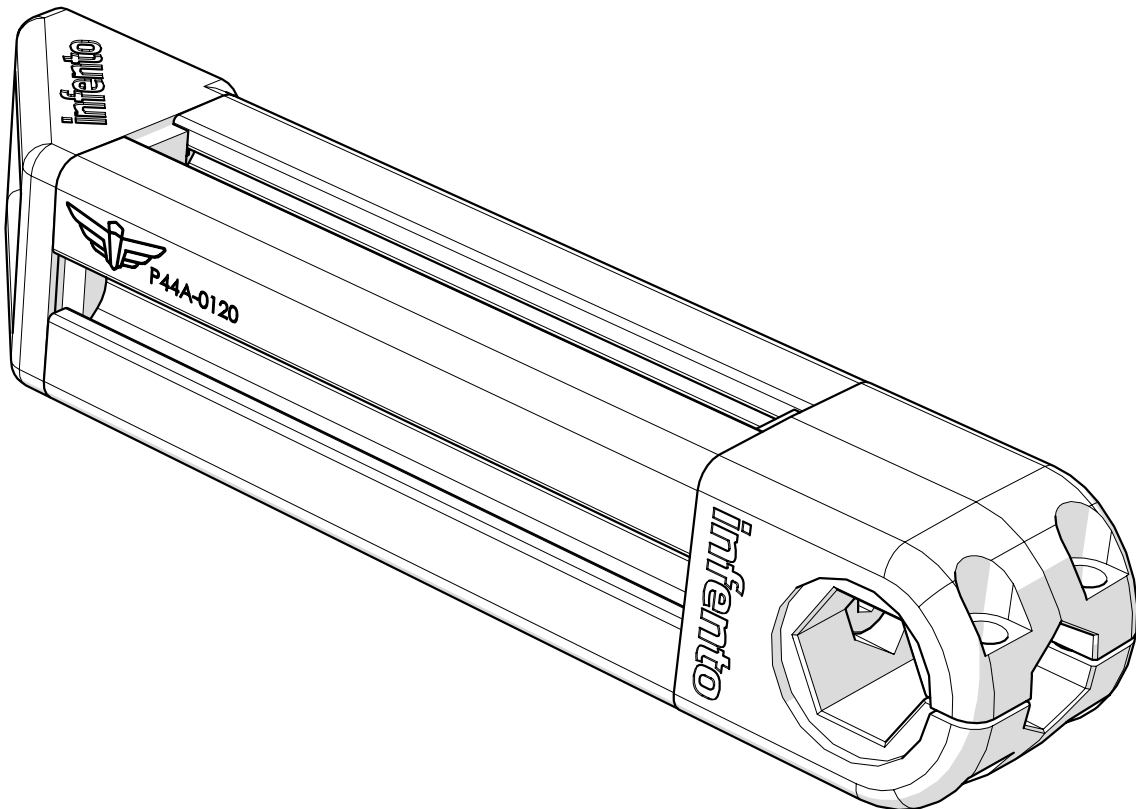
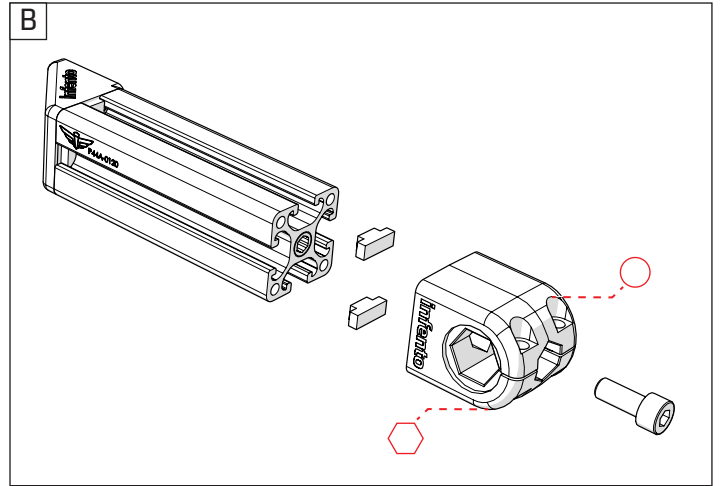
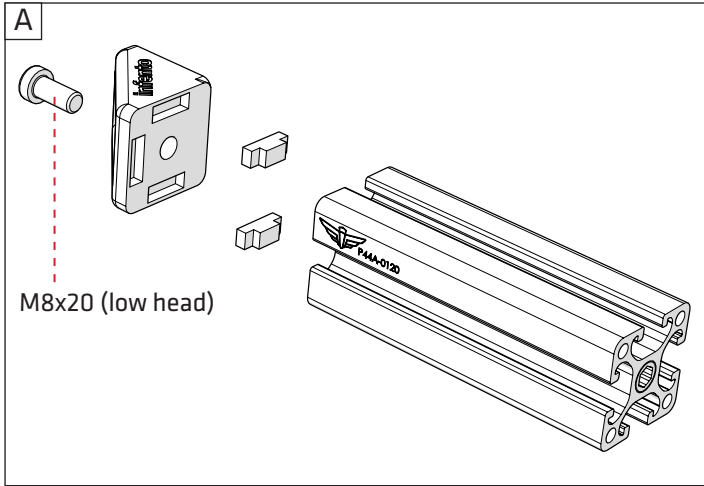




12

ride TRIMAX

- T-Positioning block 4x
- Bolt M8x20 (low head) 1x
- Bolt M8x20 1x
- Axle clamp 1x
- L-joint 1x
- Profile 4.72inch | 120mm 1x

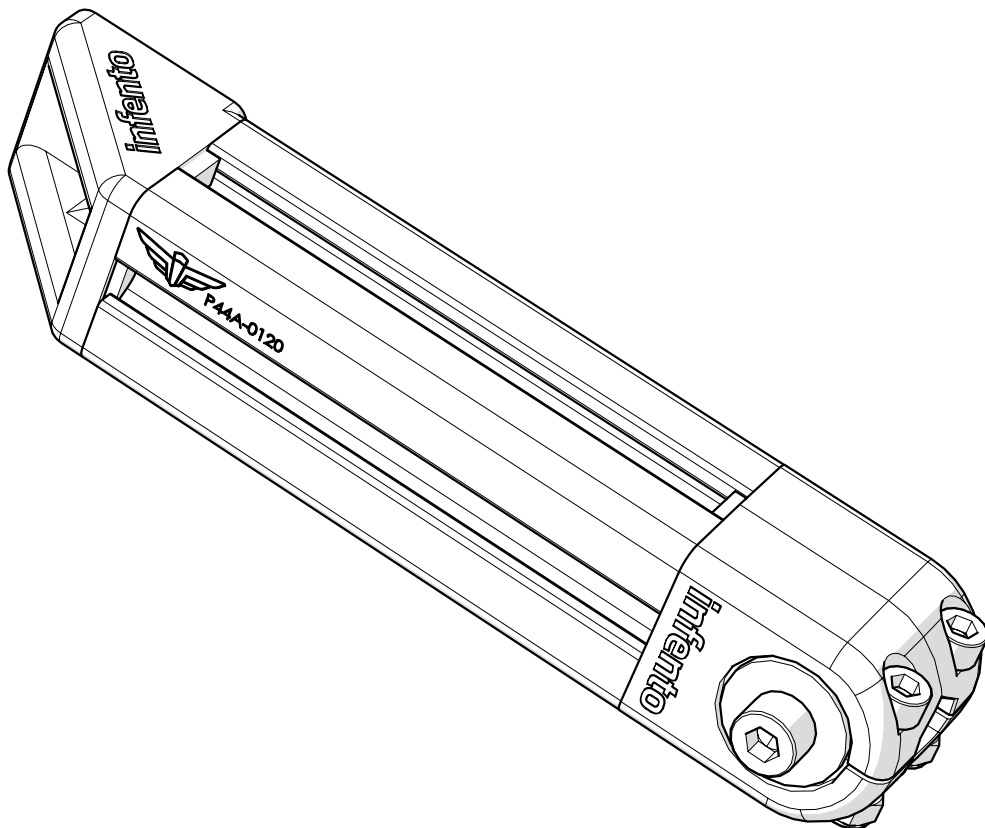
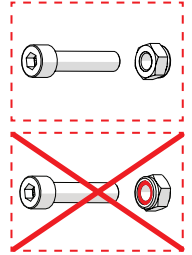
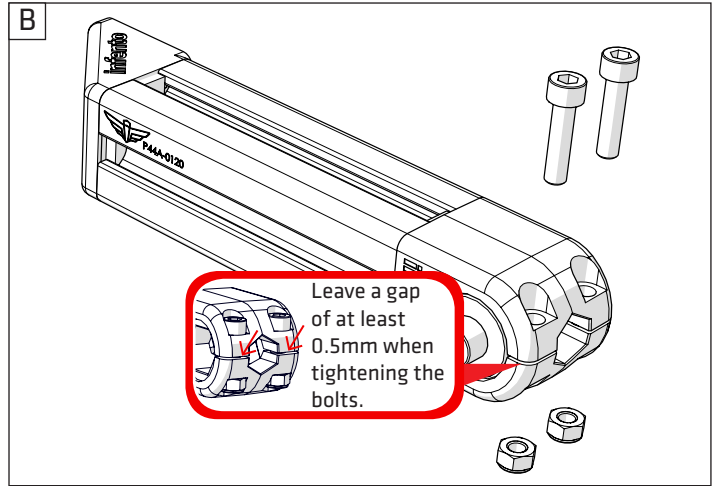
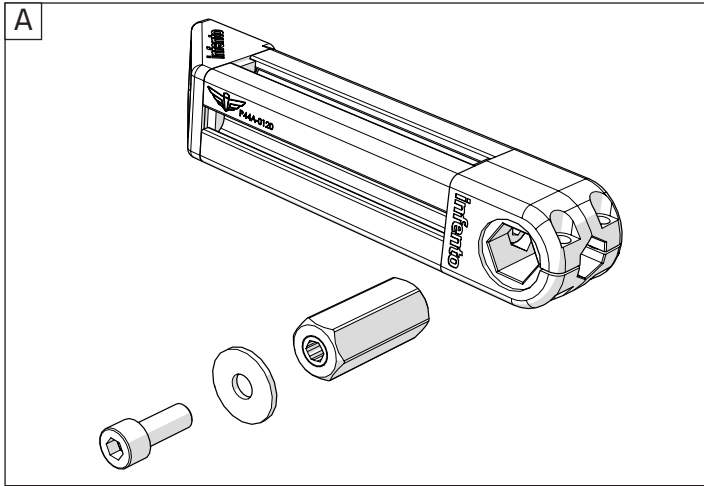




13

ride TRIMAX

- Bolt M6x25 2x
- Locknut M6 2x
- Bolt M8x20 1x
- Washer M8-24 1x
- Axle 1.57inch | 40mm 1x



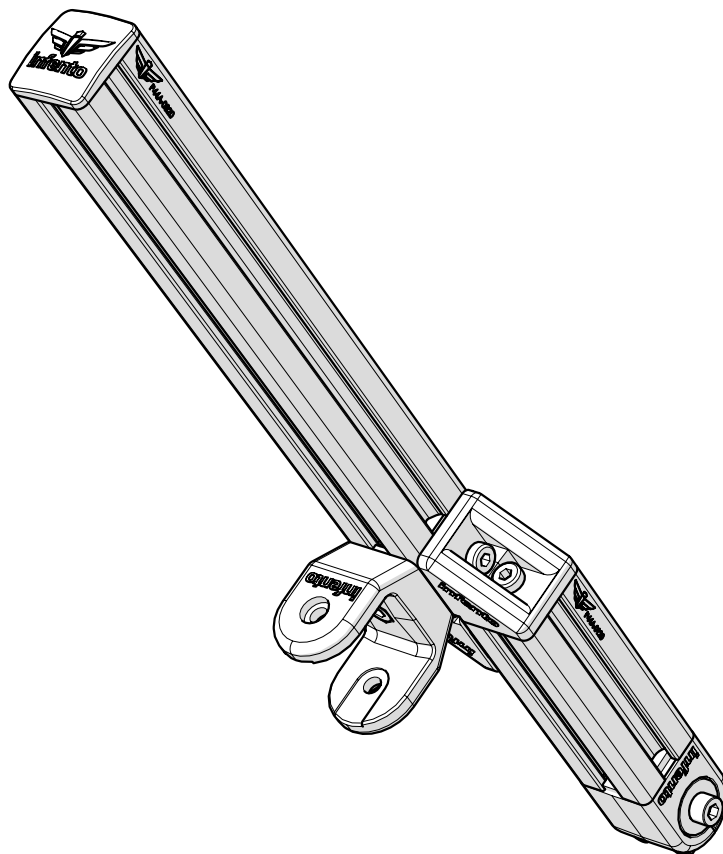
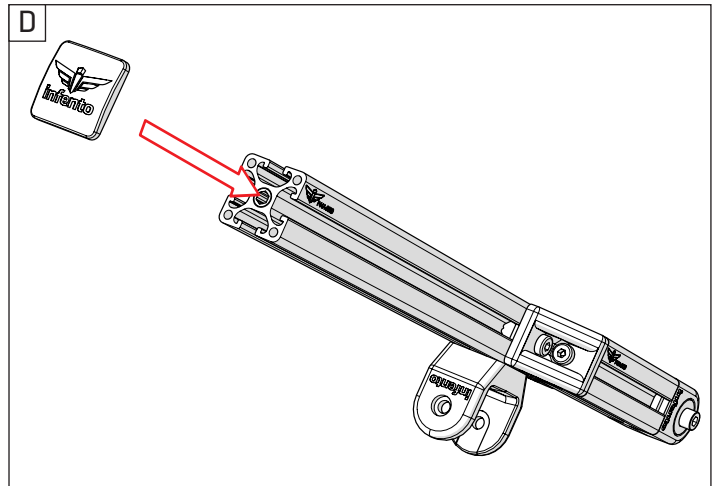
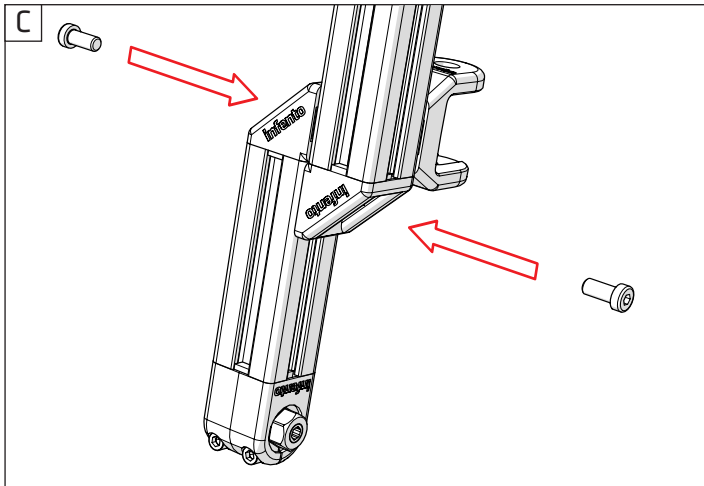
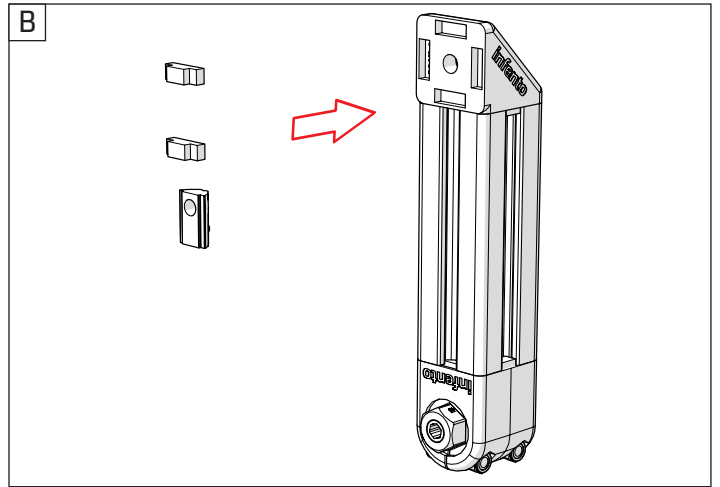
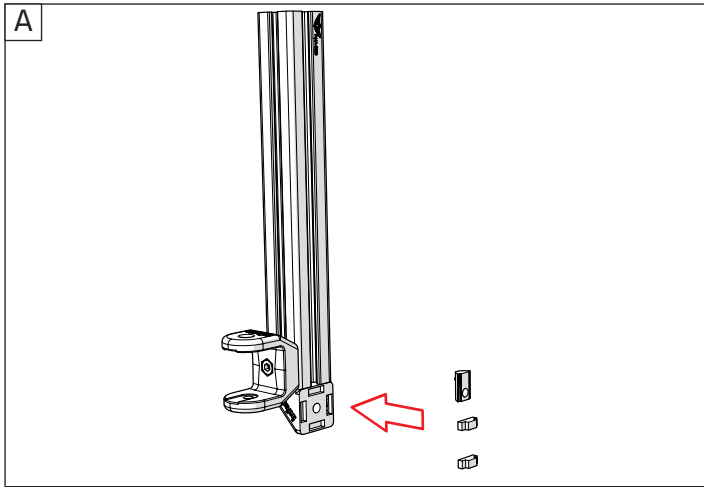




14

ride TRIMAX

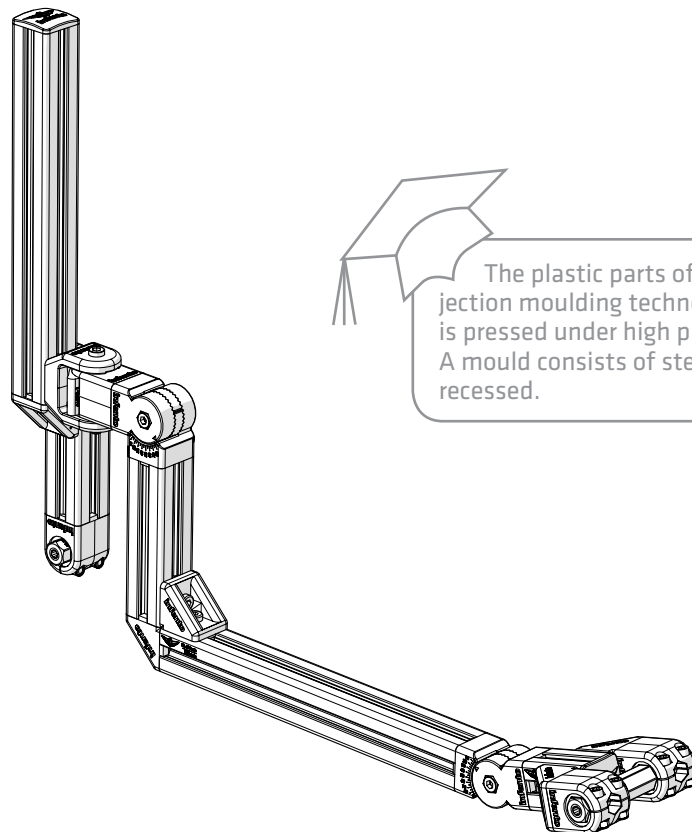
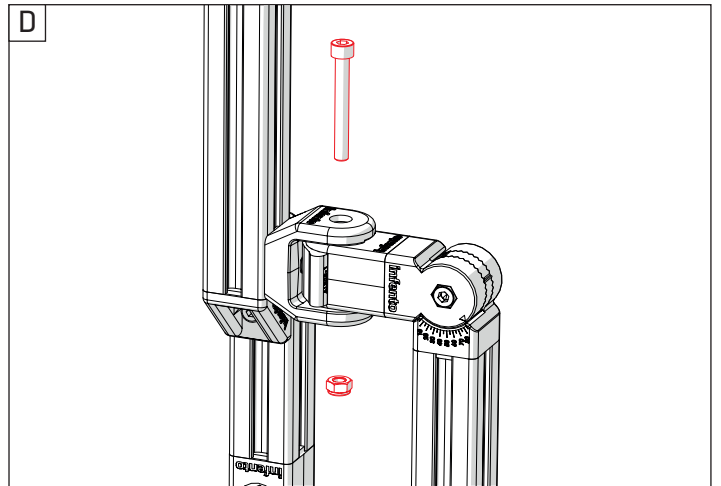
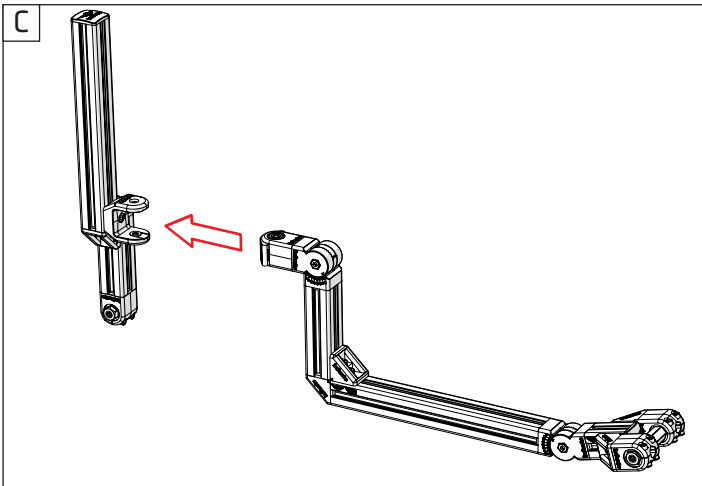
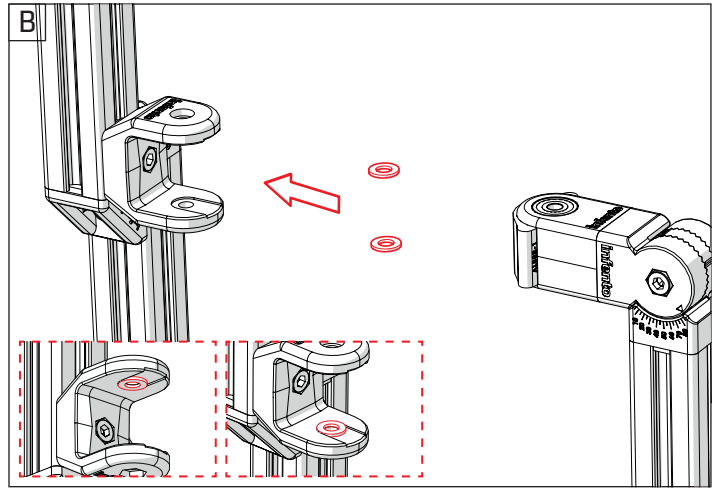
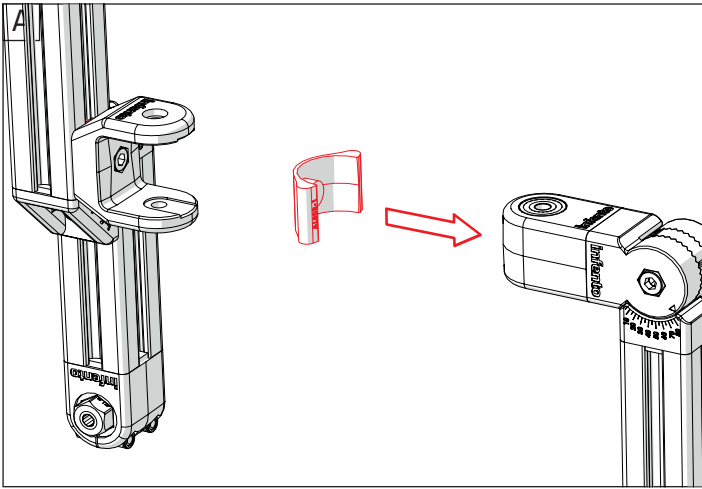
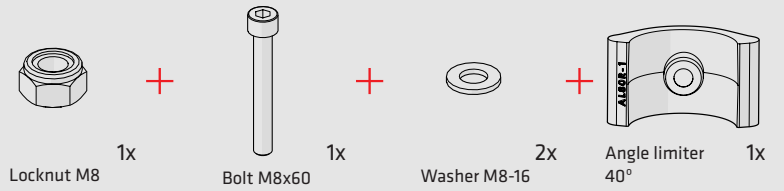
- T-Positioning block 4x
- Profile nut short 2x
- Bolt M8x20 (low head) 2x
- Protect cap 1x





# 15

ride TRIMAX



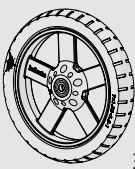


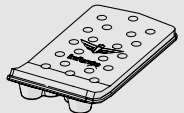


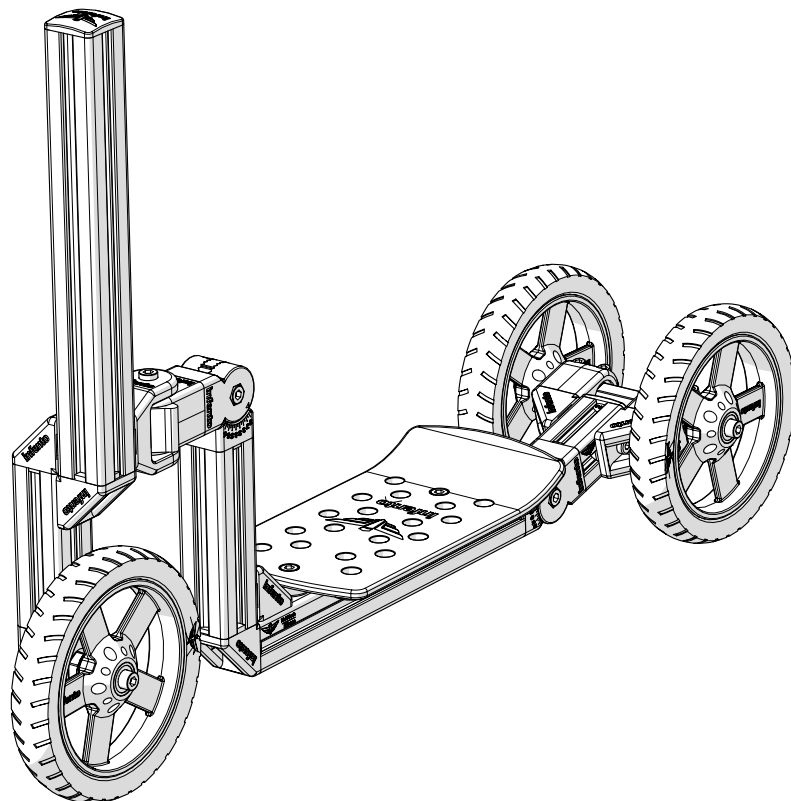
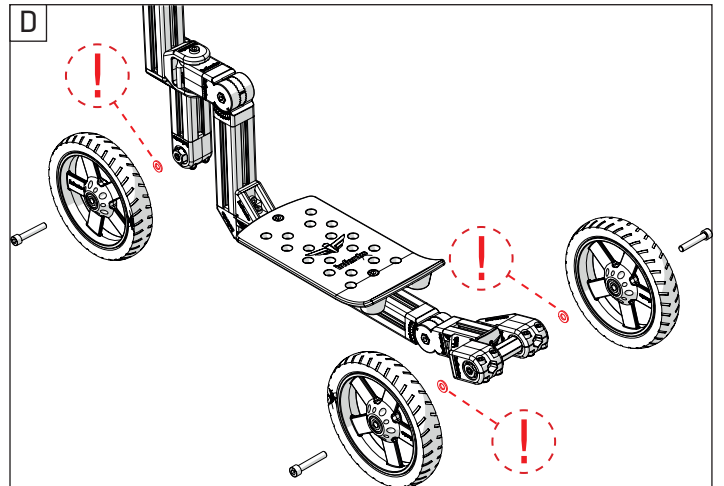
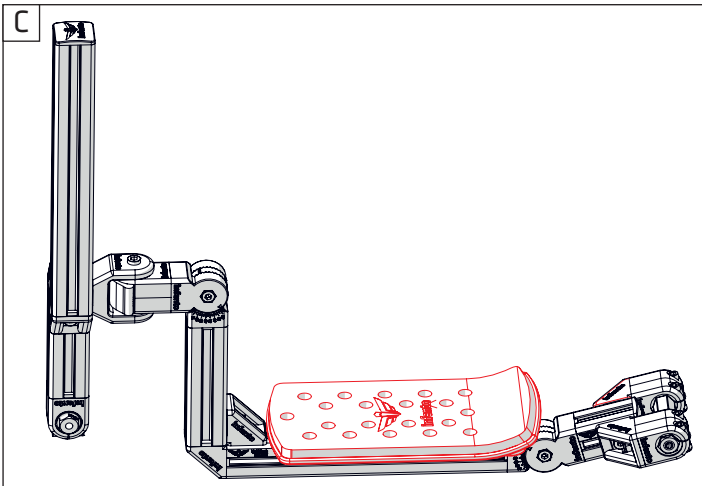
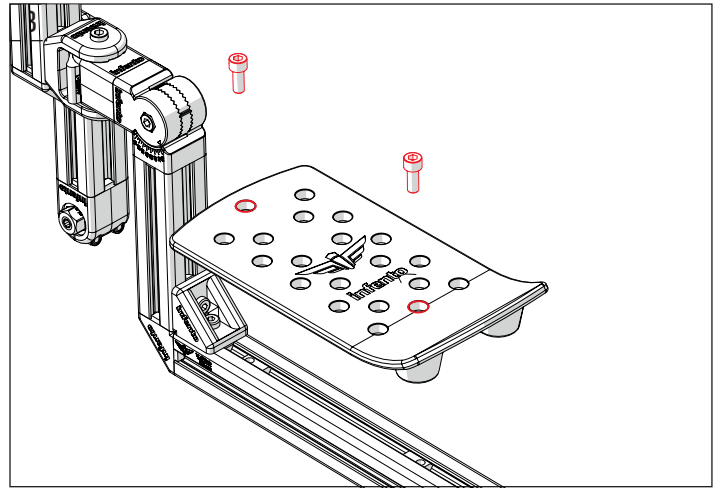
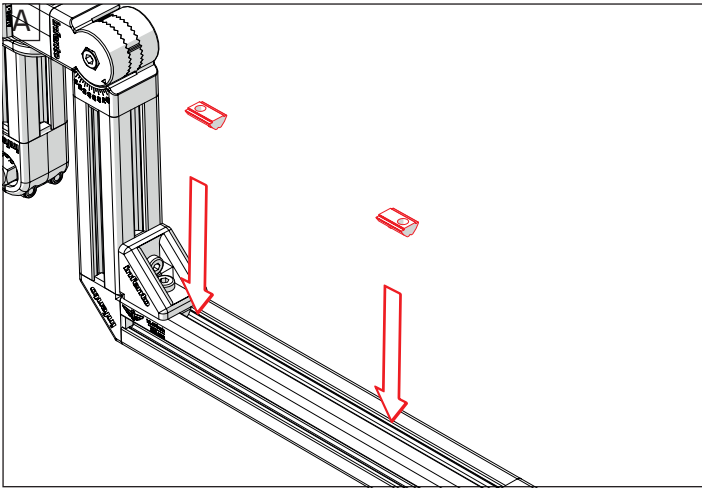
The plastic parts of Infento are made using injection moulding technology where molten plastic is pressed under high pressure into a mould. A mould consists of steel blocks in which a shape is recessed.



# 16

ride **TRIMAX**

-  3x
-  3x
-  3x
-  2x
-  2x
-  1x

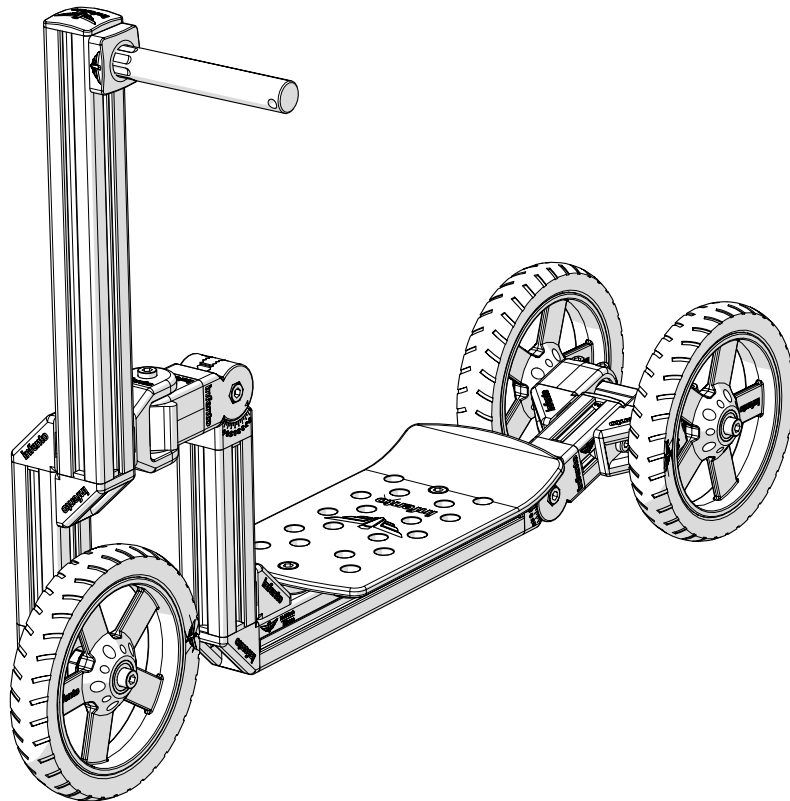
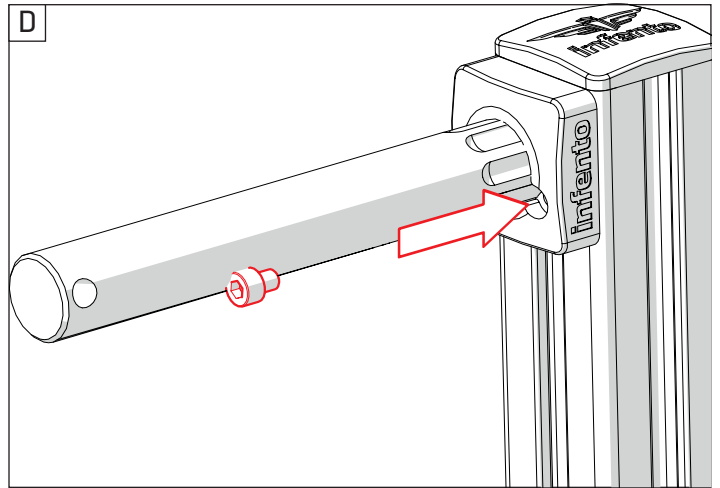
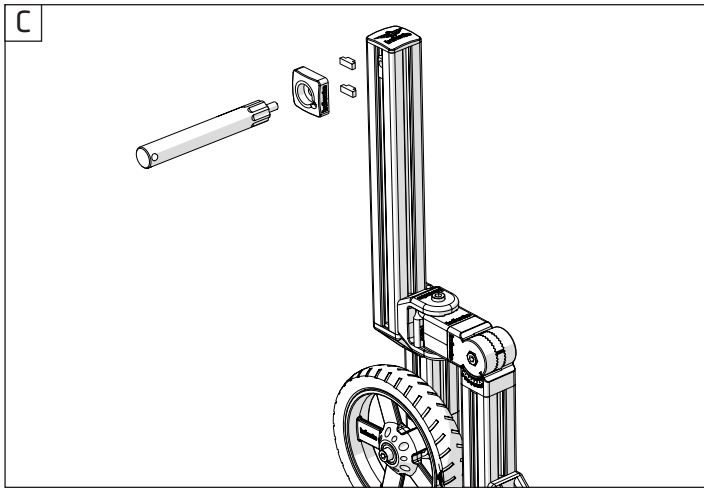
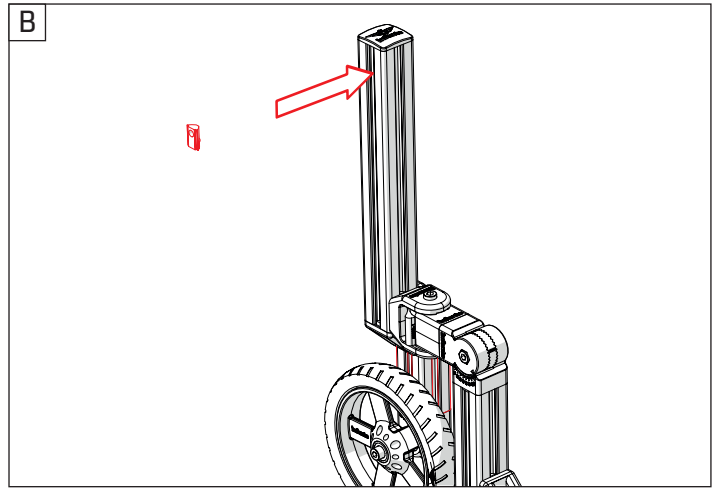
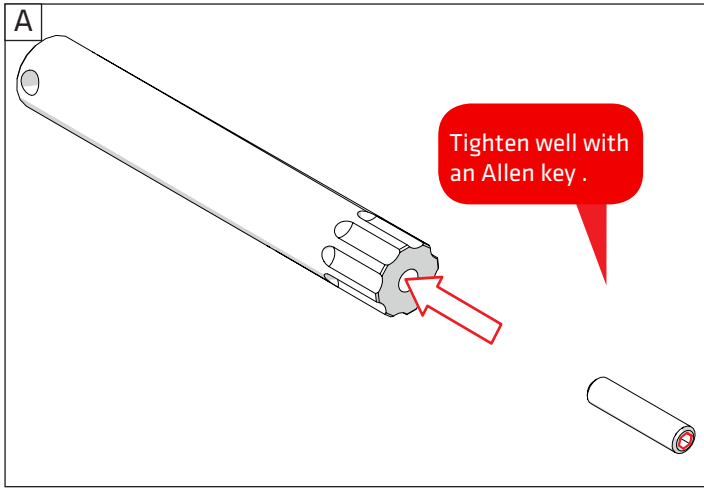




17

ride TRIMAX

- T-Positioning block 2x
- Bolt M5x6 1x
- Adjusting bolt M8x35 1x
- Profile nut short 1x
- Axle plate 1x
- Handlebar short 1x

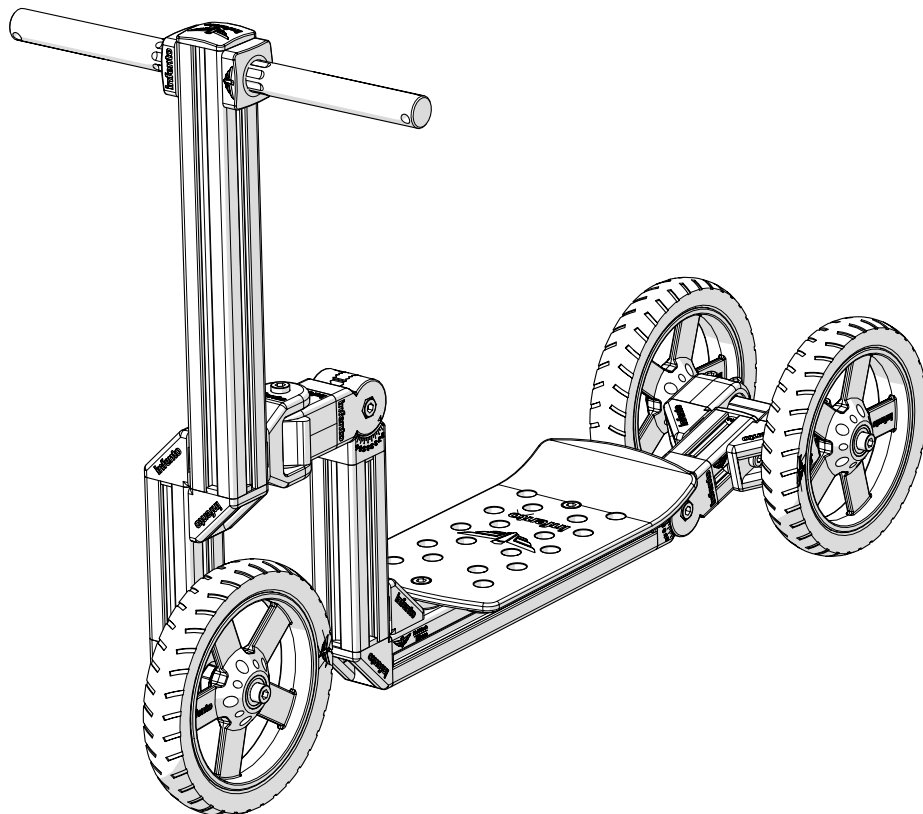
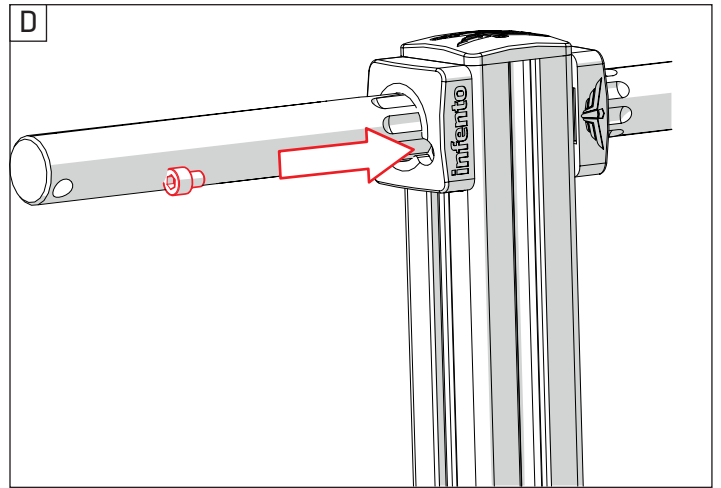
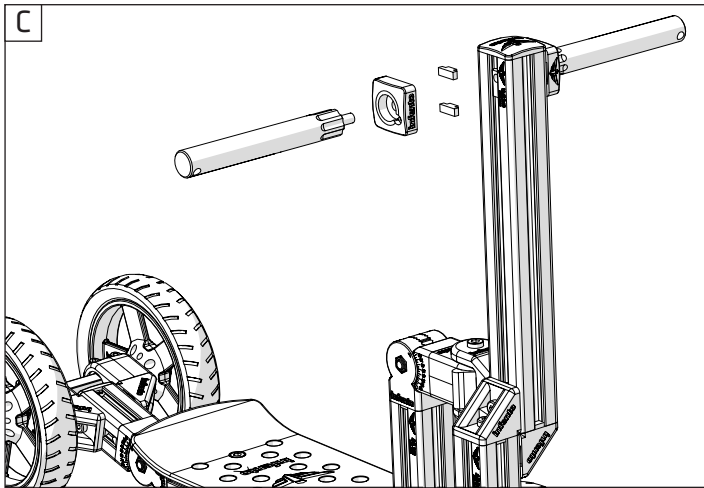
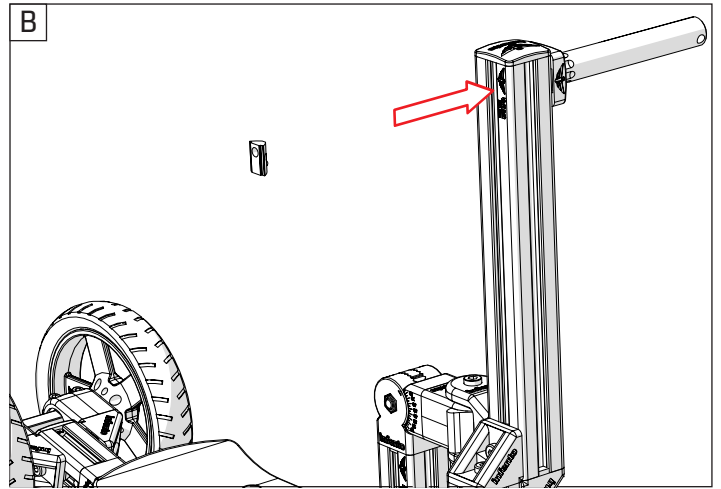
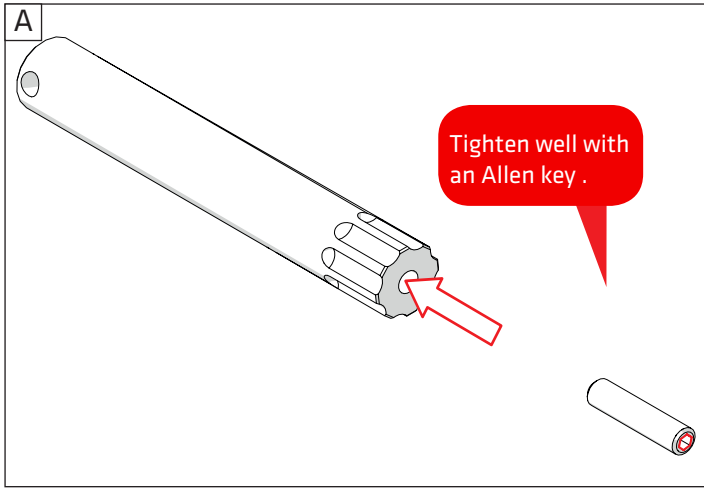




18

ride TRIMAX

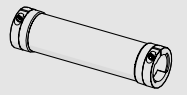
- T-Positioning block 2x
- Bolt M5x6 1x
- Adjusting bolt M8x35 1x
- Profile nut short 1x
- Axle plate 1x
- Handlebar short 1x



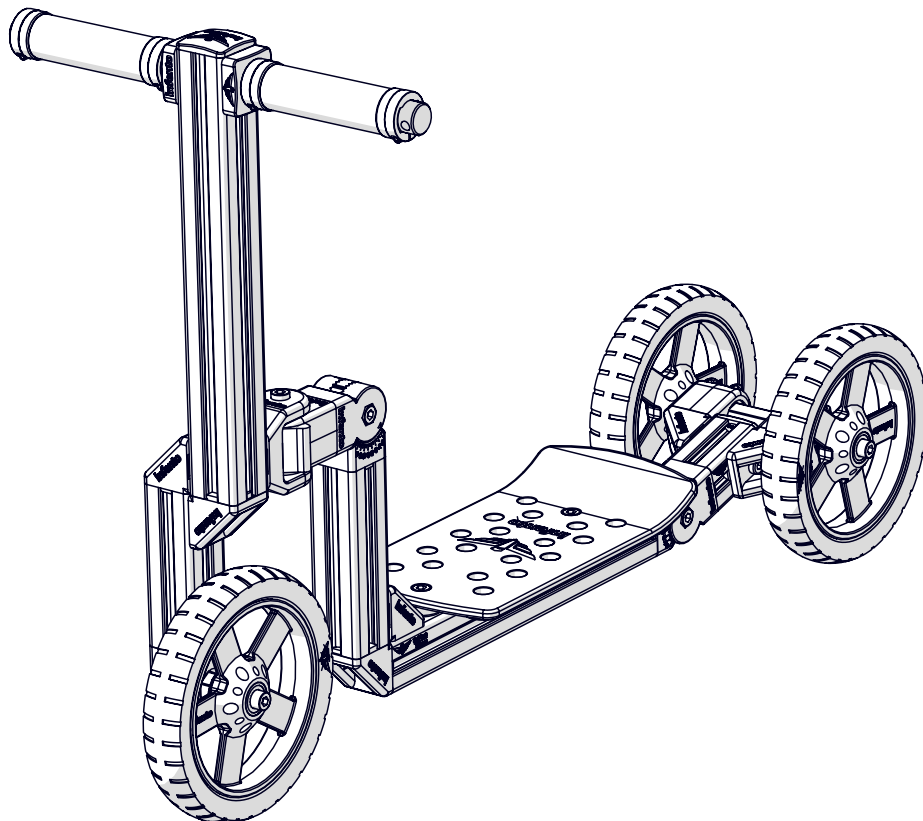
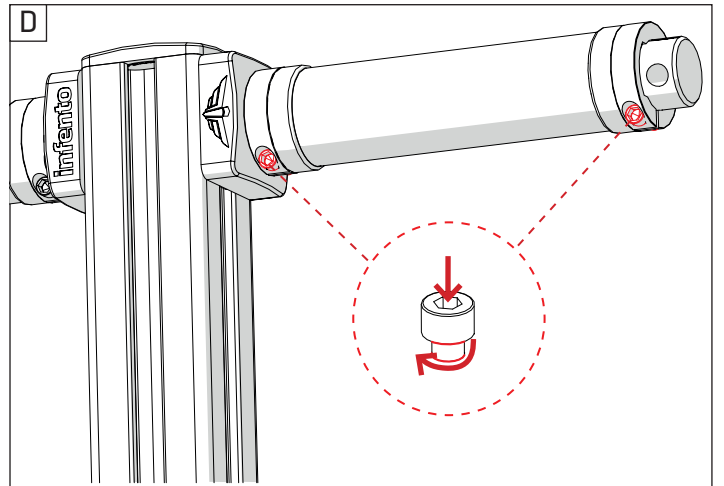
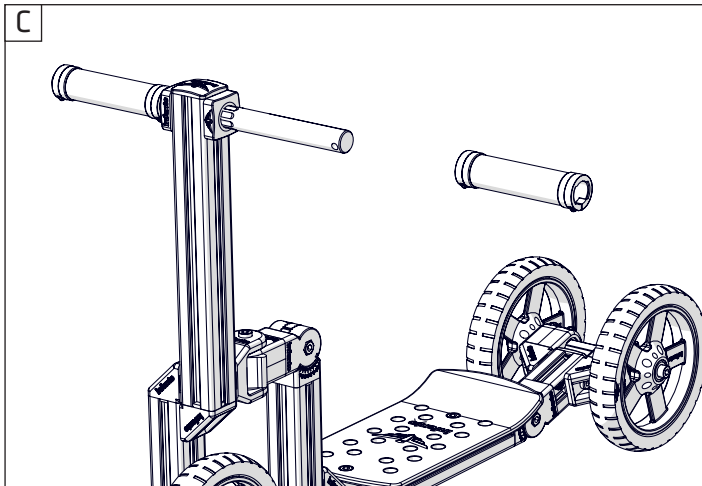
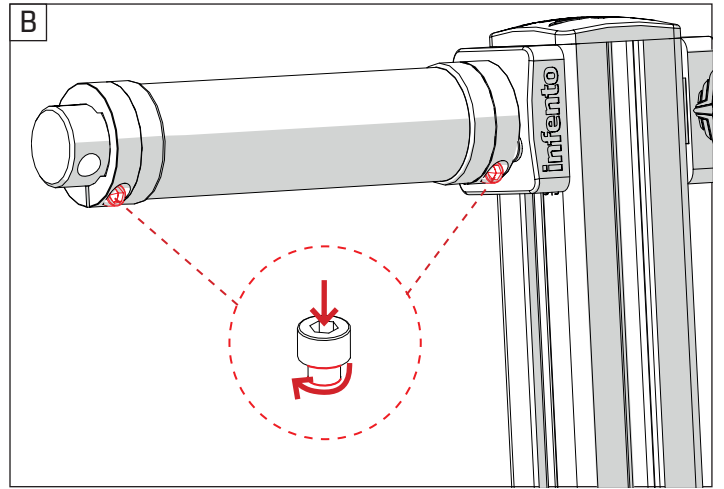
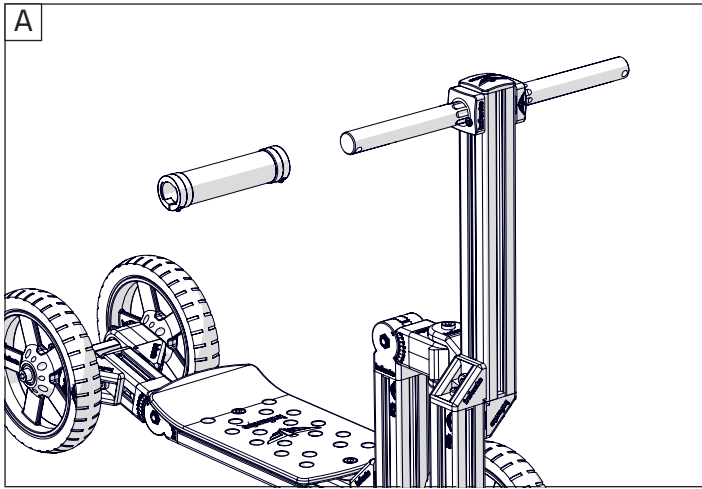


# 19

ride TRIMAX



2x  
Handgrip





# TRIMAX



THANK YOU FOR READING ME!